
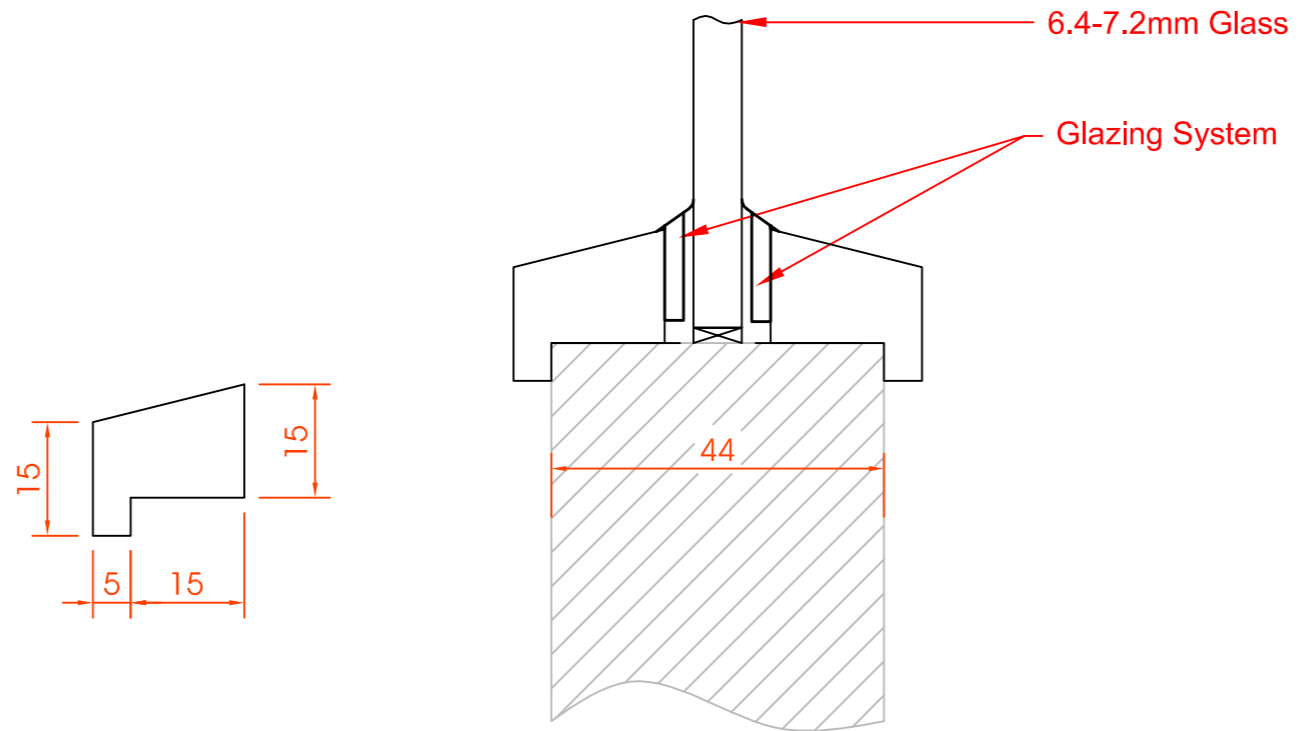


|      |          |       |  |   |   |
|------|----------|-------|--|---|---|
|      |          |       | Notes:   |   |  <p>England and Wales Tel: 0116 278 3506<br/>Scotland and Ireland Tel: 0123 672 0061</p> <p>WEB: <a href="http://www.aspex-uk.co.uk">www.aspex-uk.co.uk</a><br/>E-MAIL: <a href="mailto:sales@aspex-uk.co.uk">sales@aspex-uk.co.uk</a></p> |
|      |          |       | <ol style="list-style-type: none"> <li>1. Do not scale drawings</li> <li>2. Site verify all dimensions prior to construction</li> <li>3. Report all discrepancies to Aspex immediately</li> <li>4. Read in conjunction with all relevant documents and drawings</li> </ol> | TITLE:<br><b>Glazing Bead Type One</b><br><b>Hardwood Bead</b><br><b>NFR - Bolection - 44mm</b> |   |
| REV: | COMMENT: | DATE: |  | DRAWN BY: IS<br>DATE: FEB 2016<br>SCALE: 1:1 @A3  | DWG No. <b>ASP-15001-00-HW</b>  |
|      |          |       |  |   | REV.  |



Notes:

1. Do not scale drawings
2. Site verify all dimensions prior to construction
3. Report all discrepancies to Aspex immediately
4. Read in conjunction with all relevant documents and drawings

TITLE:

Glazing Bead Type One  
 Hardwood Bead  
 FD30S - Bolection - 44mm



England and Wales Tel: 0116 278 3506  
 Scotland and Ireland Tel: 0123 672 0061

WEB: [www.aspex-uk.co.uk](http://www.aspex-uk.co.uk)  
 E-MAIL: [sales@aspex-uk.co.uk](mailto:sales@aspex-uk.co.uk)

REV:

COMMENT:

DATE:

DRAWN BY  
IS

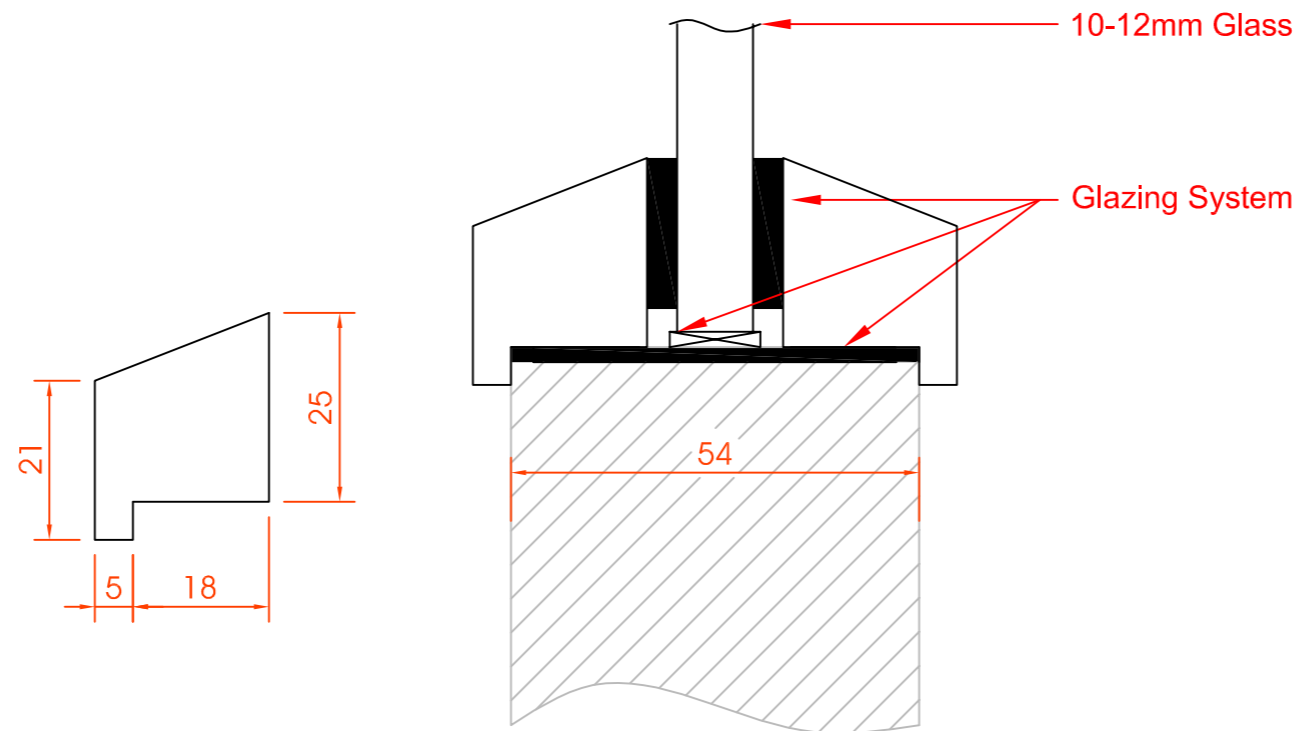
DATE:  
FEB 2016


SCALE  
1:1 @A3

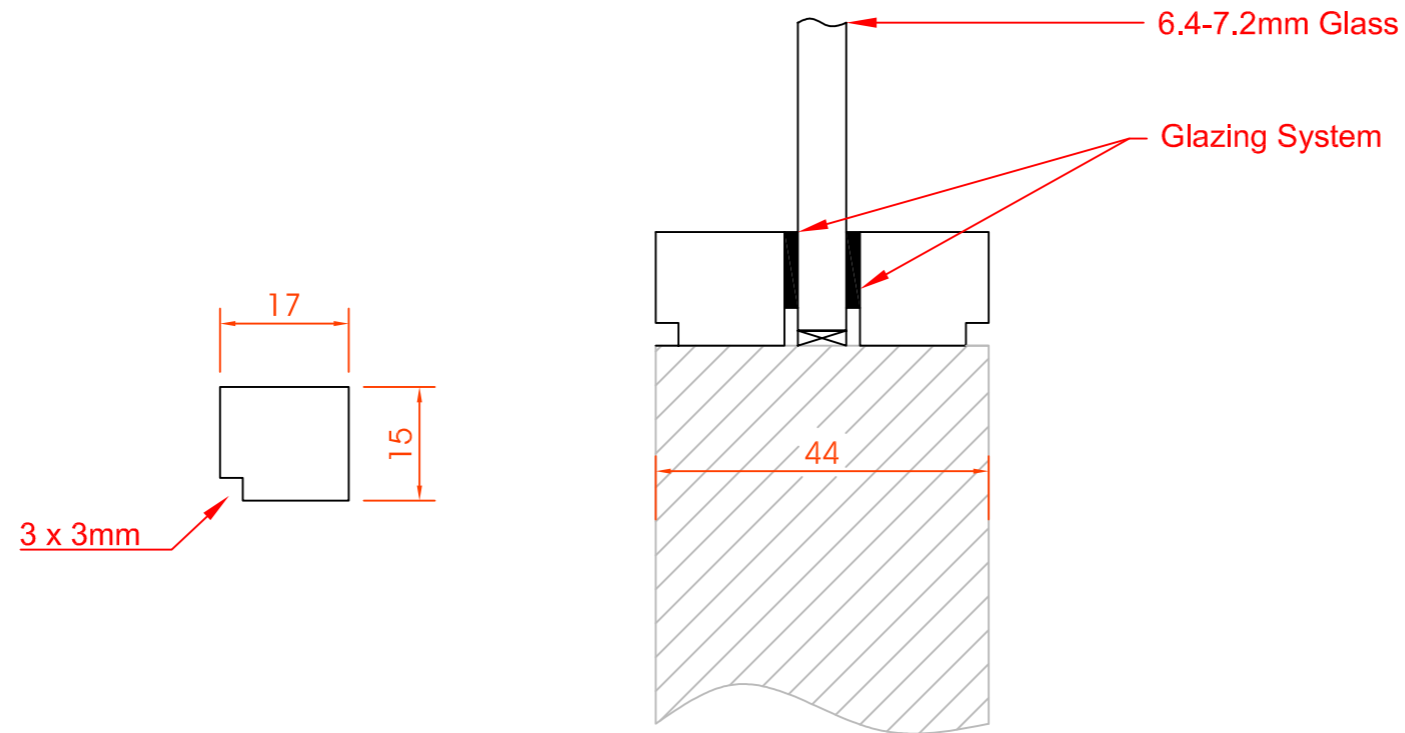
DWG No.


ASP-15001-03-HW

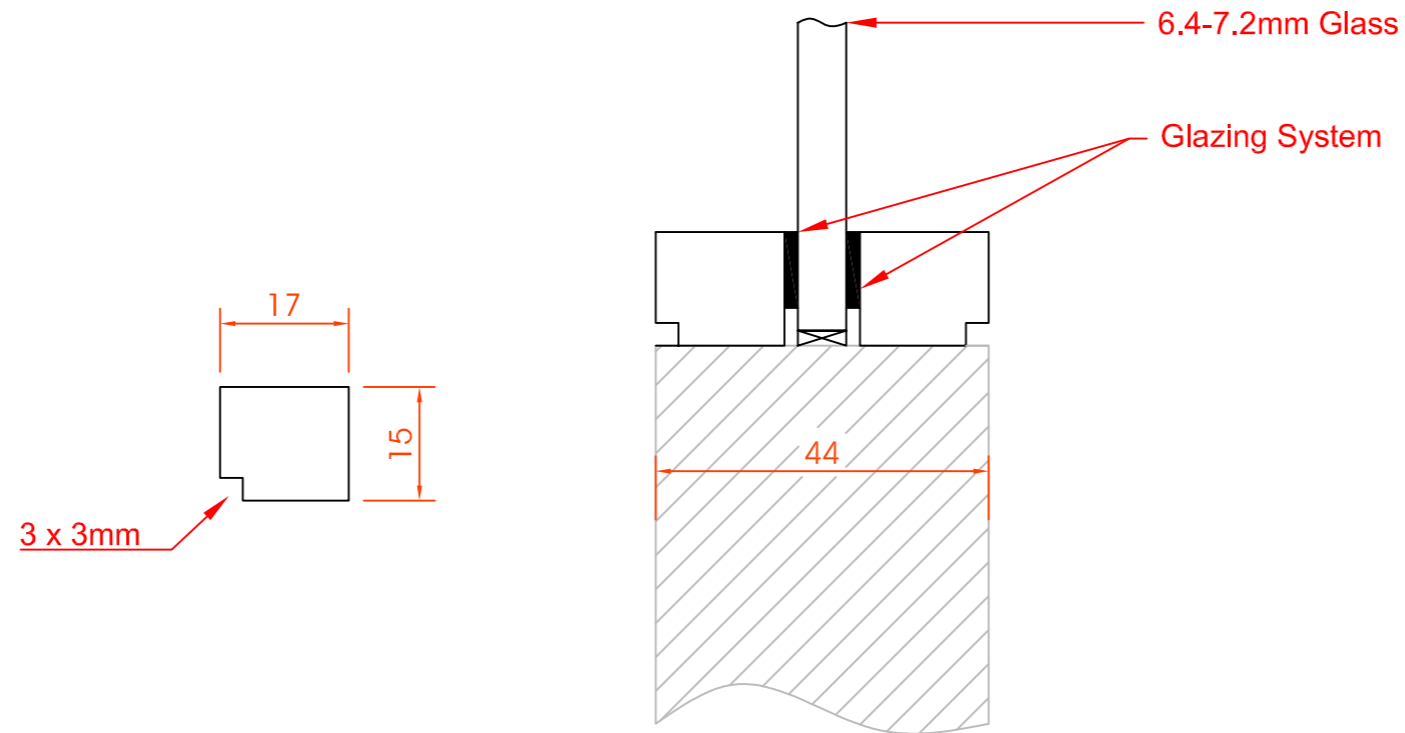
REV.




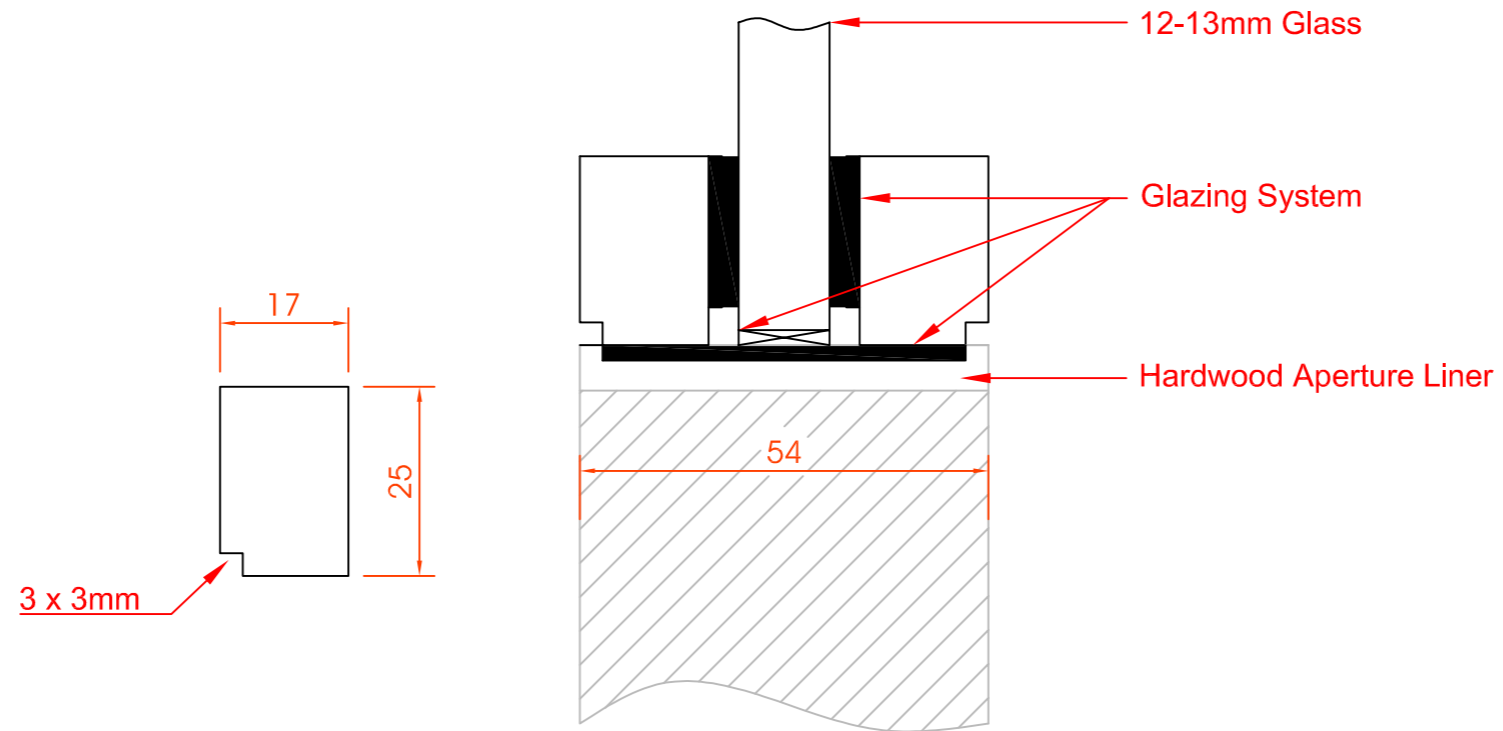
|      |          |       |  |   |   |
|------|----------|-------|--|---|---|
|      |          |       | Notes:   |   |  <p>England and Wales Tel: 0116 278 3506<br/>Scotland and Ireland Tel: 0123 672 0061</p> <p>WEB: <a href="http://www.aspex-uk.co.uk">www.aspex-uk.co.uk</a><br/>E-MAIL: <a href="mailto:sales@aspex-uk.co.uk">sales@aspex-uk.co.uk</a></p> |
|      |          |       | <ol style="list-style-type: none"> <li>1. Do not scale drawings</li> <li>2. Site verify all dimensions prior to construction</li> <li>3. Report all discrepancies to Aspex immediately</li> <li>4. Read in conjunction with all relevant documents and drawings</li> </ol> | TITLE:<br><b>Glazing Bead Type One</b><br><b>Hardwood Bead</b><br><b>FD60S - Bolection - 54mm</b> |   |
| REV: | COMMENT: | DATE: |  | DRAWN BY: IS<br>DATE: FEB 2016<br>SCALE: 1:1 @A3  | DWG No. <b>ASP-15001-06-HW</b>  |
|      |          |       |  |   | REV.  |




|      |          |       |  |   |   |
|------|----------|-------|--|---|---|
|      |          |       | Notes:   |   |  <p>England and Wales Tel: 0116 278 3506<br/>Scotland and Ireland Tel: 0123 672 0061</p> <p>WEB: <a href="http://www.aspex-uk.co.uk">www.aspex-uk.co.uk</a><br/>E-MAIL: <a href="mailto:sales@aspex-uk.co.uk">sales@aspex-uk.co.uk</a></p> |
|      |          |       | <ol style="list-style-type: none"> <li>1. Do not scale drawings</li> <li>2. Site verify all dimensions prior to construction</li> <li>3. Report all discrepancies to Aspex immediately</li> <li>4. Read in conjunction with all relevant documents and drawings</li> </ol> | TITLE:<br><b>Glazing Bead Type Two</b><br><b>Hardwood Bead</b><br><b>NFR - Flush - 44mm</b> |   |
| REV: | COMMENT: | DATE: |  | DRAWN BY: IS<br>DATE: FEB 2016<br>SCALE: 1:1 @A3  | DWG No. <b>ASP-15002-00-HW</b>  |
|      |          |       |  |   | REV.  |



|      |          |       |  |   |   |
|------|----------|-------|--|---|---|
|      |          |       | Notes:   |   |  <p>England and Wales Tel: 0116 278 3506<br/>Scotland and Ireland Tel: 0123 672 0061</p> <p>WEB: <a href="http://www.aspex-uk.co.uk">www.aspex-uk.co.uk</a><br/>E-MAIL: <a href="mailto:sales@aspex-uk.co.uk">sales@aspex-uk.co.uk</a></p> |
|      |          |       | <ol style="list-style-type: none"> <li>1. Do not scale drawings</li> <li>2. Site verify all dimensions prior to construction</li> <li>3. Report all discrepancies to Aspex immediately</li> <li>4. Read in conjunction with all relevant documents and drawings</li> </ol> | TITLE:<br><b>Glazing Bead Type Two</b><br><b>Hardwood Bead</b><br><b>FD30S - Flush - 44mm</b> |   |
| REV: | COMMENT: | DATE: |  | DRAWN BY: IS<br>DATE: FEB 2016<br>SCALE: 1:1 @A3  | DWG No. <b>ASP-15002-03-HW</b>  |
|      |          |       |  |   | REV.  |



|      |          |       |  |  |   |
|------|----------|-------|--|--|---|
|      |          |       | Notes:   |  |  <p>England and Wales Tel: 0116 278 3506<br/>Scotland and Ireland Tel: 0123 672 0061</p> <p>WEB: <a href="http://www.aspex-uk.co.uk">www.aspex-uk.co.uk</a><br/>E-MAIL: <a href="mailto:sales@aspex-uk.co.uk">sales@aspex-uk.co.uk</a></p> |
|      |          |       | <ol style="list-style-type: none"> <li>1. Do not scale drawings</li> <li>2. Site verify all dimensions prior to construction</li> <li>3. Report all discrepancies to Aspex immediately</li> <li>4. Read in conjunction with all relevant documents and drawings</li> </ol> | <p>TITLE:</p> <p><b>Glazing Bead Type Two</b><br/><b>Hardwood Bead</b><br/><b>FD60S - Flush - 54mm</b></p> |   |
| REV: | COMMENT: | DATE: |  | <p>DRAWN BY: IS</p> <p>DATE: FEB 2016</p> <p>SCALE: 1:1 @A3</p>  | <p>DWG No. <b>ASP-15002-06-HW</b></p>   |
|      |          |       |  |  | <p>REV.</p>   |