

Dorma EM500A And MAG
Magnetic Hold Open

15mm Packer

Notes:

1. Do not scale drawings
2. Site verify all dimensions prior to construction
3. Report all discrepancies to Aspex immediately
4. Read in conjunction with all relevant documents and drawings

TITLE:
Frame Type Five
Hardwood Frame
Pocket Door Installation - FD30 - Hold Open

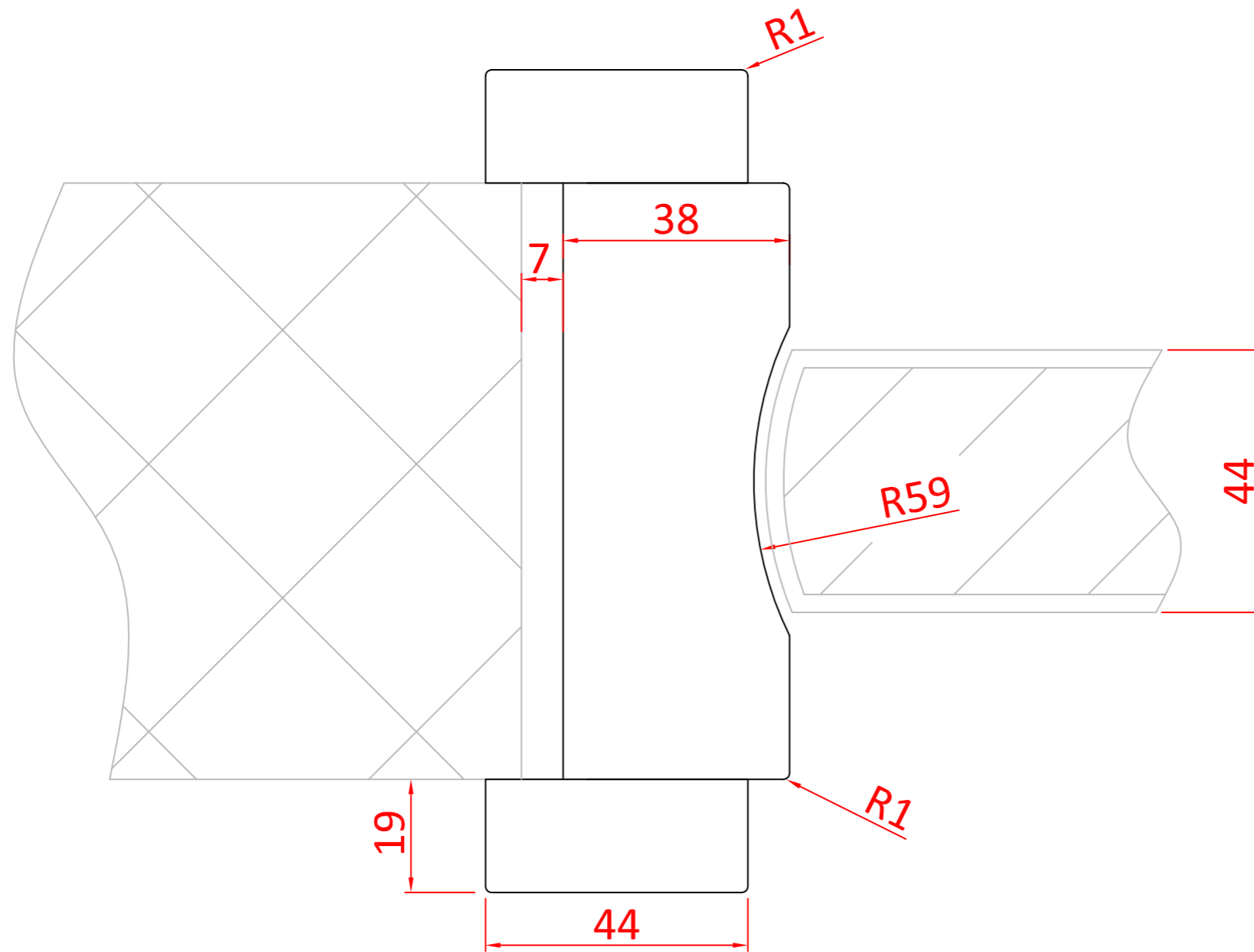



England and Wales Tel: 0116 278 3506
 Scotland and Ireland Tel: 0123 672 0061
 WEB: www.aspex-uk.co.uk
 E-MAIL: sales@aspex-uk.co.uk

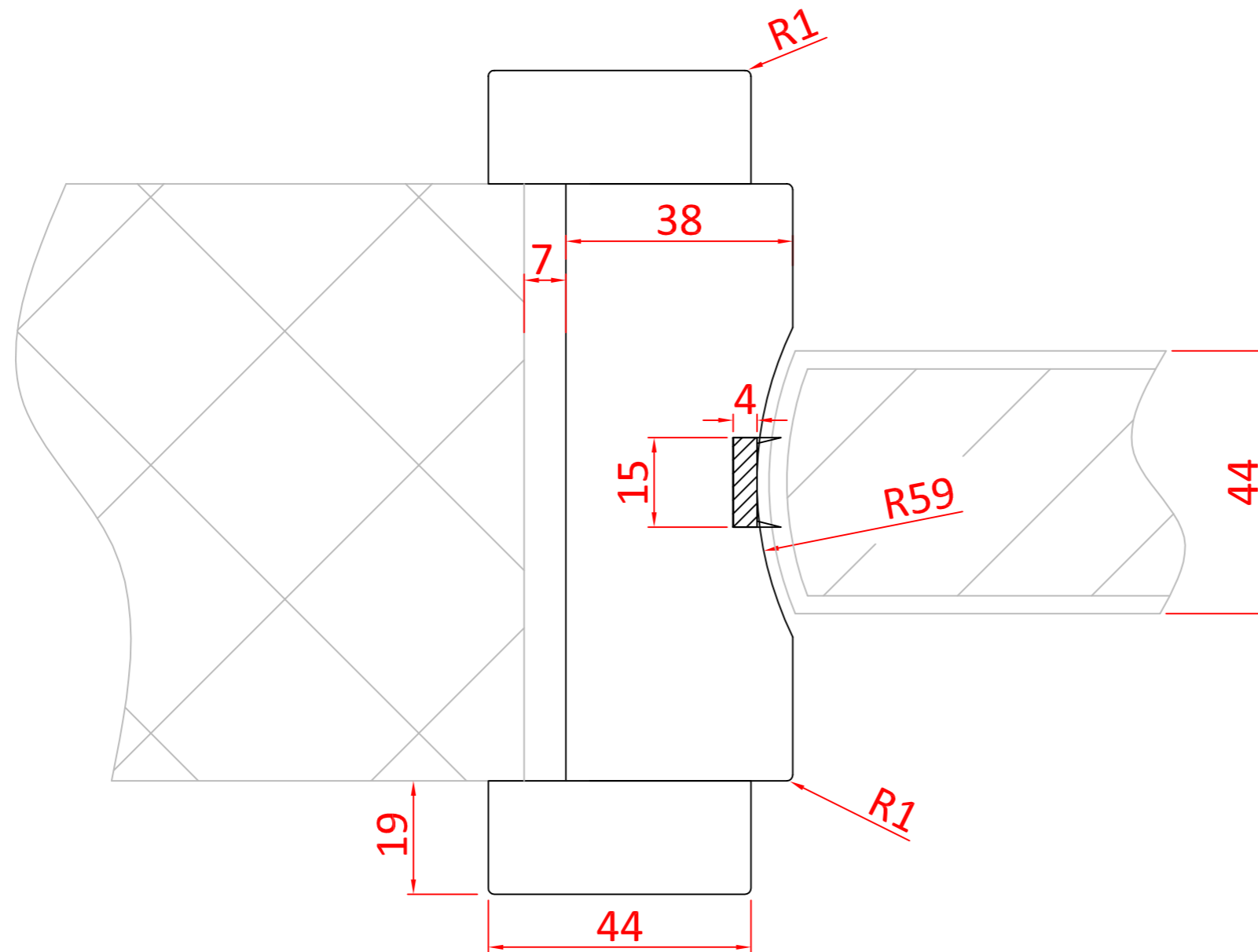
REV:	COMMENT:	DATE:


DRAWN BY: IS DATE: 23 Mar 2016 SCALE: 1:4 & 1:10 @A3

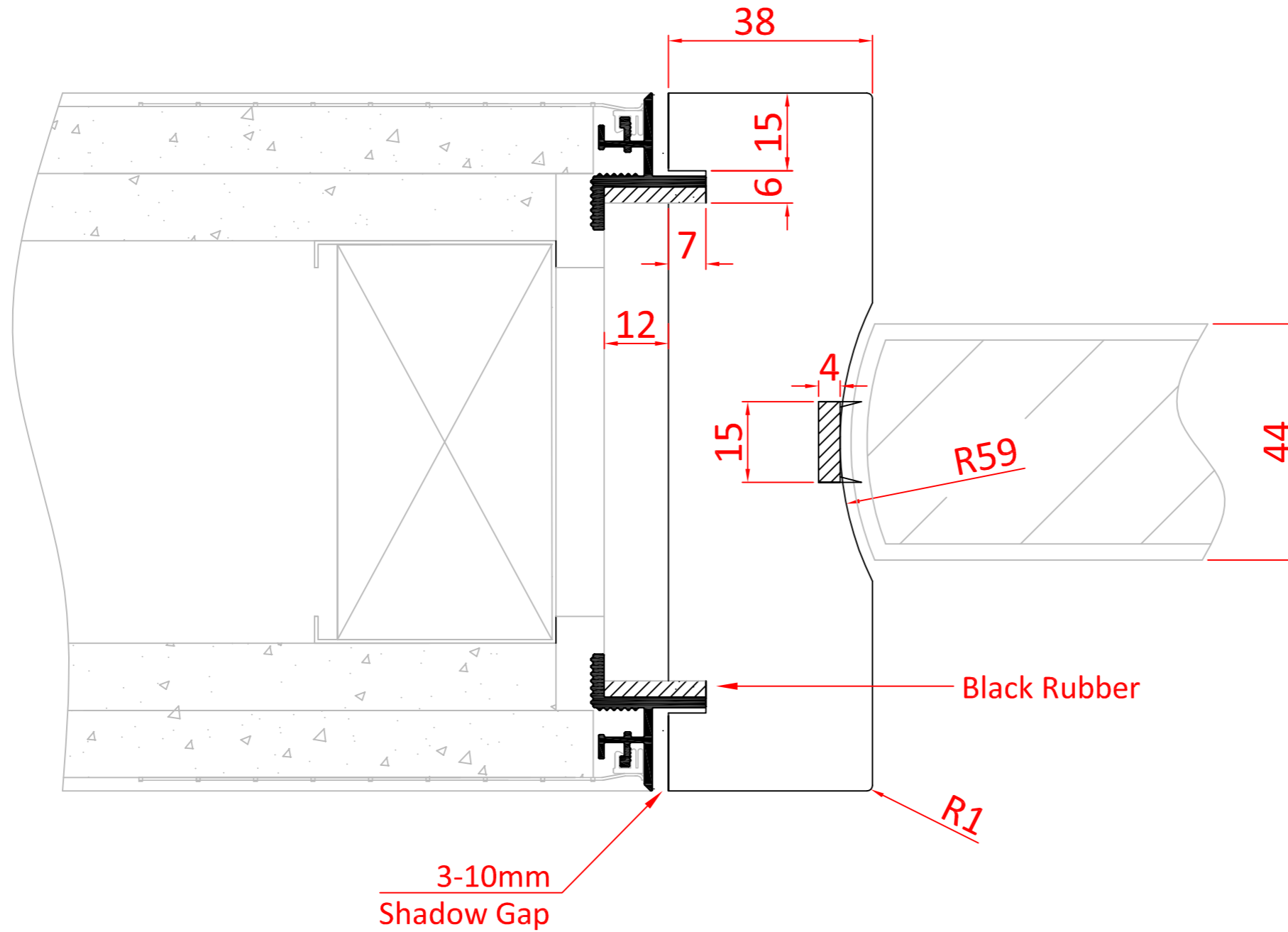
DWG No. **ASP-10502-03-HSW** REV.




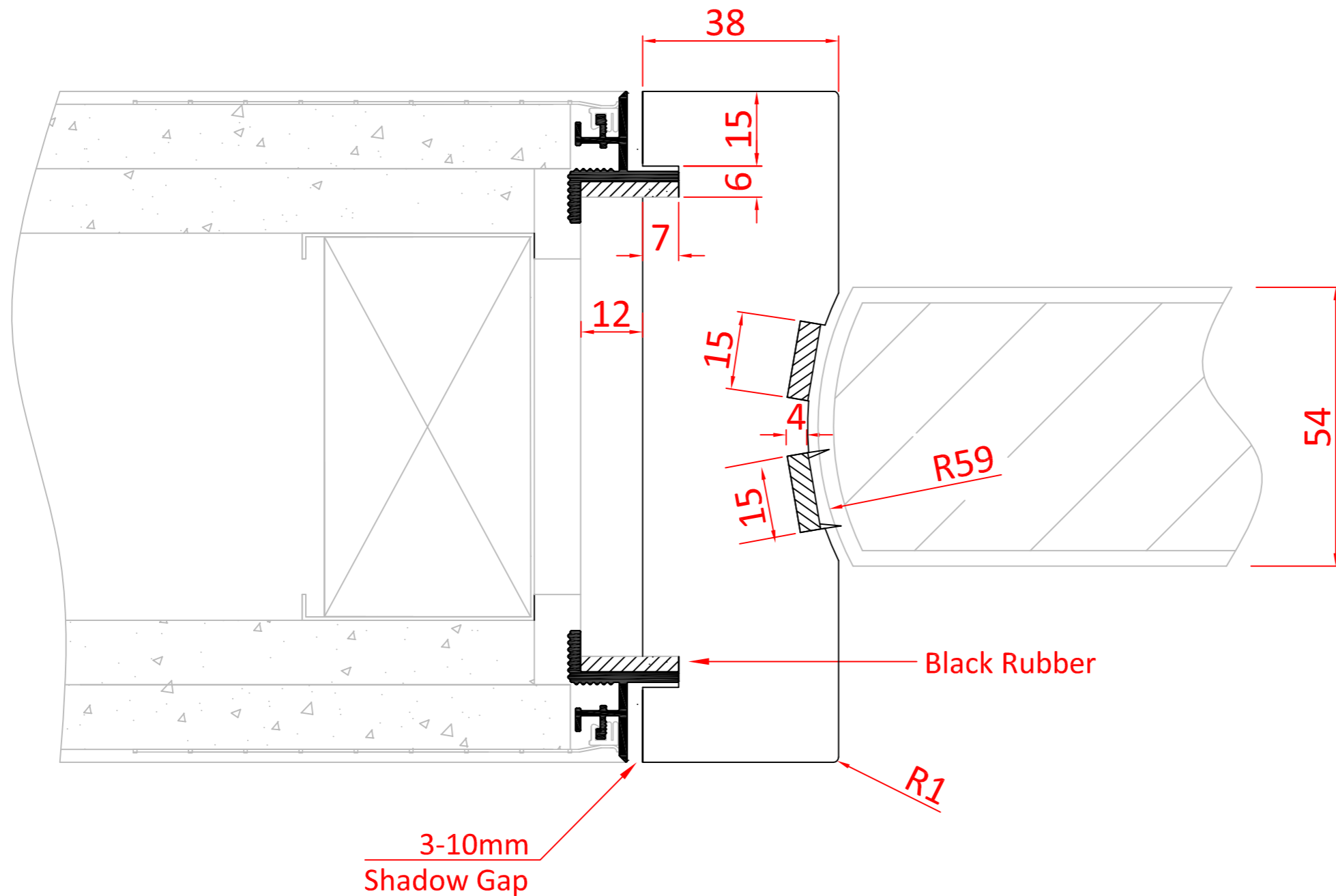
			Notes:		 <p>England and Wales Tel: 0116 278 3506 Scotland and Ireland Tel: 0123 672 0061</p> <p>WEB: www.aspex-uk.co.uk E-MAIL: sales@aspex-uk.co.uk</p>
			<ol style="list-style-type: none"> 1. Do not scale drawings 2. Site verify all dimensions prior to construction 3. Report all discrepancies to Aspex immediately 4. Read in conjunction with all relevant documents and drawings 	TITLE: Frame Type Five Hardwood and Softwood Plain Frame Double Swing - NFR - No dB	
REV:	COMMENT:	DATE:		DRAWN BY: IS DATE: FEB 2016 SCALE: 1:1@A3	DWG No. ASP-10501-00-HSW
					REV.




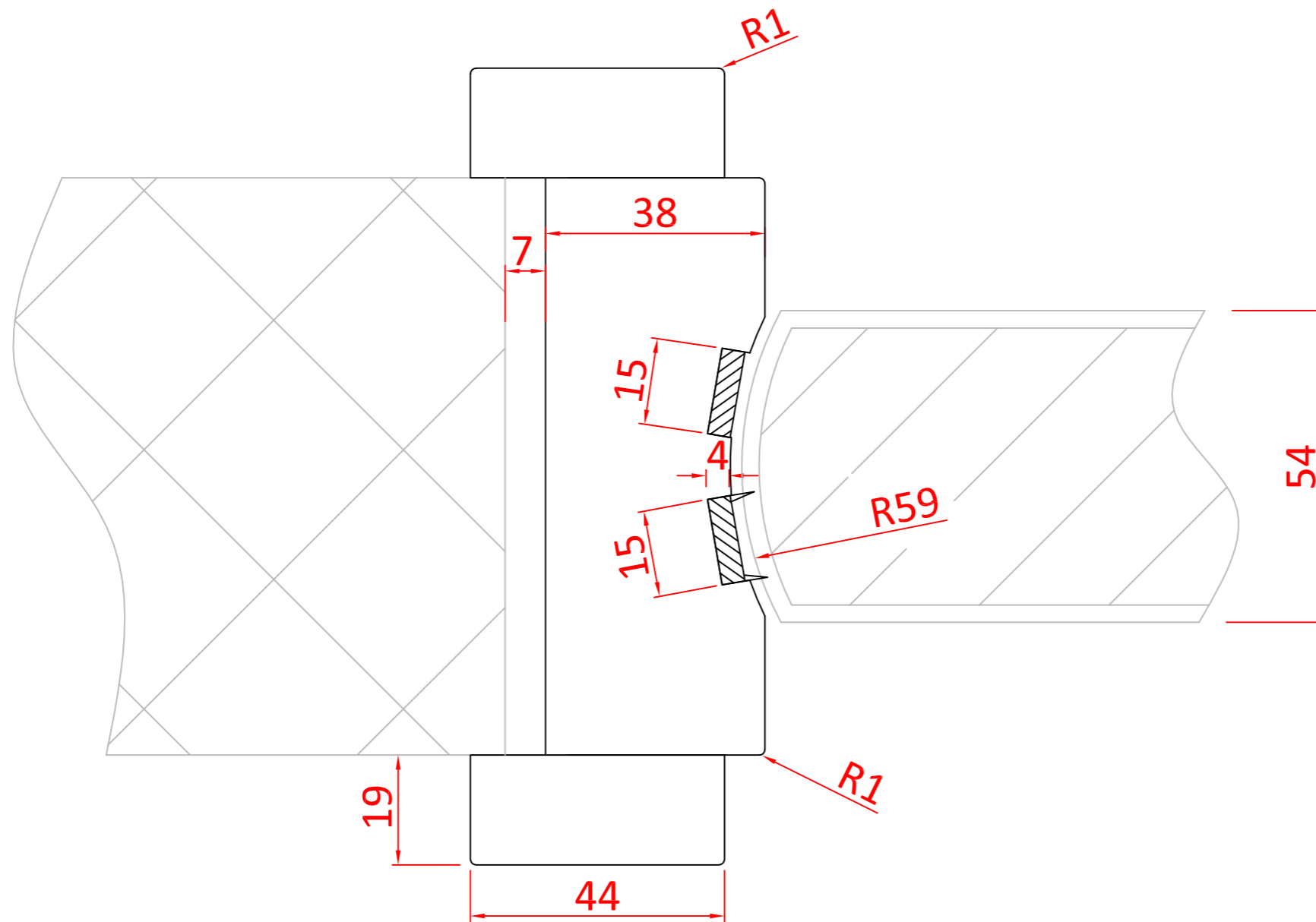
			Notes:		 <p>England and Wales Tel: 0116 278 3506 Scotland and Ireland Tel: 0123 672 0061</p> <p>WEB: www.aspex-uk.co.uk E-MAIL: sales@aspex-uk.co.uk</p>
			<ol style="list-style-type: none"> 1. Do not scale drawings 2. Site verify all dimensions prior to construction 3. Report all discrepancies to Aspex immediately 4. Read in conjunction with all relevant documents and drawings 	TITLE: Frame Type Five Hardwood and Softwood Plain Frame Double Swing - FD30 - No dB	
REV:	COMMENT:	DATE:		DRAWN BY: IS DATE: FEB 2016 SCALE: 1:1@A3	DWG No. ASP-10501-03-HSW
					REV.




			Notes:		 <p>England and Wales Tel: 0116 278 3506 Scotland and Ireland Tel: 0123 672 0061</p> <p>WEB: www.aspex-uk.co.uk E-MAIL: sales@aspex-uk.co.uk</p>	
			<ol style="list-style-type: none"> 1. Do not scale drawings 2. Site verify all dimensions prior to construction 3. Report all discrepancies to Aspex immediately 4. Read in conjunction with all relevant documents and drawings 	<p>TITLE:</p> <p>Frame Type Five - TFN Shadow Gap Hardwood and Softwood Scalloped Frame Double Swing - FD30S - No dB</p>		
REV:	COMMENT:	DATE:		<p>DRAWN BY: IS</p> <p>DATE: FEB 2016</p> <p>SCALE: 1:1@A3</p>	<p>DWG No. ASP-10506-03-HSW</p>	<p>REV.</p>



			Notes:		 <p>England and Wales Tel: 0116 278 3506 Scotland and Ireland Tel: 0123 672 0061</p> <p>WEB: www.aspex-uk.co.uk E-MAIL: sales@aspex-uk.co.uk</p>	
			<ol style="list-style-type: none"> 1. Do not scale drawings 2. Site verify all dimensions prior to construction 3. Report all discrepancies to Aspex immediately 4. Read in conjunction with all relevant documents and drawings 	<p>TITLE:</p> <p>Frame Type Five - TFN Shadow Gap Hardwood Scalloped Frame Double Swing - FD60S - No dB</p>		
REV:	COMMENT:	DATE:		<p>DRAWN BY: IS</p> <p>DATE: FEB 2016</p> <p>SCALE: 1:1@A3</p>	<p>DWG No. ASP-10506-06-HSW</p>	<p>REV.</p>



			Notes:		 <p>England and Wales Tel: 0116 278 3506 Scotland and Ireland Tel: 0123 672 0061</p> <p>WEB: www.aspex-uk.co.uk E-MAIL: sales@aspex-uk.co.uk</p>
			<ol style="list-style-type: none"> 1. Do not scale drawings 2. Site verify all dimensions prior to construction 3. Report all discrepancies to Aspex immediately 4. Read in conjunction with all relevant documents and drawings 	TITLE: Frame Type Five Hardwood Scalloped Frame Double Swing - FD60 - No dB	
REV:	COMMENT:	DATE:		DRAWN BY: IS DATE: FEB 2016 SCALE: 1:1@A3	DWG No. ASP-10501-06-HSW
					REV.