

REV:	COMMENT:	DATE:

Notes:

1. Do not scale drawings
2. Site verify all dimensions prior to construction
3. Report all discrepancies to Aspex immediately
4. Read in conjunction with all relevant documents and drawings

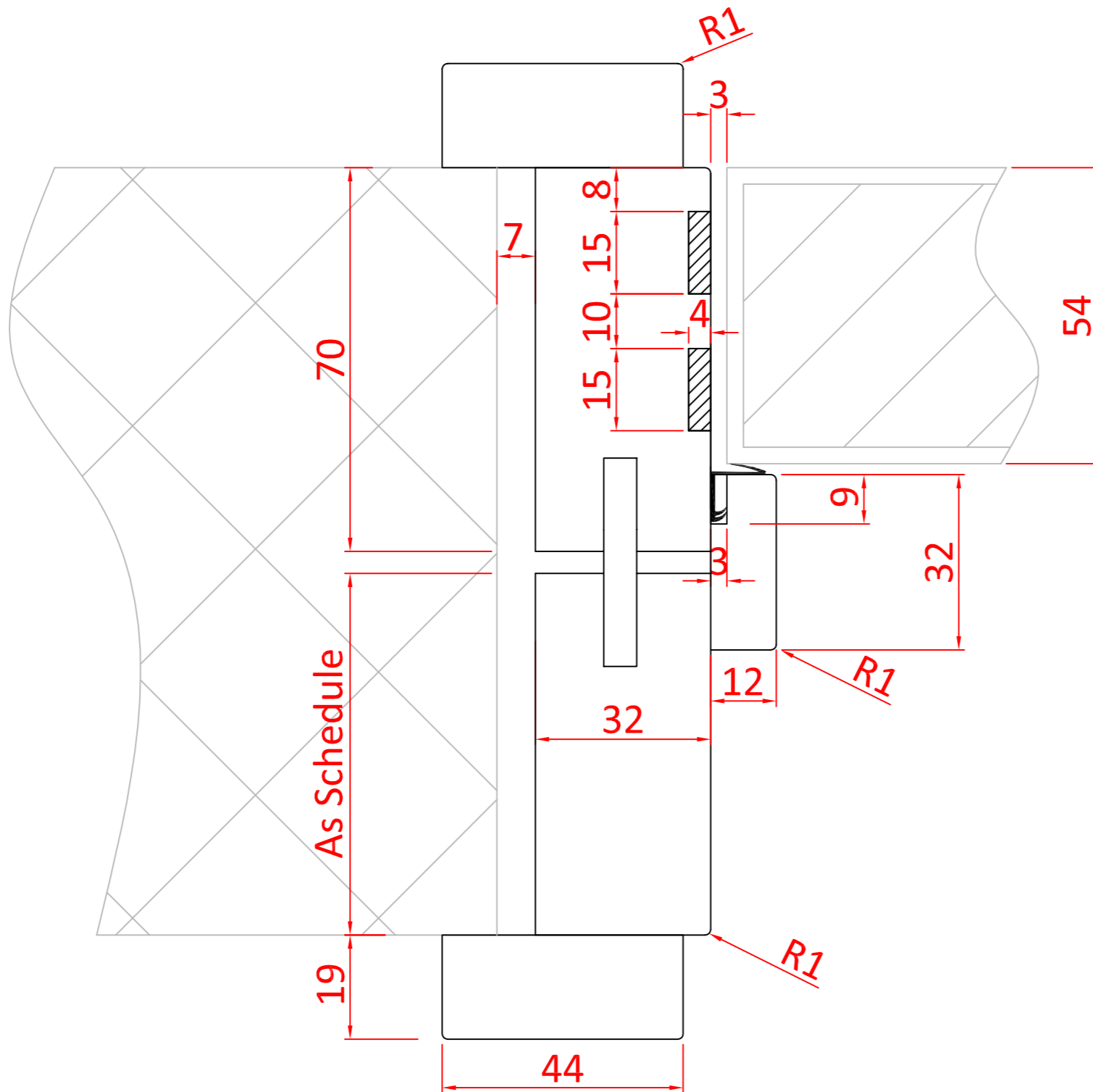
TITLE:
Frame Type Three
 Hardwood Split Lining And Loose Stop
 FD60 - No dB


DRAWN BY: IS DATE: FEB 2016 SCALE: 1:1@A3

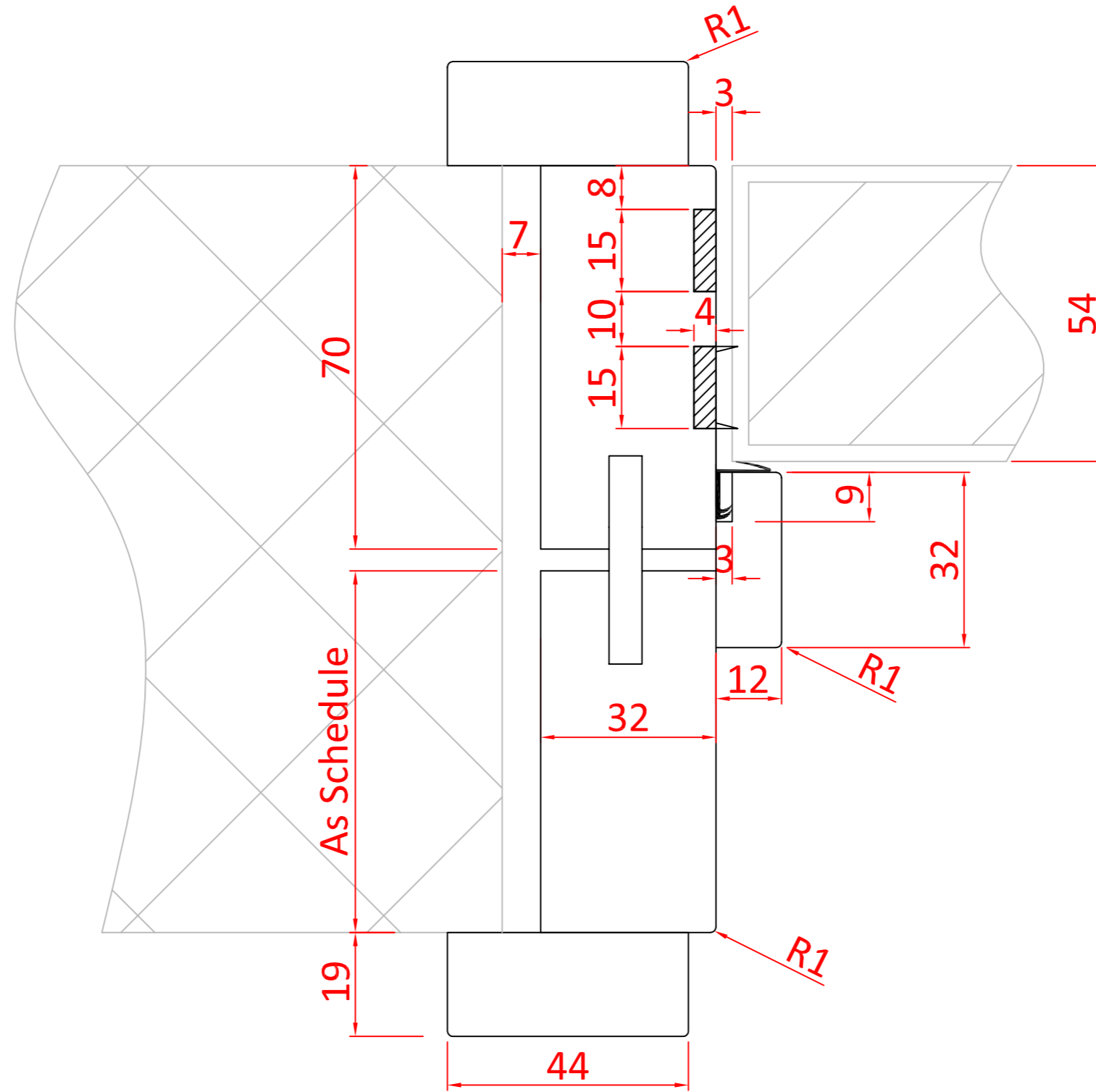
England and Wales Tel: 0116 278 3506
 Scotland and Ireland Tel: 0123 672 0061

WEB: www.aspex-uk.co.uk
 E-MAIL: sales@aspex-uk.co.uk

DWG No. **ASP-10301-06-HSW** REV.



			Notes:		 <p>England and Wales Tel: 0116 278 3506 Scotland and Ireland Tel: 0123 672 0061</p> <p>WEB: www.aspex-uk.co.uk E-MAIL: sales@aspex-uk.co.uk</p>	
			<ol style="list-style-type: none"> 1. Do not scale drawings 2. Site verify all dimensions prior to construction 3. Report all discrepancies to Aspex immediately 4. Read in conjunction with all relevant documents and drawings 	<p>TITLE:</p> <p>Frame Type Three Hardwood Split Lining And Loose Stop FD60 - Up To 32dB</p>		
REV:	COMMENT:	DATE:		<p>DRAWN BY: IS</p> <p>DATE: FEB 2016</p> <p>SCALE: 1:1@A3</p>	<p>DWG No. ASP-10302-06-HSW</p>	<p>REV.</p>



Notes:

1. Do not scale drawings
2. Site verify all dimensions prior to construction
3. Report all discrepancies to Aspex immediately
4. Read in conjunction with all relevant documents and drawings

TITLE:

Frame Type Three
 Hardwood Split Lining And Loose Stop
 FD60 - Up To 35dB



England and Wales Tel: 0116 278 3506
 Scotland and Ireland Tel: 0123 672 0061

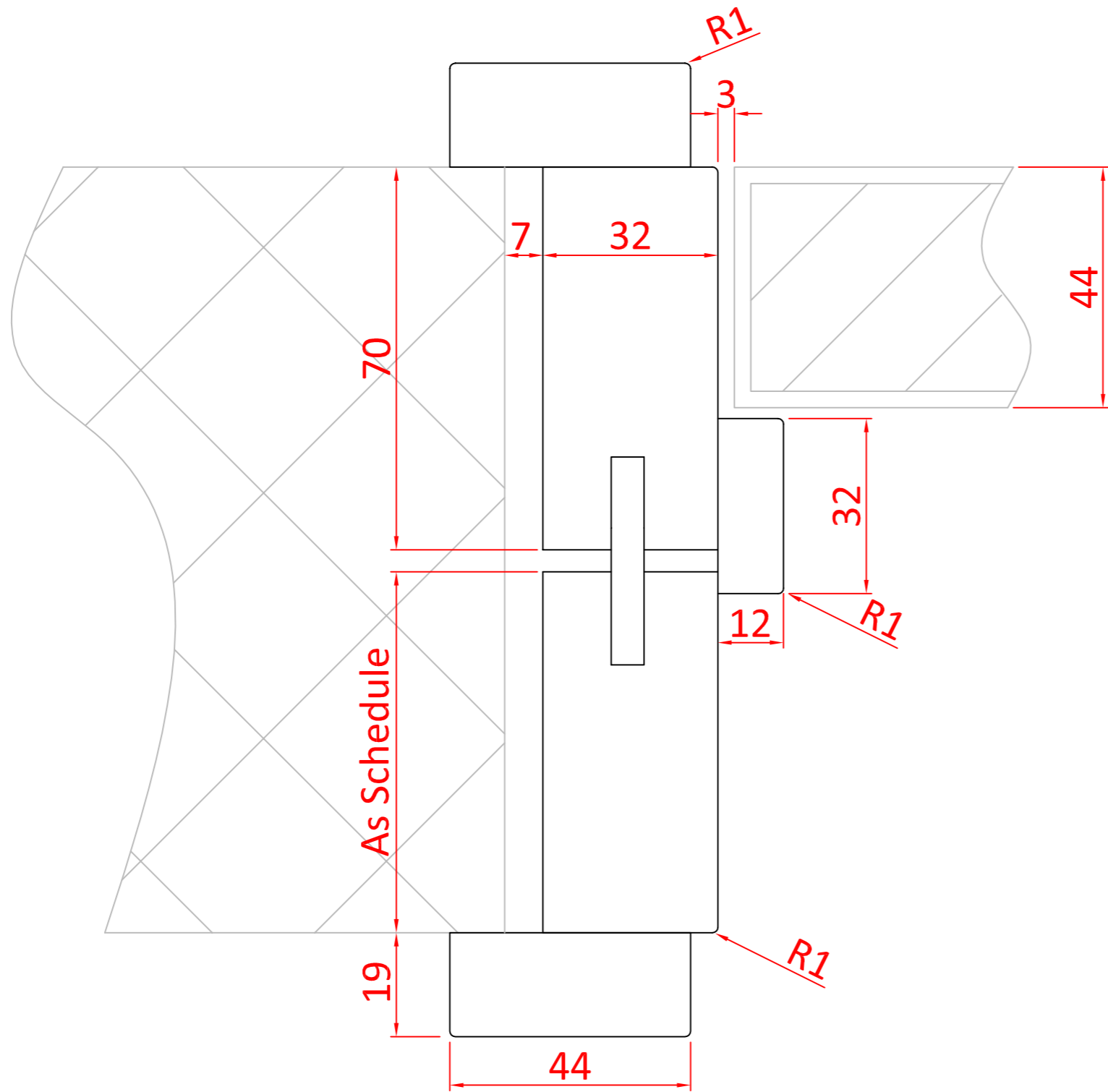
WEB: www.aspex-uk.co.uk
 E-MAIL: sales@aspex-uk.co.uk


REV:	COMMENT:	DATE:

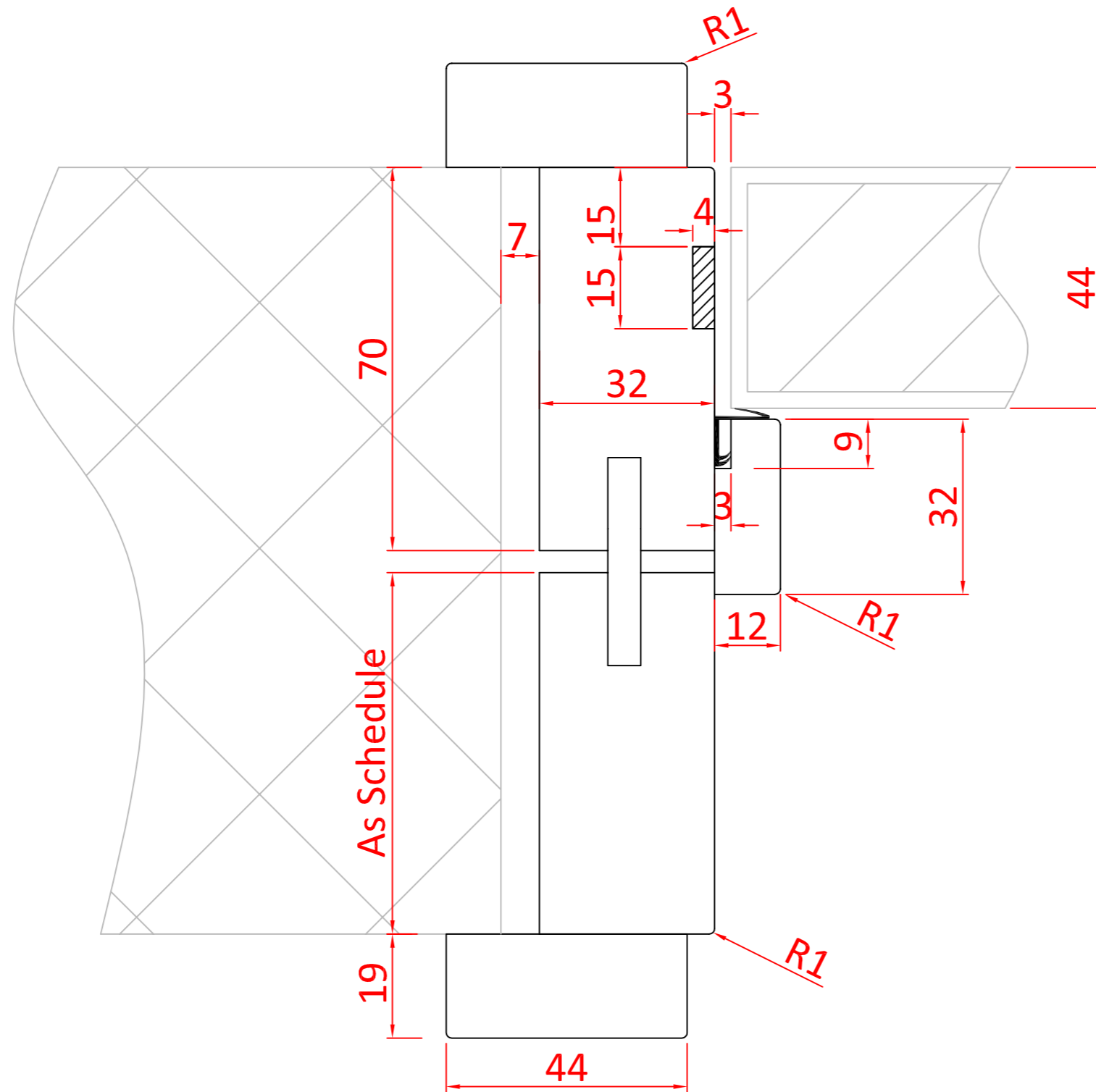
DRAWN BY: IS DATE: FEB 2016 SCALE: 1:1@A3

DWG No. **ASP-10303-06-HSW**

REV.



			Notes:		 <p>England and Wales Tel: 0116 278 3506 Scotland and Ireland Tel: 0123 672 0061</p> <p>WEB: www.aspex-uk.co.uk E-MAIL: sales@aspex-uk.co.uk</p>			
			<ol style="list-style-type: none"> 1. Do not scale drawings 2. Site verify all dimensions prior to construction 3. Report all discrepancies to Aspex immediately 4. Read in conjunction with all relevant documents and drawings 	<p>TITLE:</p> <p>Frame Type Three Hardwood and Softwood Split Lining And Loose Stop - NFR - No dB</p>				
REV:	COMMENT:	DATE:		<p>DRAWN BY</p> <p>IS</p>	<p>DATE:</p> <p>FEB 2016</p>	<p>SCALE</p> <p>1:1@A3</p>	<p>DWG No.</p> <p>ASP-10301-00-HSW</p>	<p>REV.</p>



Notes:

1. Do not scale drawings
2. Site verify all dimensions prior to construction
3. Report all discrepancies to Aspex immediately
4. Read in conjunction with all relevant documents and drawings

TITLE:

Frame Type Three
 Hardwood and Softwood Split Lining And
 Loose Stop - FD30 - No dB



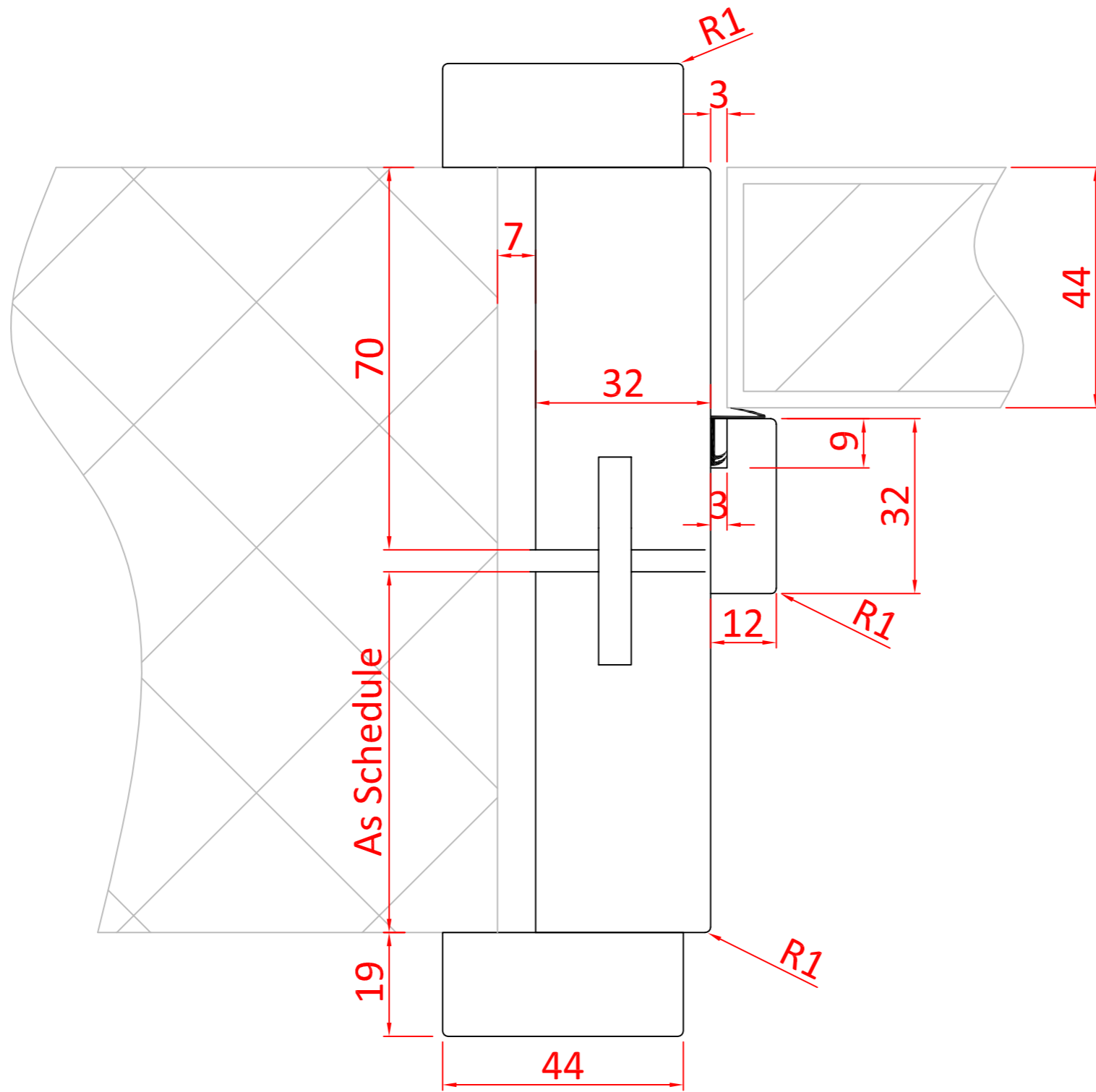
England and Wales Tel: 0116 278 3506
 Scotland and Ireland Tel: 0123 672 0061


WEB: www.aspex-uk.co.uk
 E-MAIL: sales@aspex-uk.co.uk

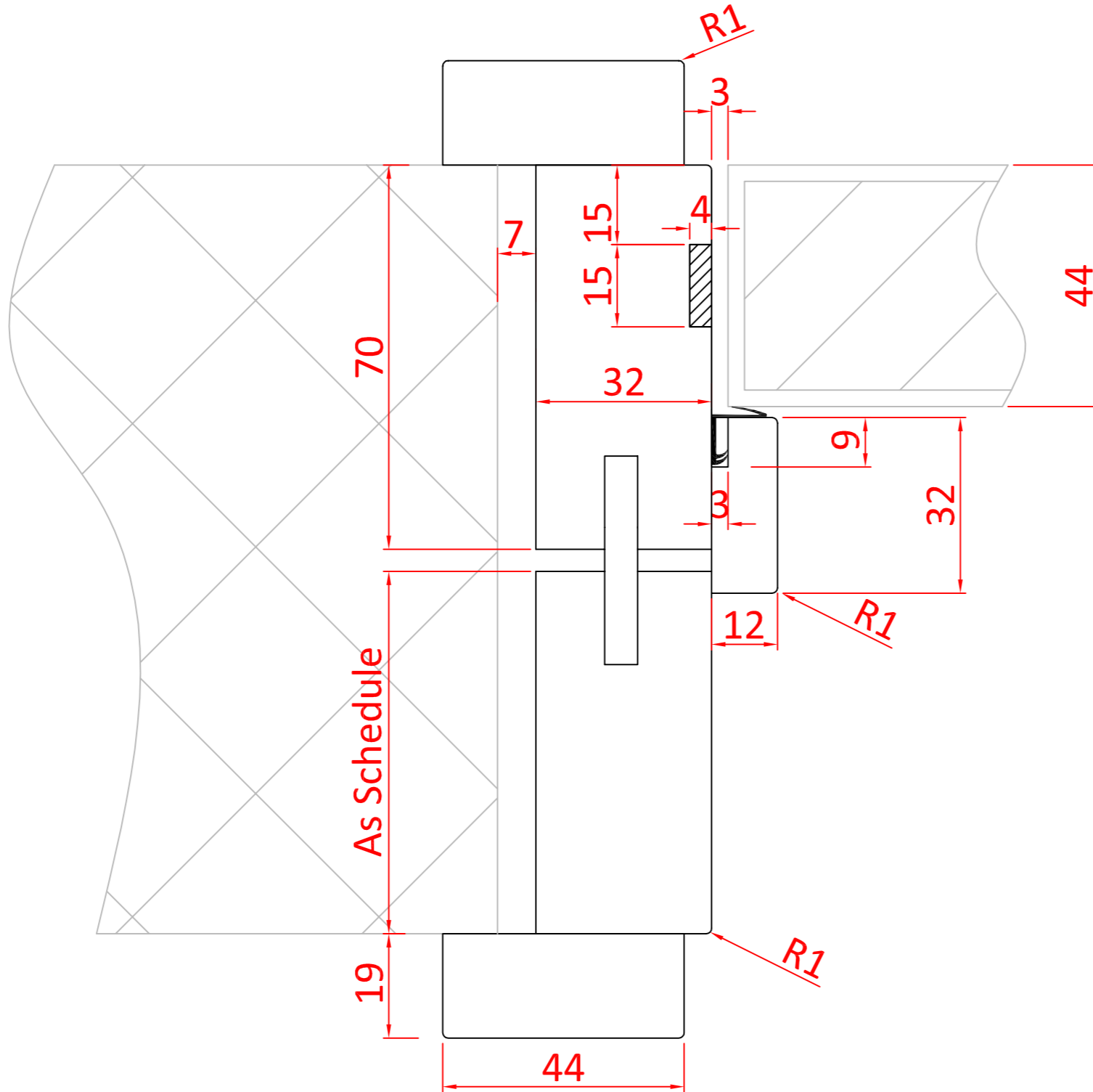
REV:	COMMENT:	DATE:

DRAWN BY: IS DATE: FEB 2016 SCALE: 1:1@A3

DWG No. **ASP-10301-03-HSW** REV.



			Notes:		 <p>England and Wales Tel: 0116 278 3506 Scotland and Ireland Tel: 0123 672 0061</p> <p>WEB: www.aspex-uk.co.uk E-MAIL: sales@aspex-uk.co.uk</p>	
			<ol style="list-style-type: none"> 1. Do not scale drawings 2. Site verify all dimensions prior to construction 3. Report all discrepancies to Aspex immediately 4. Read in conjunction with all relevant documents and drawings 	<p>TITLE:</p> <p>Frame Type Three Hardwood and Softwood Split Lining And Loose Stop - NFR - Up To 32dB</p>		
REV:	COMMENT:	DATE:		<p>DRAWN BY: IS</p> <p>DATE: FEB 2016</p> <p>SCALE: 1:1@A3</p>	<p>DWG No. ASP-10302-00-HSW</p>	<p>REV.</p>



Notes:

1. Do not scale drawings
2. Site verify all dimensions prior to construction
3. Report all discrepancies to Aspex immediately
4. Read in conjunction with all relevant documents and drawings

TITLE:

Frame Type Three
 Hardwood and Softwood Split Lining And
 Loose Stop - FD30 - Up To 32dB

DRAWN BY
 IS

DATE:
 FEB 2016

SCALE
 1:1@A3



England and Wales Tel: 0116 278 3506
 Scotland and Ireland Tel: 0123 672 0061

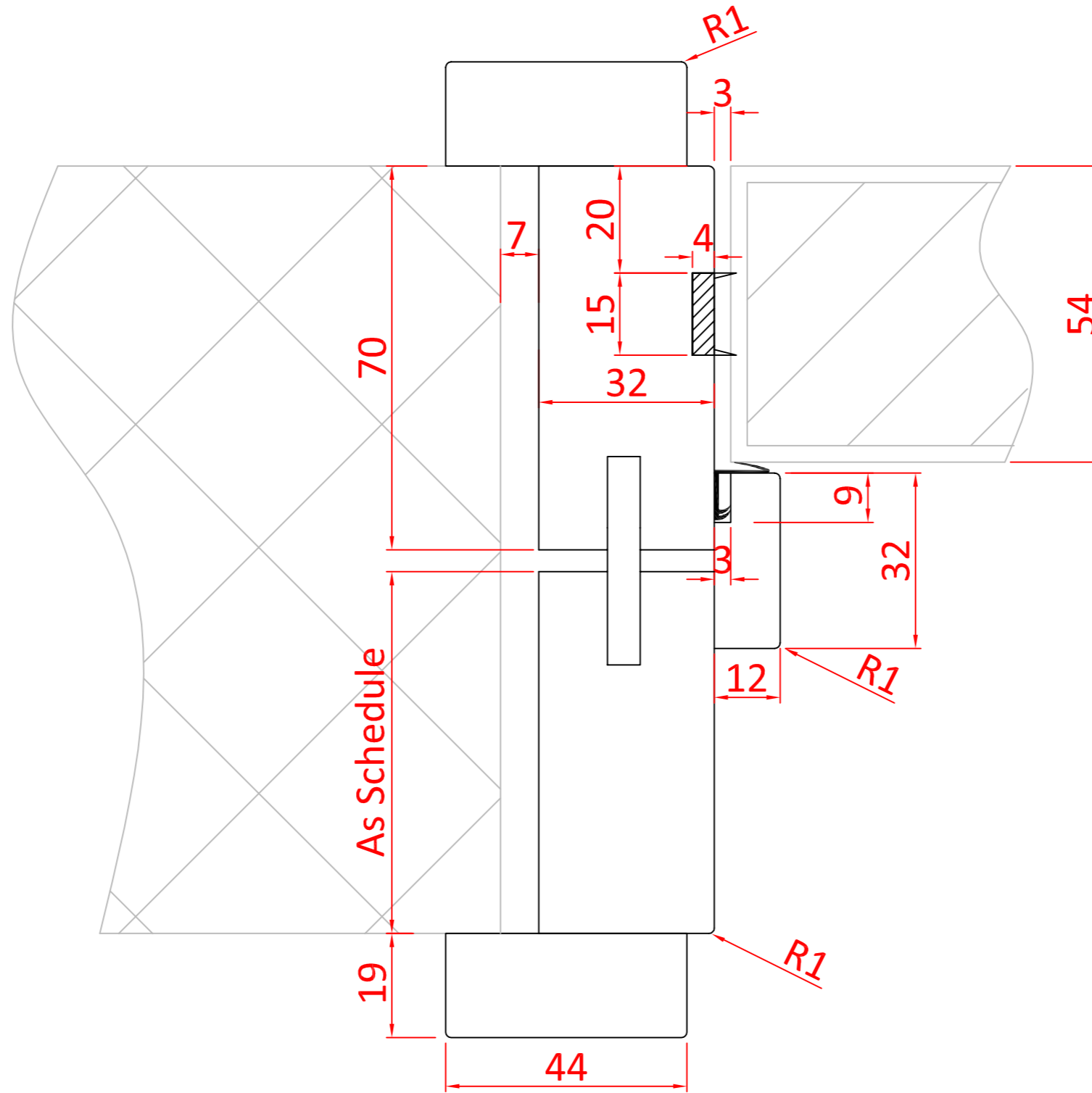
WEB: www.aspex-uk.co.uk
 E-MAIL: sales@aspex-uk.co.uk

DWG No.

ASP-10302-03-HSW

REV.

REV:	COMMENT:	DATE:



Notes:

1. Do not scale drawings
2. Site verify all dimensions prior to construction
3. Report all discrepancies to Aspex immediately
4. Read in conjunction with all relevant documents and drawings

TITLE:

Frame Type Three
 Hardwood and Softwood Split Lining And
 Loose Stop - NFR - Up To 35dB

DRAWN BY
 IS

DATE:
 FEB 2016

SCALE
 1:1@A3



England and Wales Tel: 0116 278 3506
 Scotland and Ireland Tel: 0123 672 0061

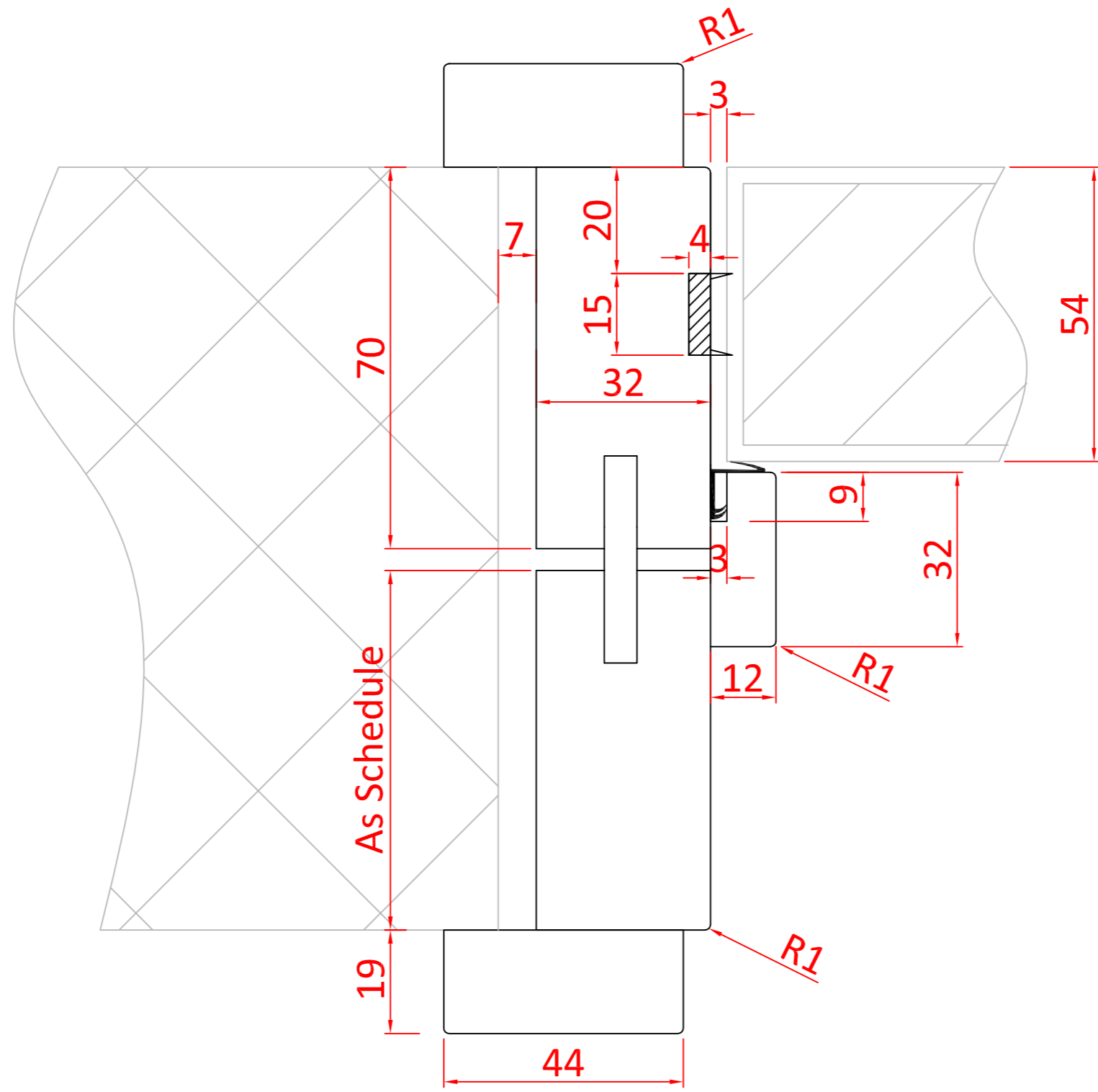
WEB: www.aspex-uk.co.uk
 E-MAIL: sales@aspex-uk.co.uk

DWG No.

ASP-10303-00-HSW

REV.

REV:	COMMENT:	DATE:



REV:	COMMENT:	DATE:

Notes:

1. Do not scale drawings
2. Site verify all dimensions prior to construction
3. Report all discrepancies to Aspex immediately
4. Read in conjunction with all relevant documents and drawings

TITLE:
Frame Type Three
 Hardwood and Softwood Split Lining And
 Loose Stop - FD30 - Up To 35dB

DRAWN BY: IS DATE: FEB 2016 SCALE: 1:1@A3

aspex
 Doorsets

England and Wales Tel: 0116 278 3506 WEB: www.aspex-uk.co.uk
 Scotland and Ireland Tel: 0123 672 0061 E-MAIL: sales@aspex-uk.co.uk

DWG No. **ASP-10303-03-HSW** REV.