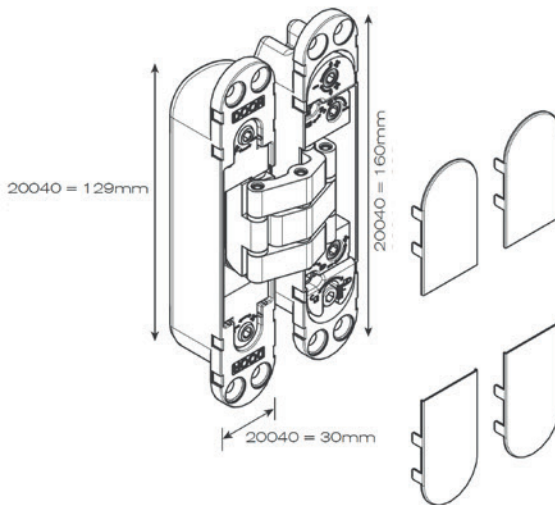




Hinges



20040 concealed hinge

- Three way adjustable
- Low friction teflon bearings
- Tested 200,000 cycles
- 180 degree opening
- Suitable for up to 80kg with two hinges or 120kg with three hinges
- Maximum door leaf height of 2700mm
- CE marked
- Suitable for FD30 fire rated doors
- Available in satin or polished stainless steel, or white

Maintenance

To be carried out by approved specialist only.
 No abrasives or chemical materials to be used. Wipe with soft damp cloth or, when necessary, warm soapy water and a soft cloth. At least once a year, check for tolerance and wear, and tighten any screws that may become loose.
 If for any reason the products fail due to a defect in manufacture, contact us and we will advise you of the replacement procedure.