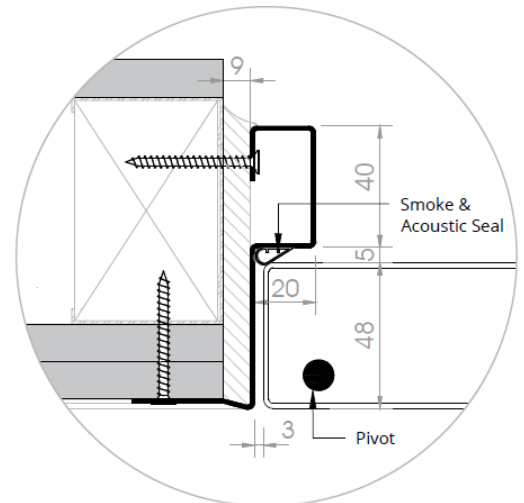


## Novista Riser Steel



<b>Frame</b>	Concealed/Picture frame design made from 1.2mm steel. 3 or 4 sided frame options
<b>Leaf</b>	Double skin 1.0mm Zintec Steel with insulated core. 48mm thick
<b>Finish</b>	Primed or Polyester Powder Coat to any RAL colour
<b>Configurations</b>	Single leaf, double leaf and up to six leaves within one frame
<b>Leaf Height/width</b>	Up to 2850mm high and 1200mm wide leaves (please consult our technical department)
<b>Hinge</b>	Concealed quick release pivot hinge operation
<b>Locking</b>	3 point security lock as standard with square key operation. Europrofile cylinder option available

### Performance

- Fire Rating** – FD120 (as standard)
- Acoustic Rating** – 41dB<sub>Rw</sub> (as standard)
- Smoke/Air tested** – To BS6375-1, BSEN1634-3 and to BSEN13501-2
- Thermal Resistance** – 1.43(m<sup>2</sup>K)/W

