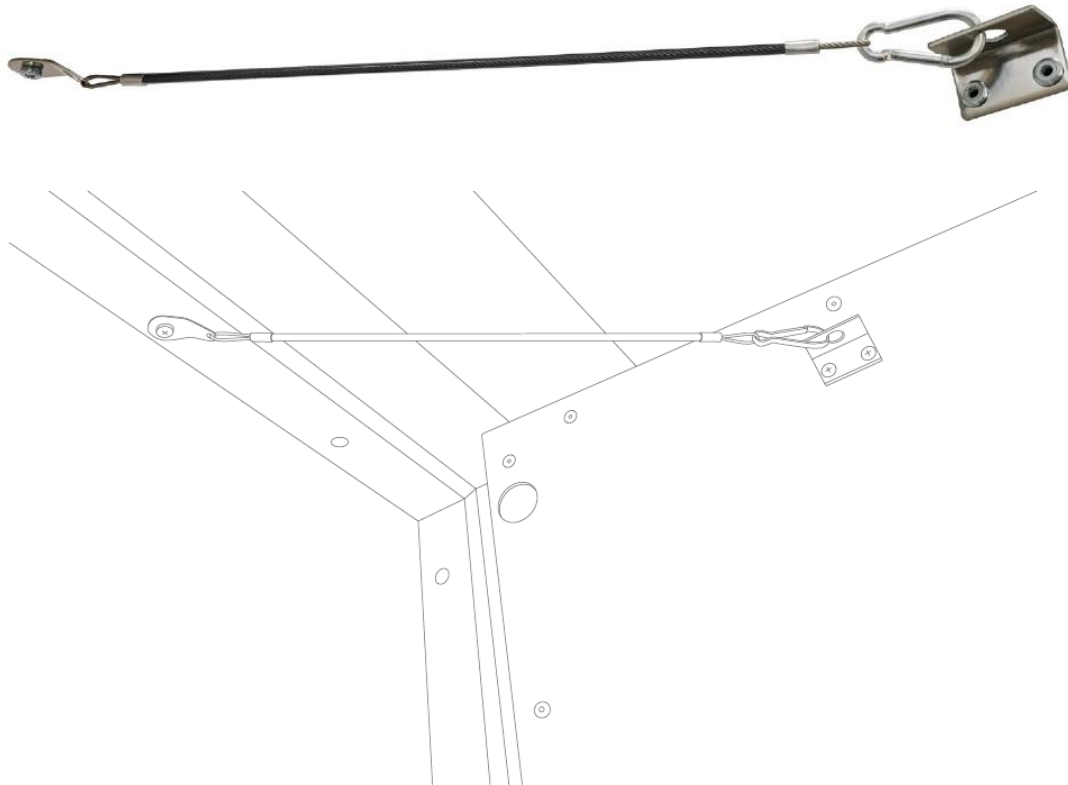


Door Restrictor



Overview

- Supplied fitted or can be retro-fitted
- Prevents door from opening further than 90 degrees to eliminate chance of damage to the door face
- Quick release clip to allow leaf to be taken off when required

Maintenance

- To be carried out by approved specialist only
- A door restrictor must be fitted to limit the opening of the door.
- Regularly check the assembly for tolerance and undue wear.
- Tighten any screws or bolts that may become loose and adjust the closer, if necessary.
- Repair works or any replacements have to be executed by the manufacturer or specialists authorised by the manufacturer. If, for any reason, the products fail due to a defect in manufacture, contact us and we will advise you on the replacement procedure.

Contact

Aspex Sales
sales@aspex-uk.co.uk

novista