



aspex

novista
riser

**steel door
assembly instructions**

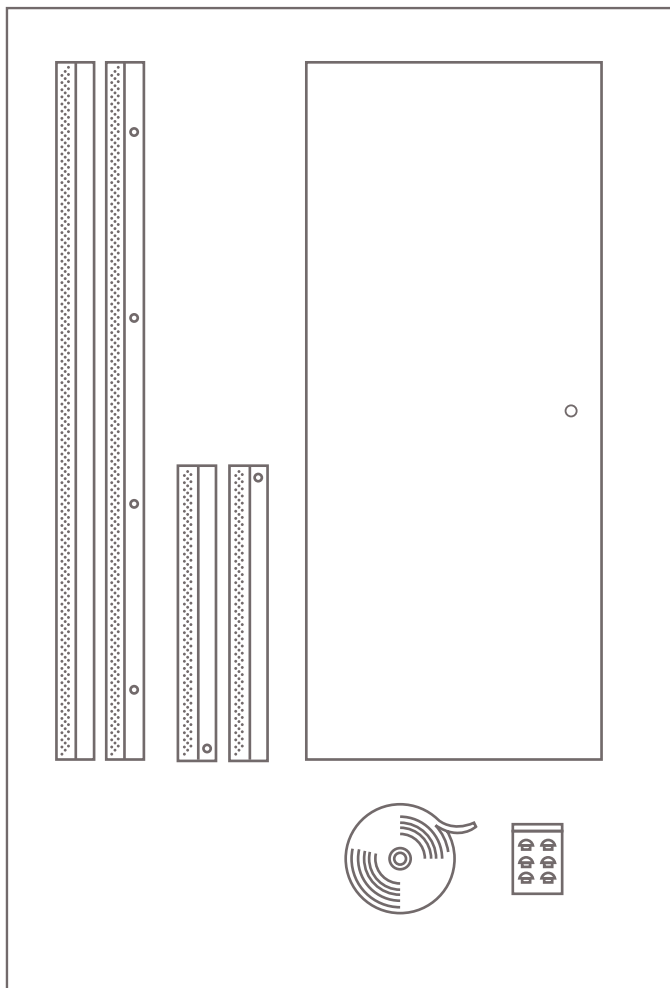
hidden door system

aspex

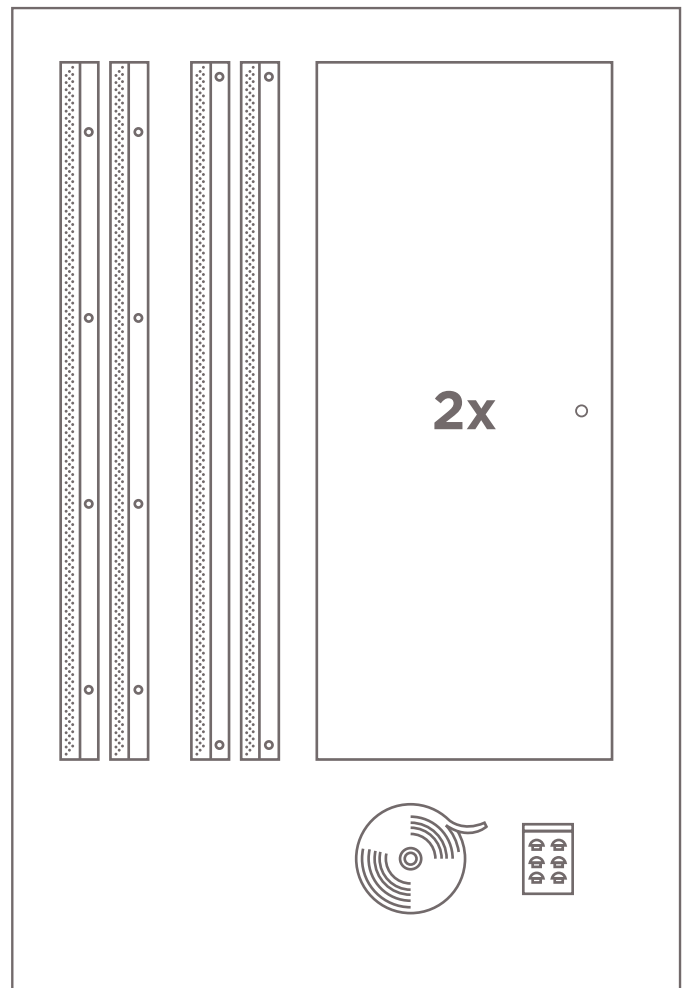
www.aspex-uk.co.uk

novista
riser

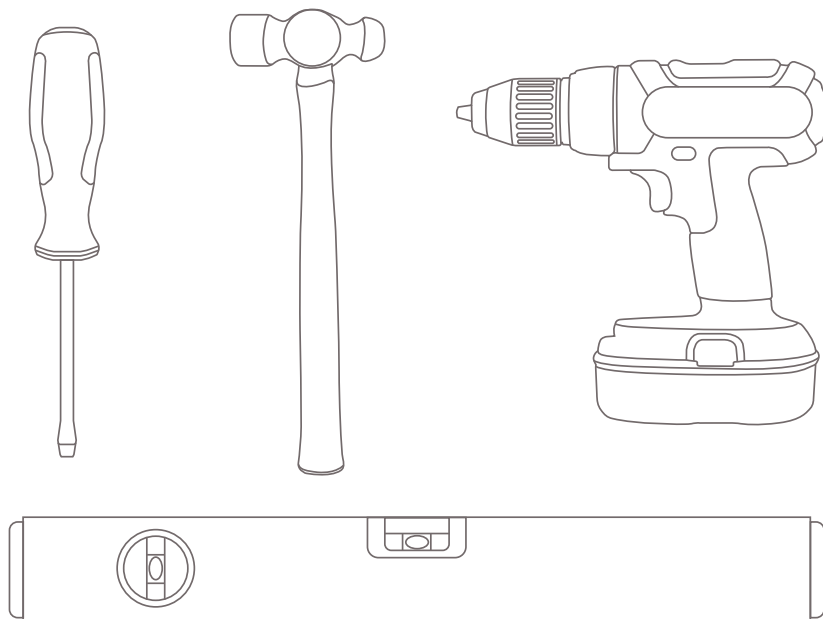
single door components



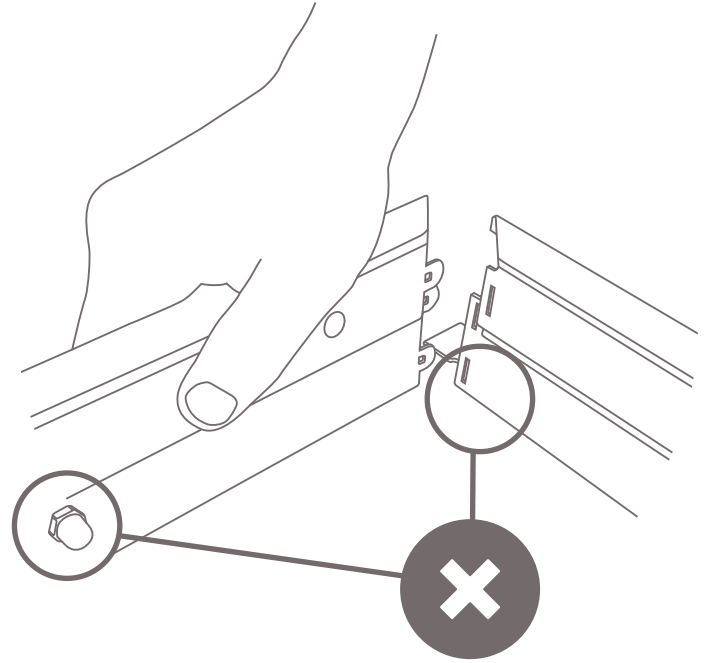
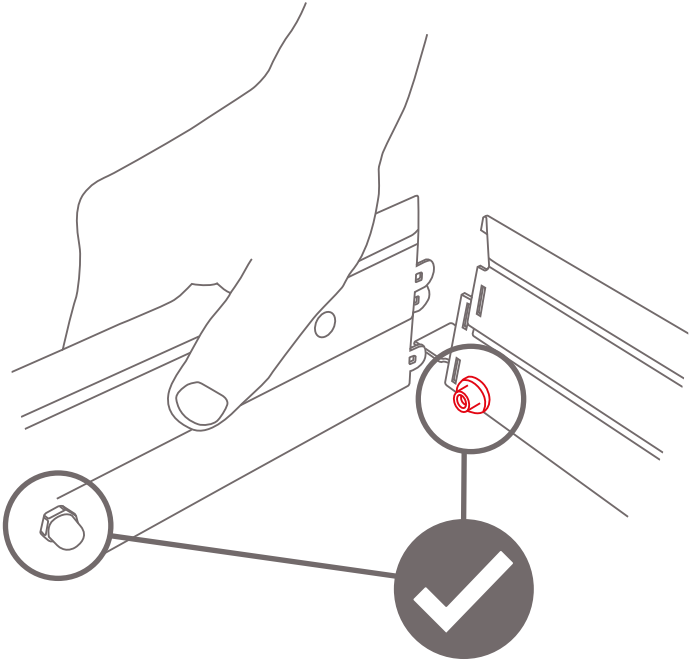
double door components



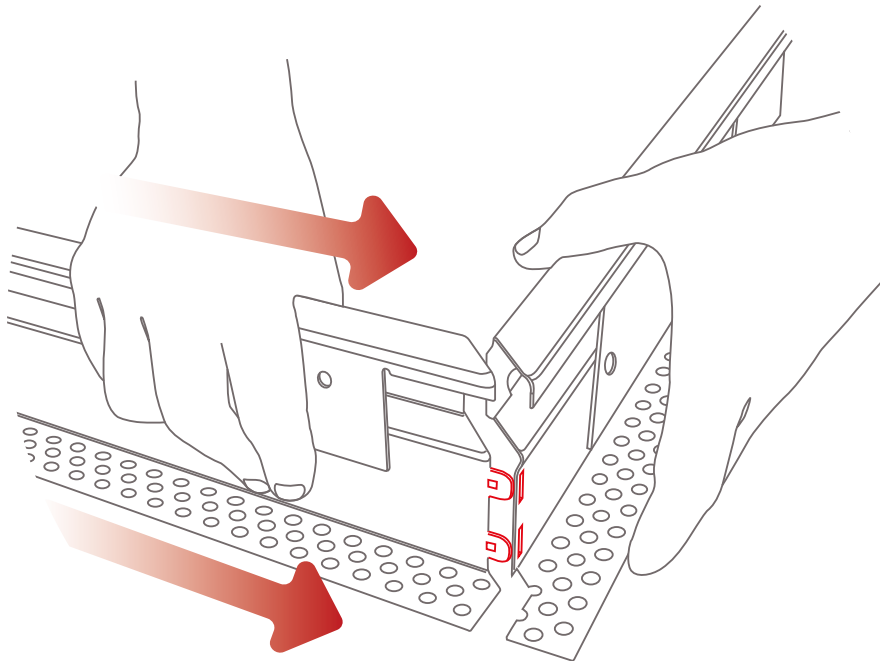
tools required



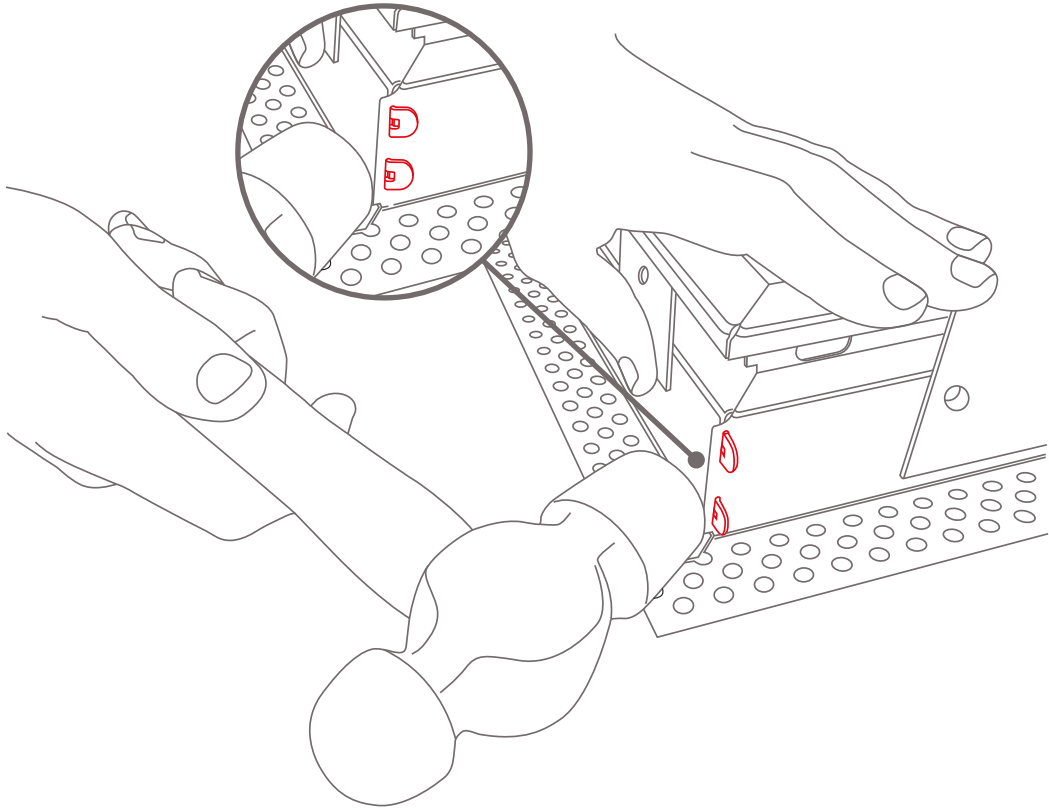
1



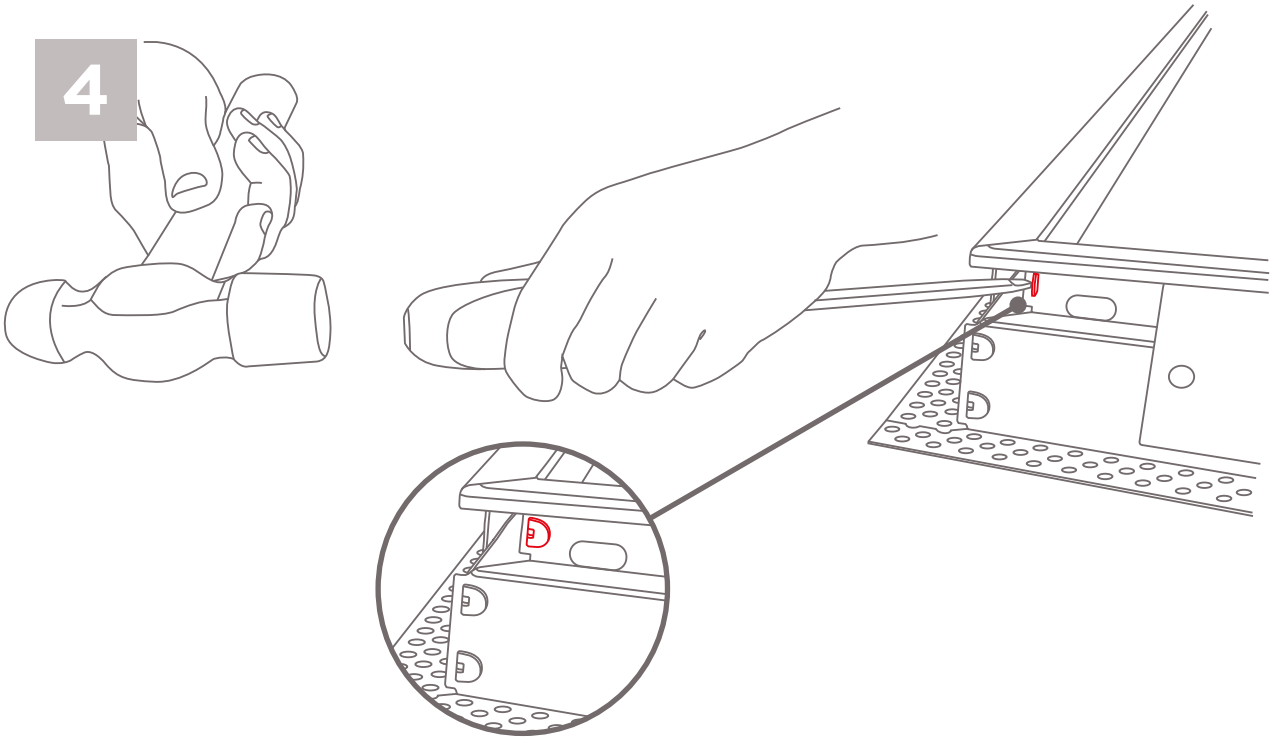
2



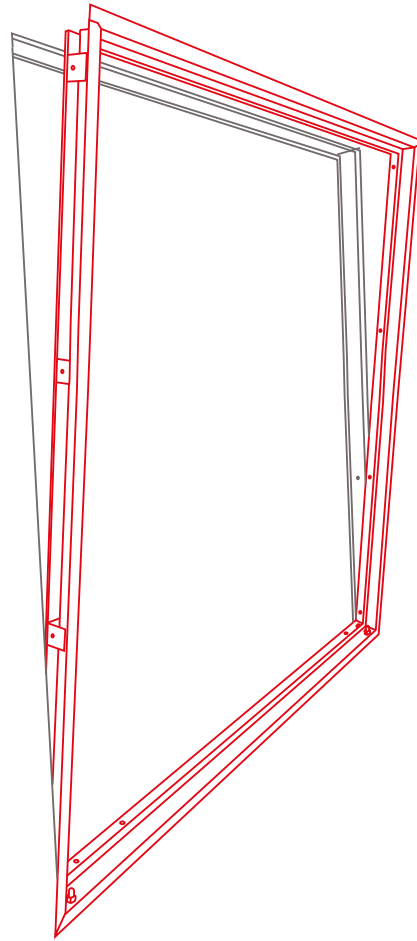
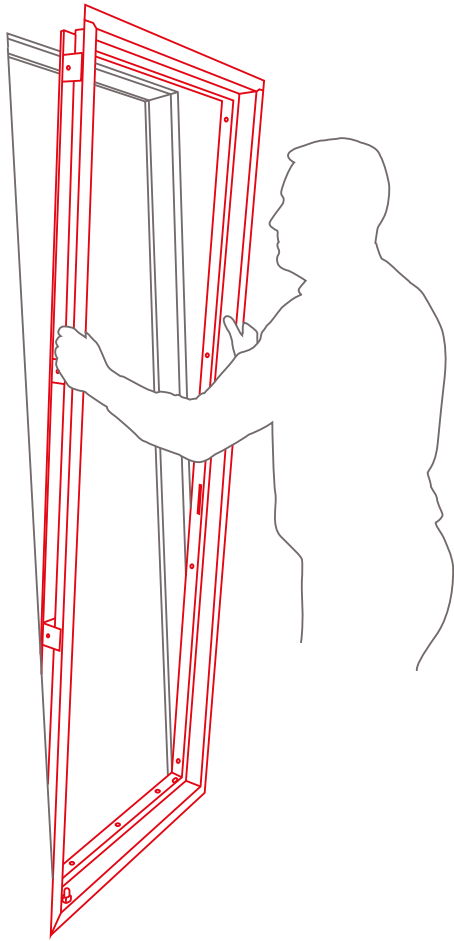
3



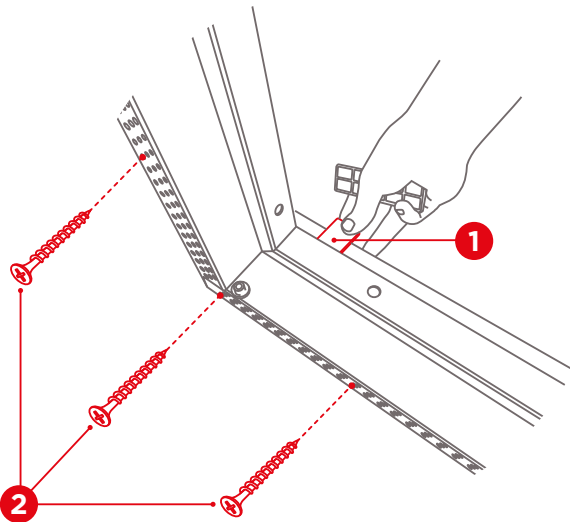
4



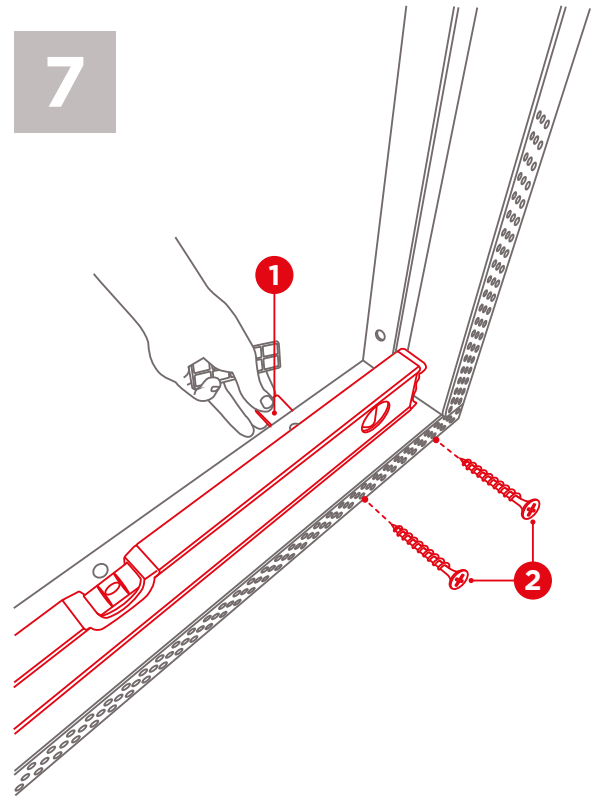
5

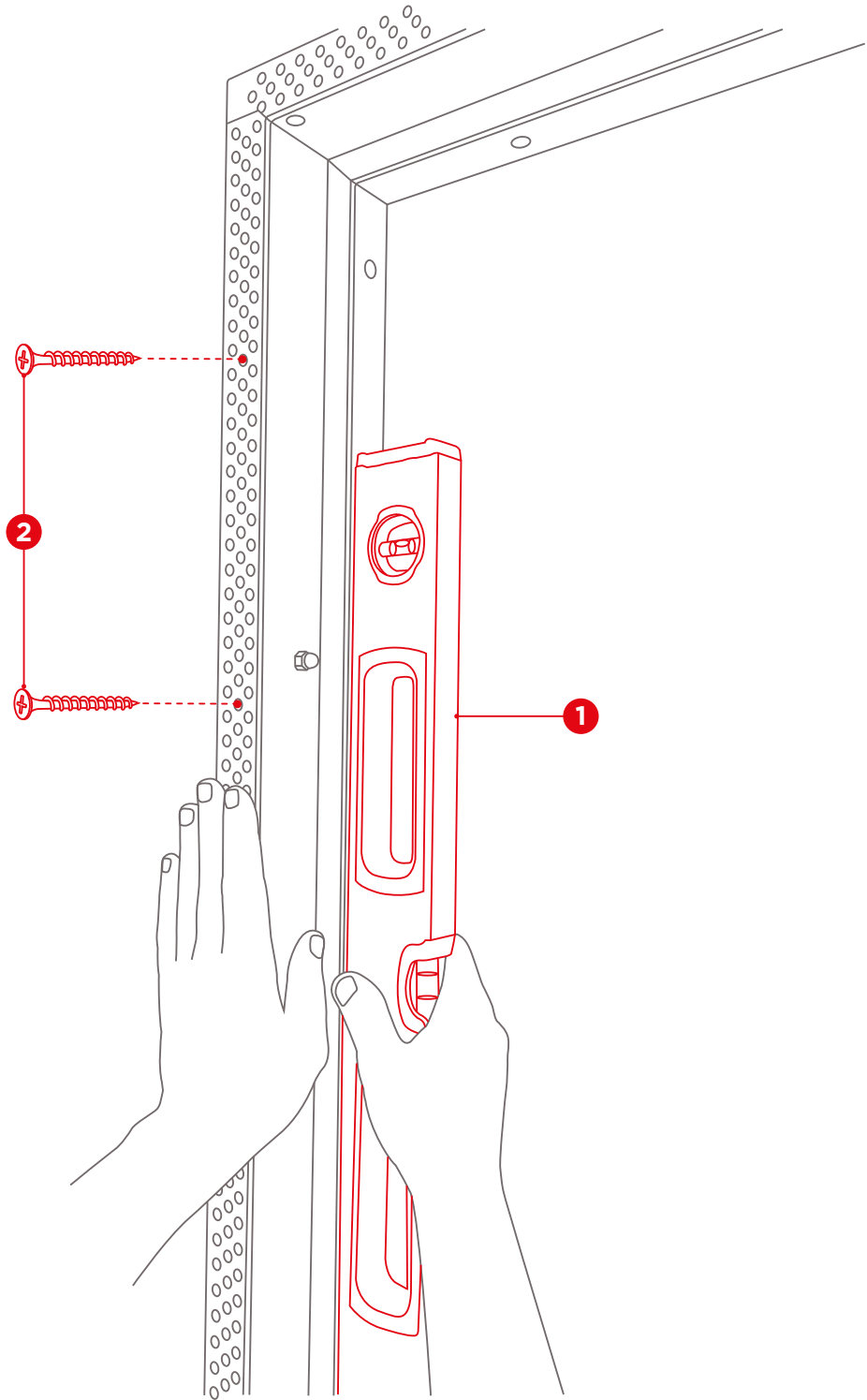


6

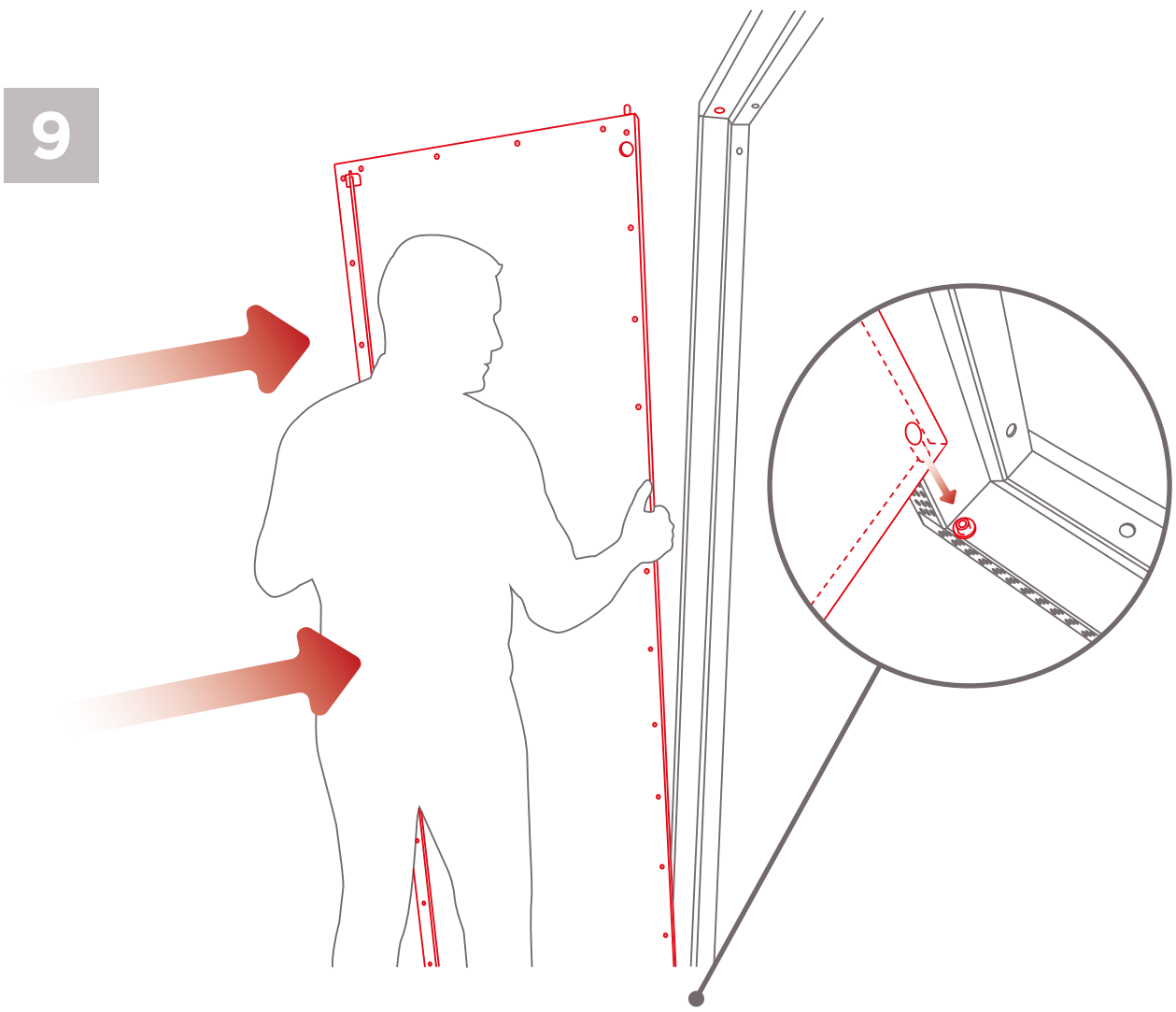


7

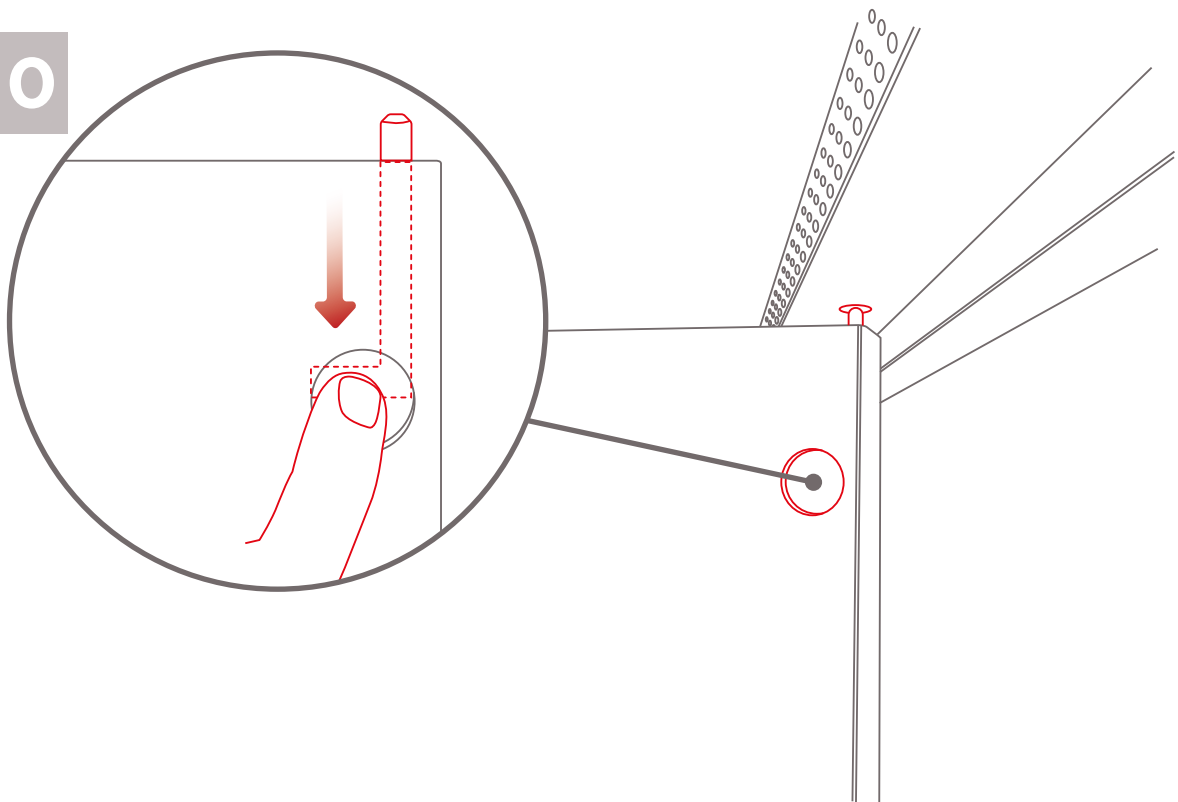




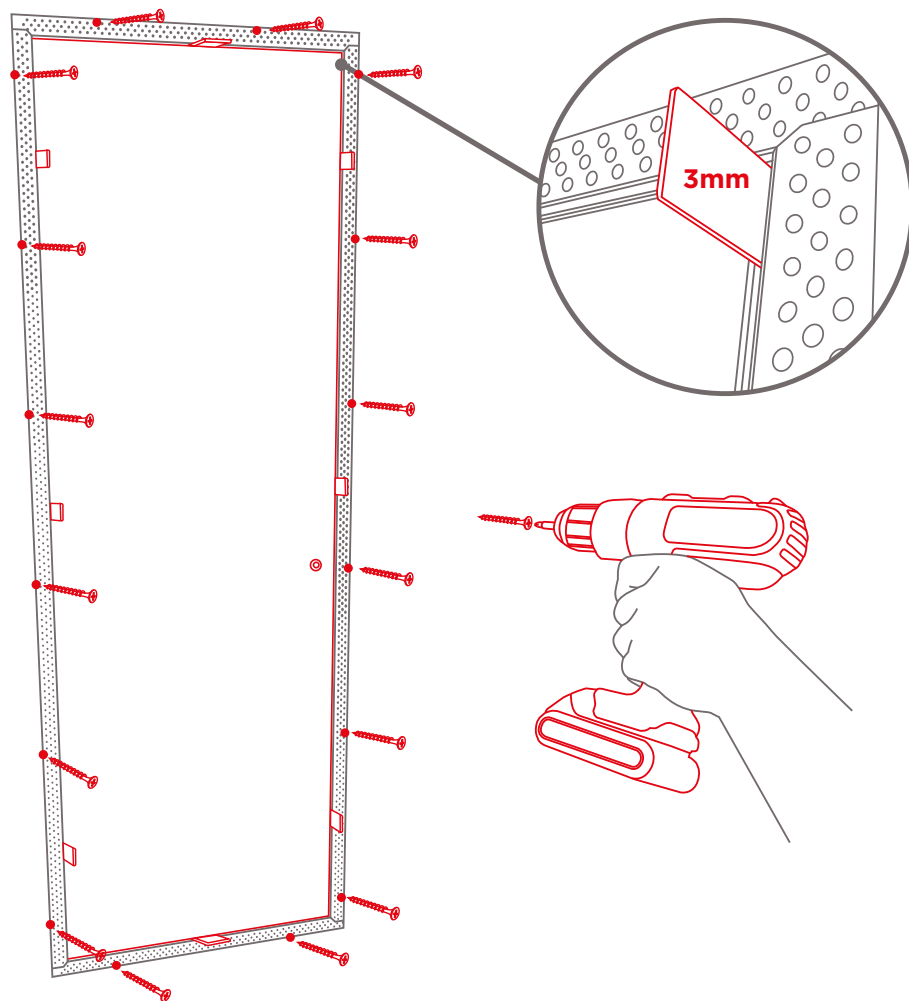
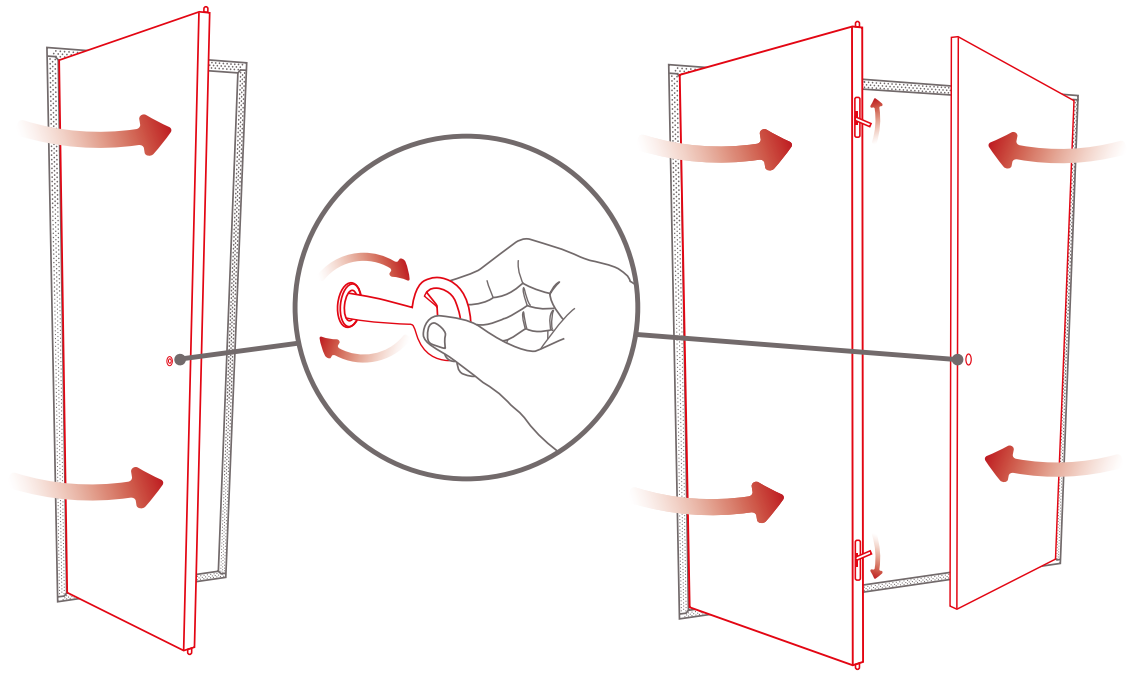
9

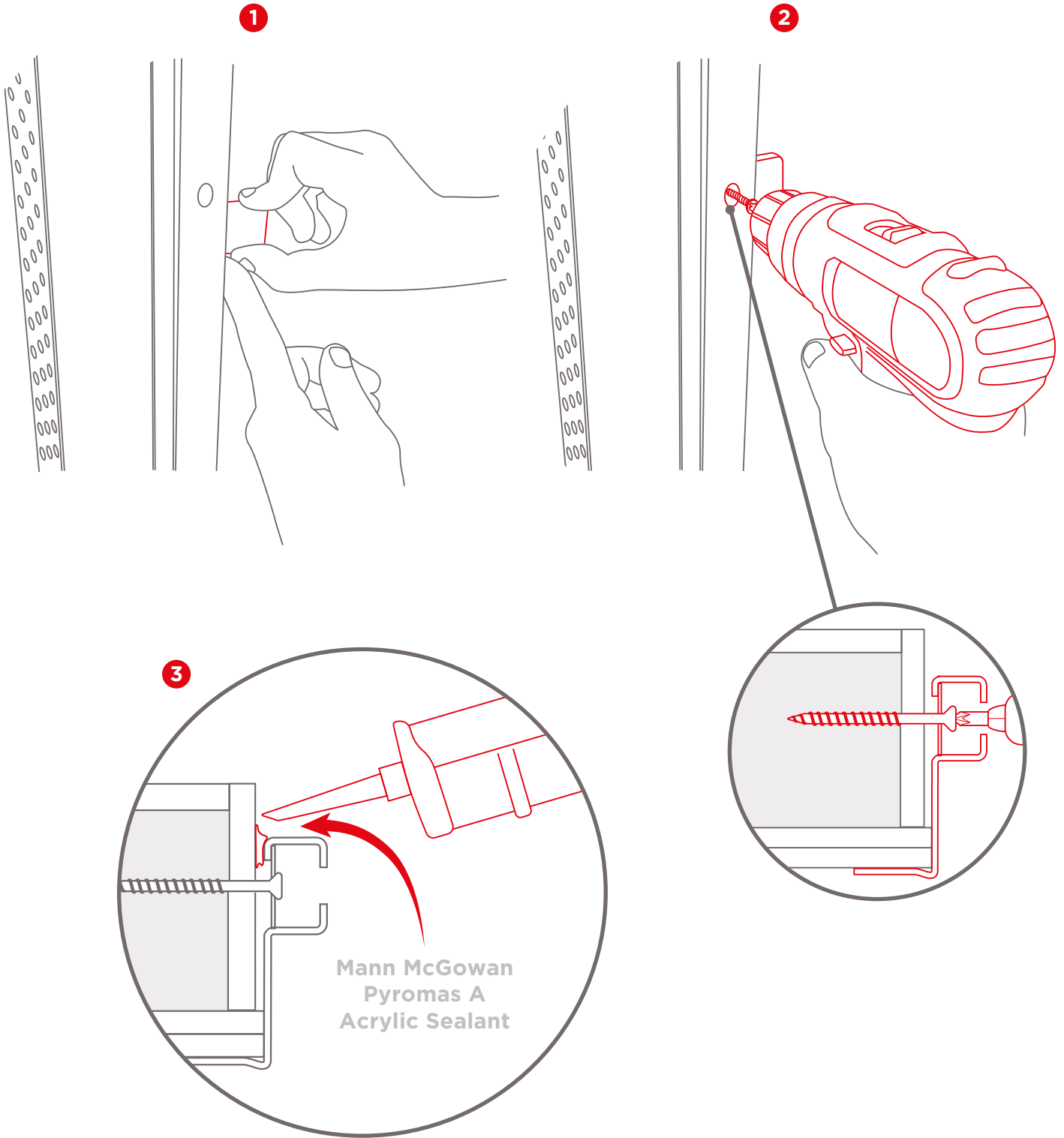


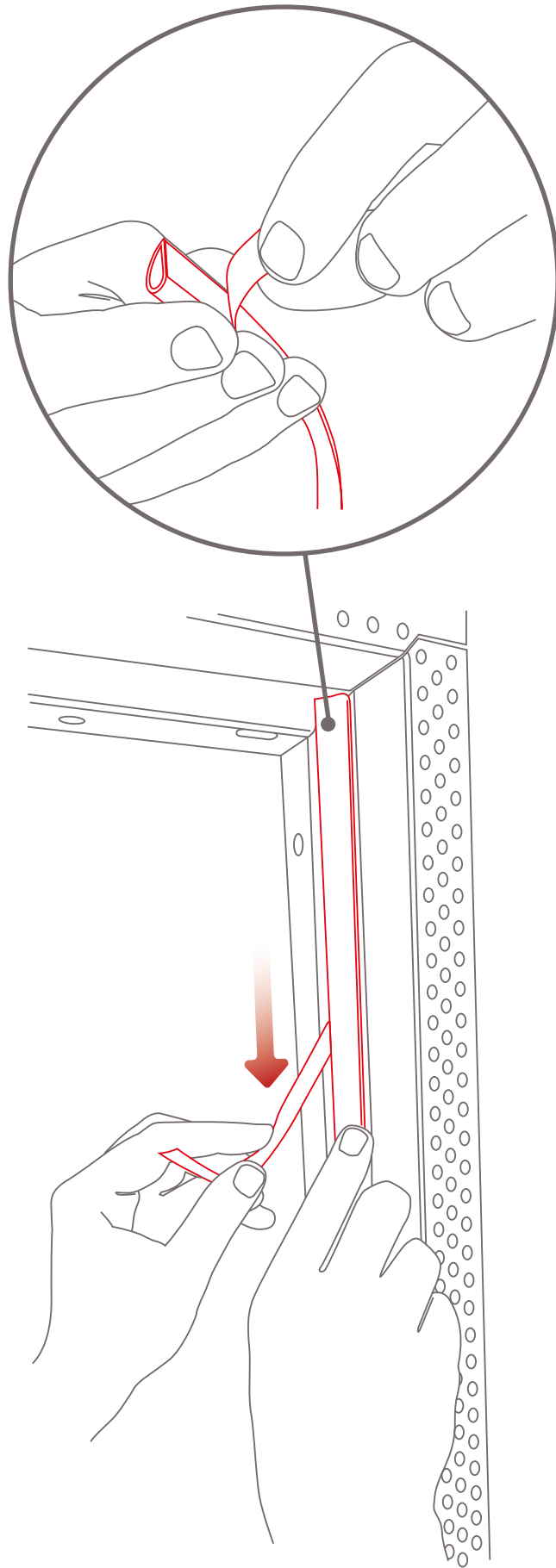
10



11

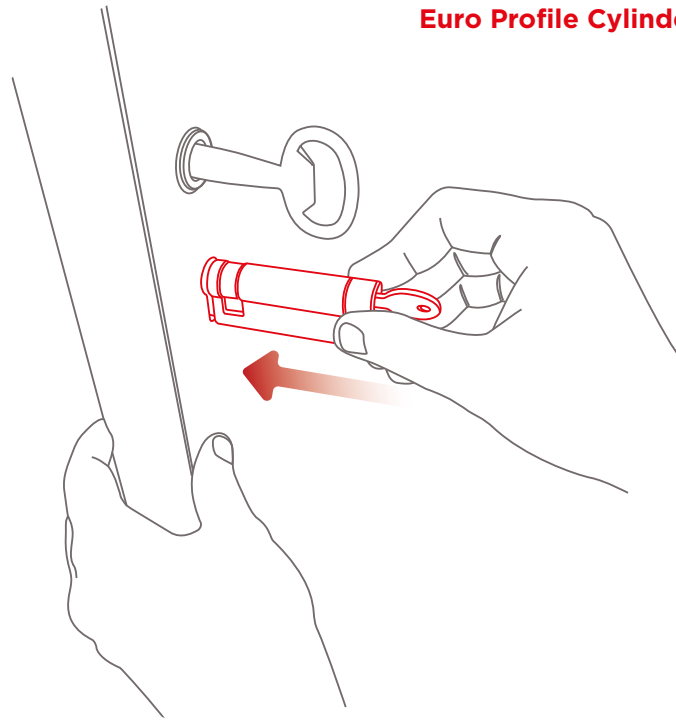




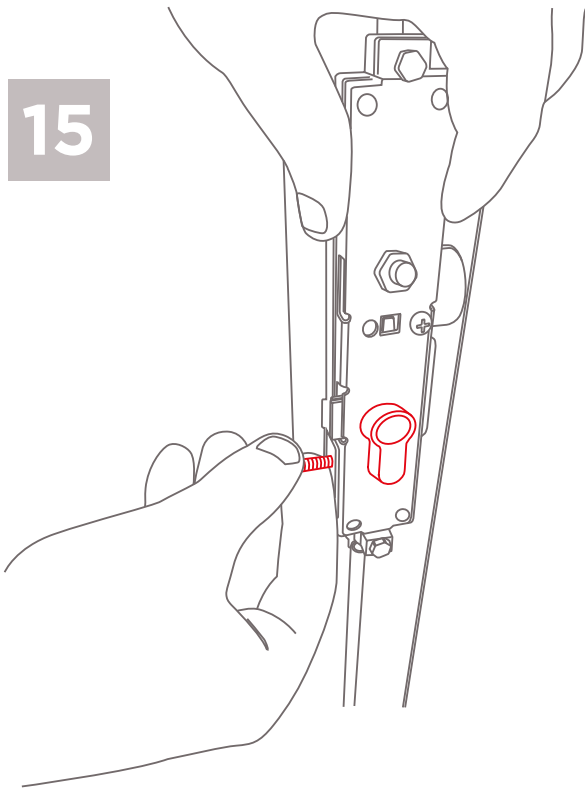


14

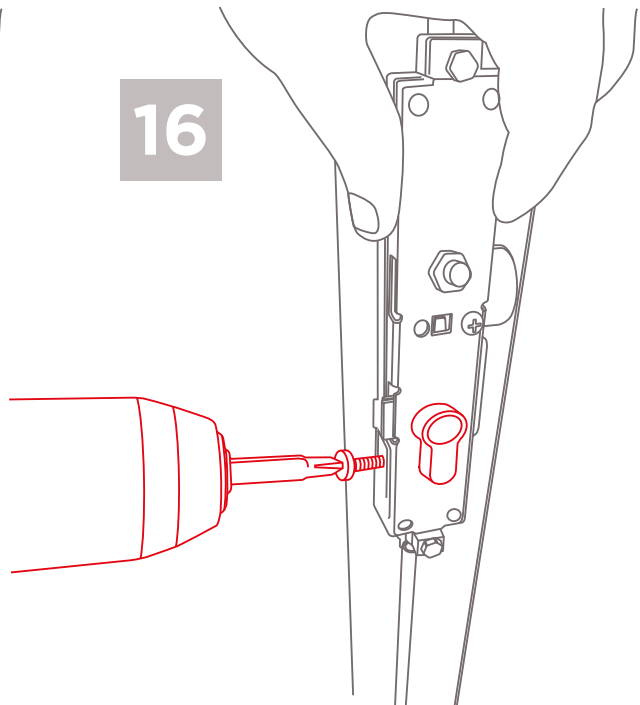
Euro Profile Cylinder version only.

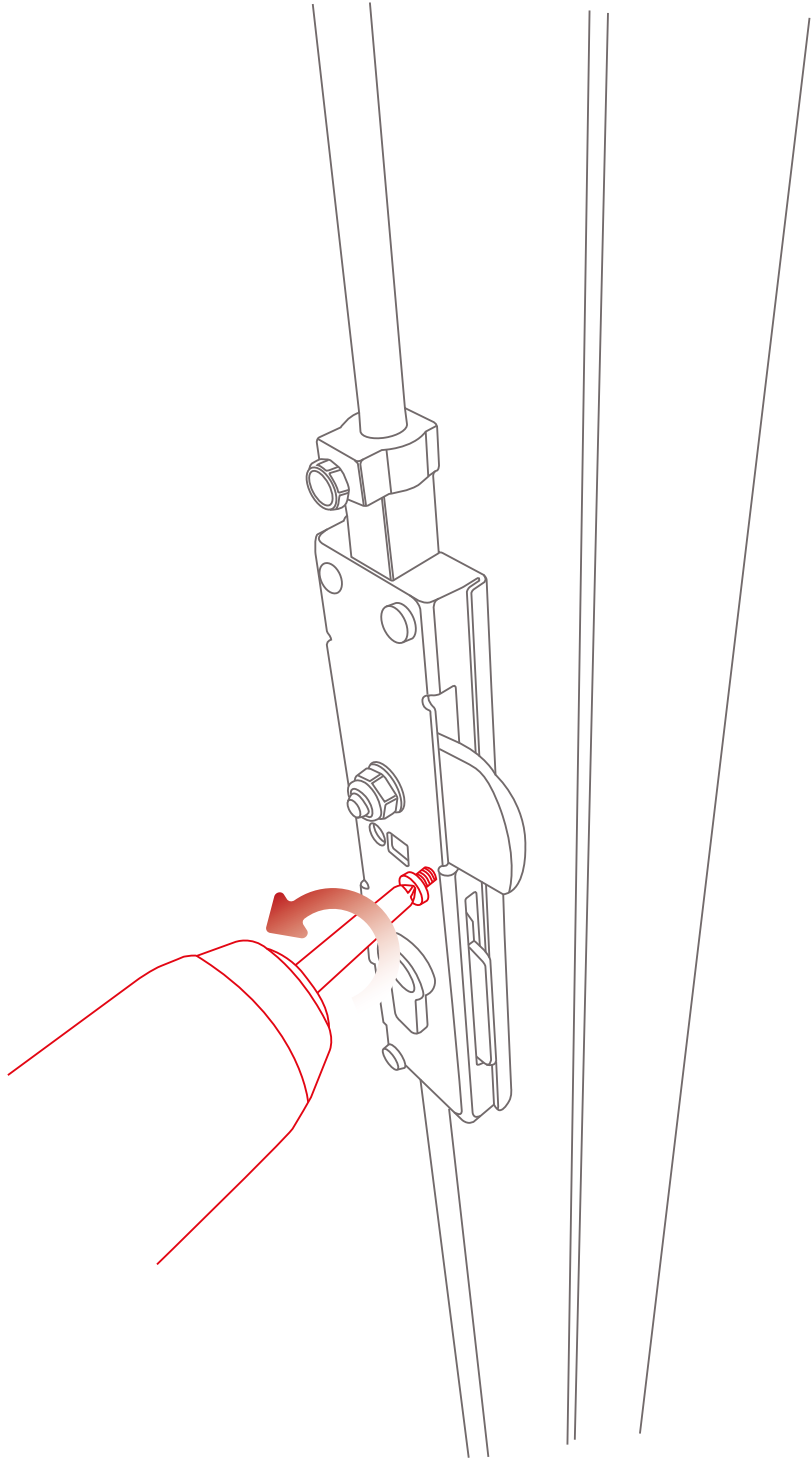


15



16





aspex

novista
riser

www.aspex-uk.co.uk

Aspex UK

Winchester Avenue
Blaby
Leicester
LE8 4GZ

T: 0116 278 3506
F: 0116 278 4069
E: sales@aspex-uk.co.uk
Company Registration: 05787953

Aspex Scotland

39 Deerdykes View,
Westfield,
Cumbernauld,
G68 9HN

T: 01236 720061
F: 01236 780170
E: scotland@aspex-uk.co.uk
Company Registration: 05787953