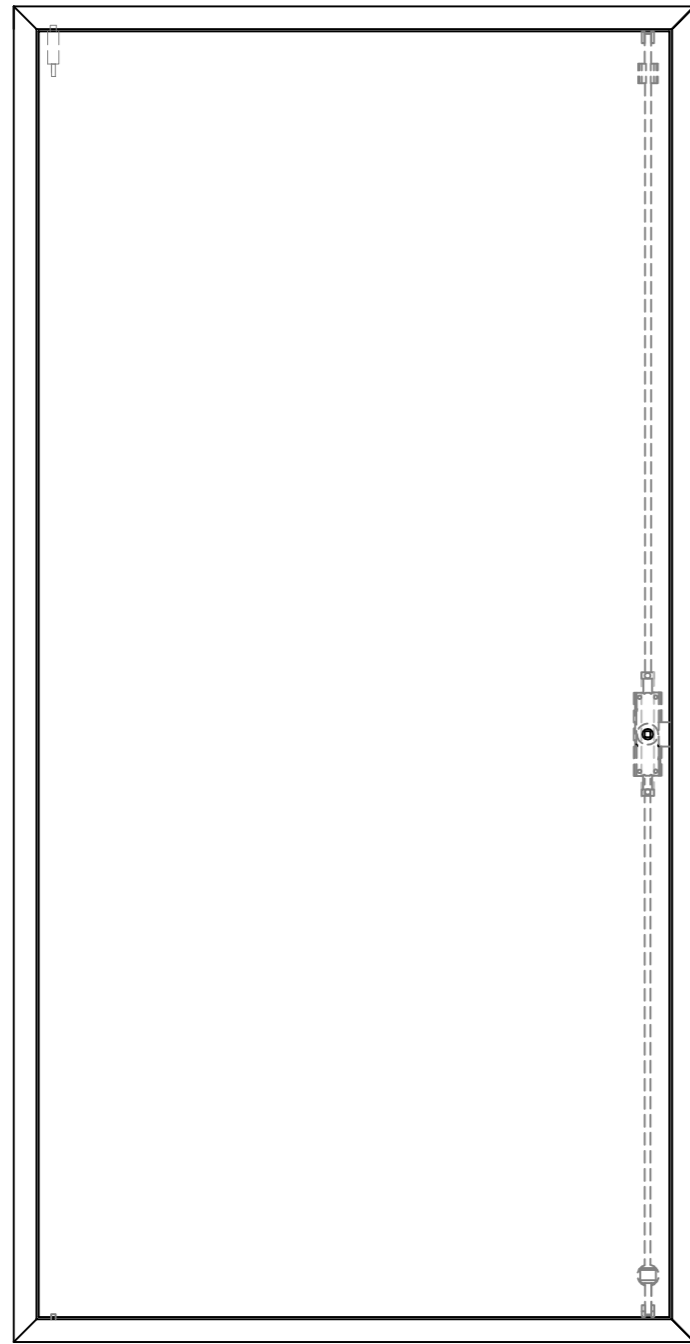
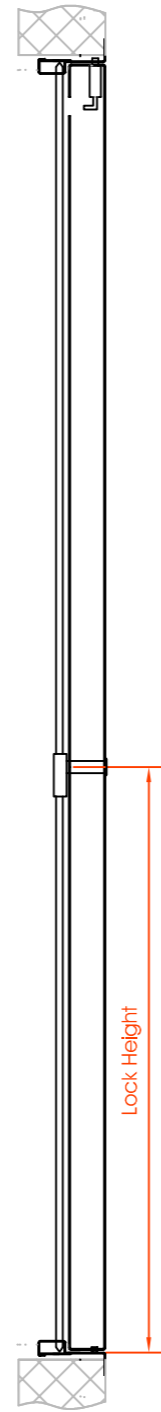


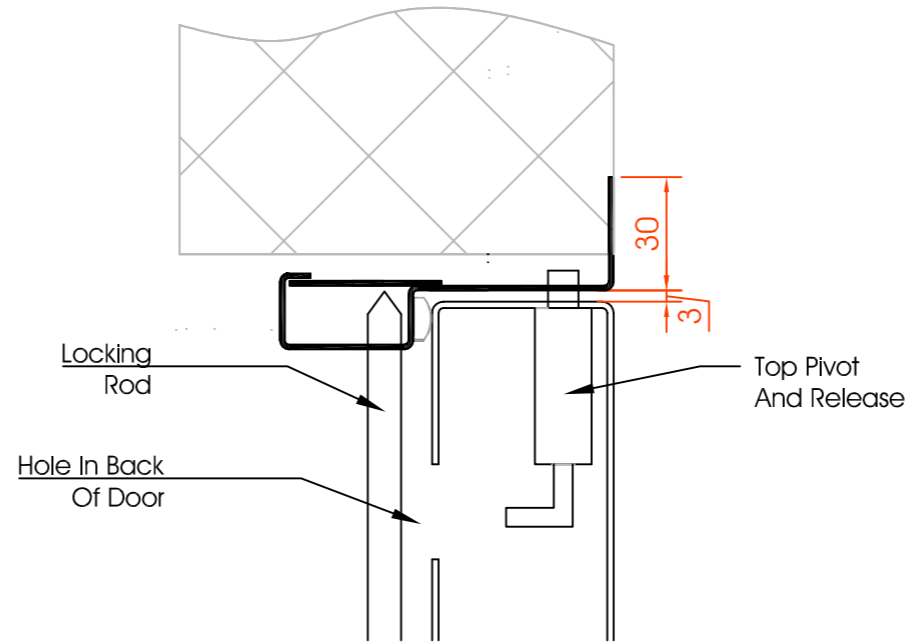
Elevation



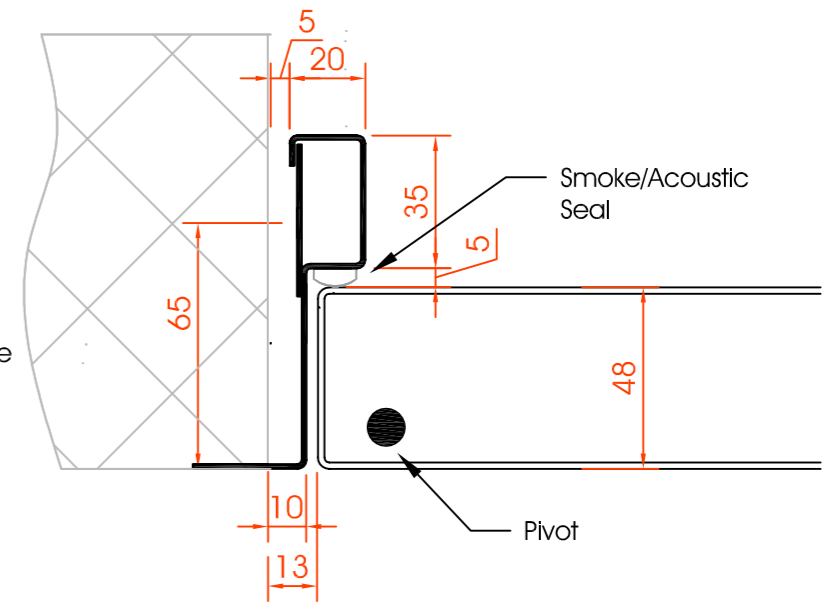
Lock Side



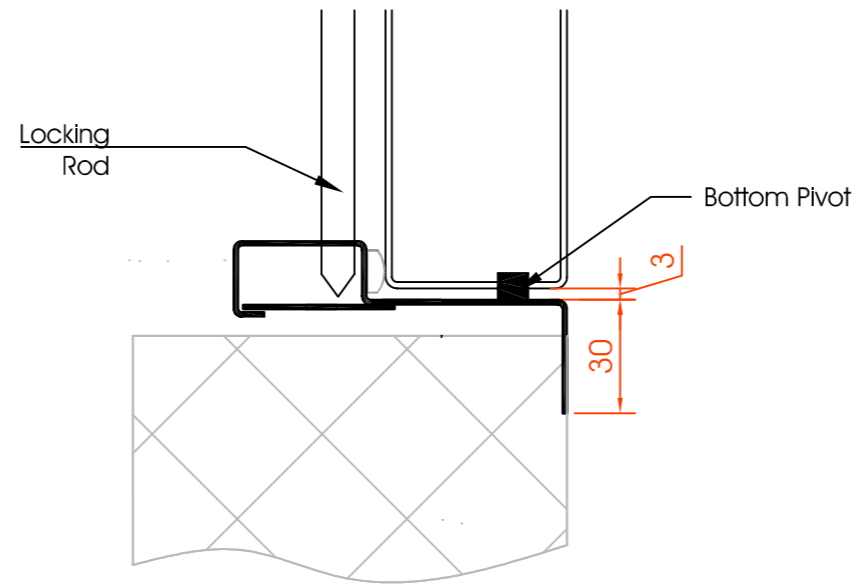
Top Section



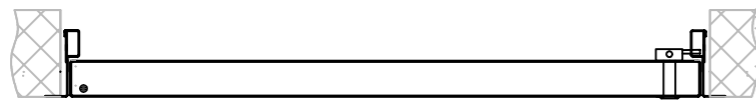
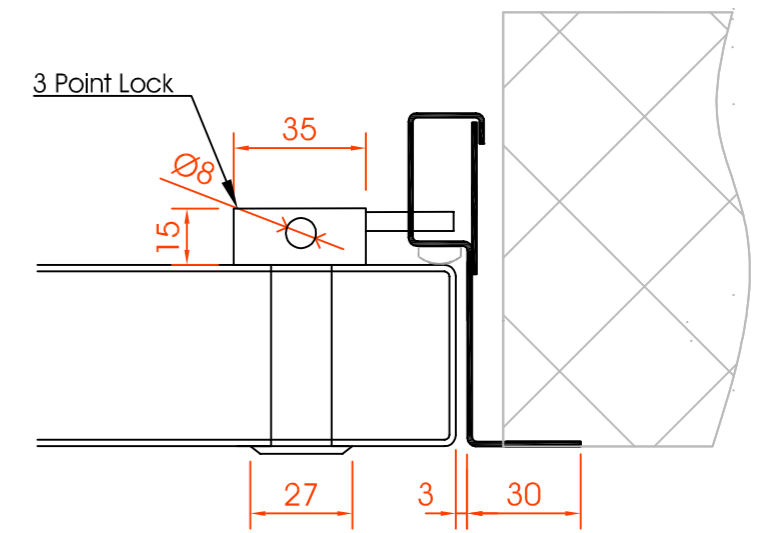
Frame/ Pivot



Bottom Section



Lock



Notes:

1. Do not scale drawings
2. Site verify all dimensions prior to construction
3. Report all discrepancies to Aspex immediately
4. Read in conjunction with all relevant documents and drawings

TITLE:

Novista Riser  
Picture Frame  
Single Steel Door Standard Lock - FD120



England and Wales Tel: 0116 278 3506  
Scotland and Ireland Tel: 0123 672 0061

WEB: [www.aspex-uk.co.uk](http://www.aspex-uk.co.uk)  
E-MAIL: [sales@aspex-uk.co.uk](mailto:sales@aspex-uk.co.uk)

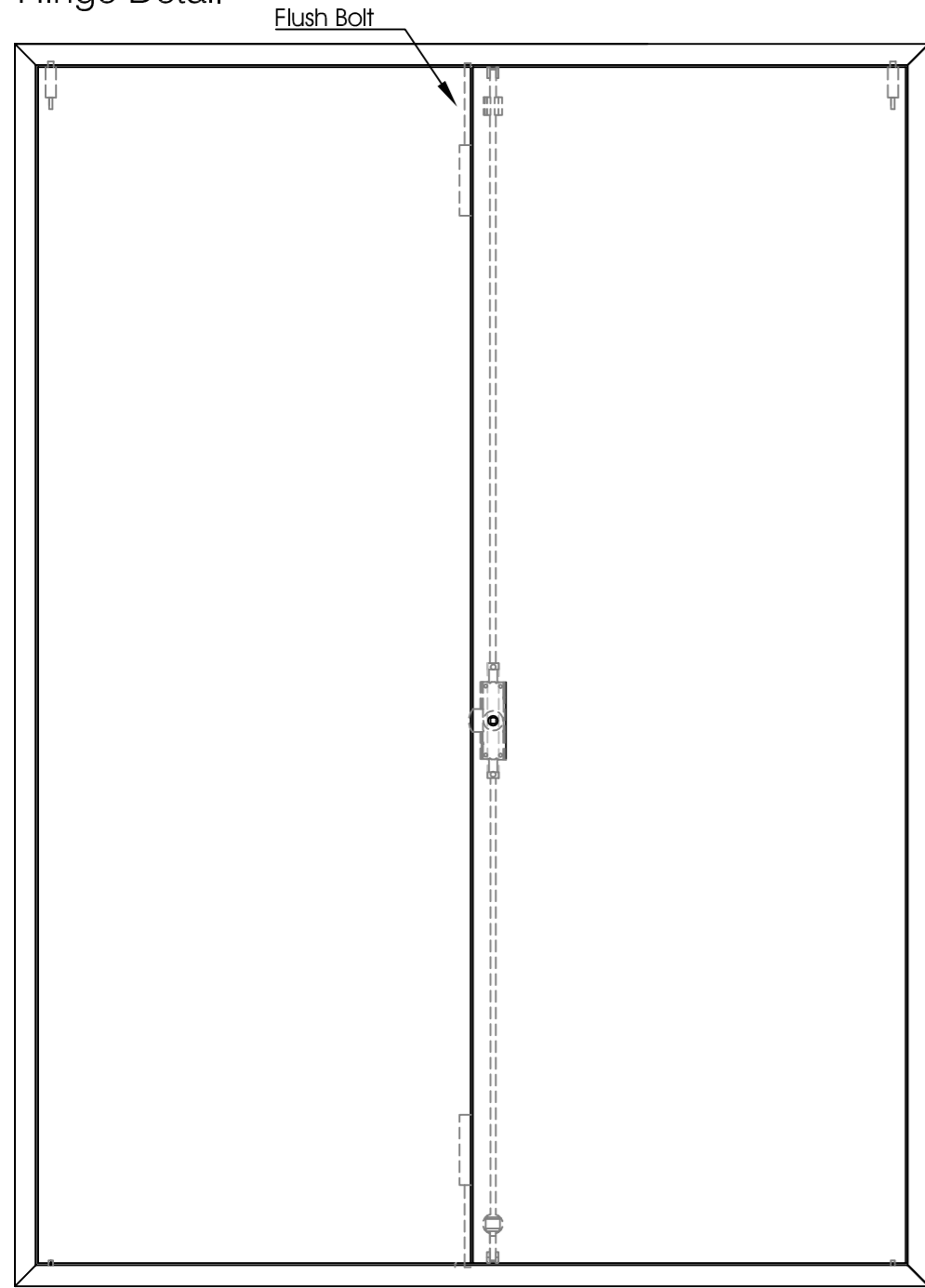
REV:	COMMENT:	DATE:
------	----------	-------

DRAWN BY IS	DATE: Nov 2017	SCALE NTS
----------------	-------------------	--------------

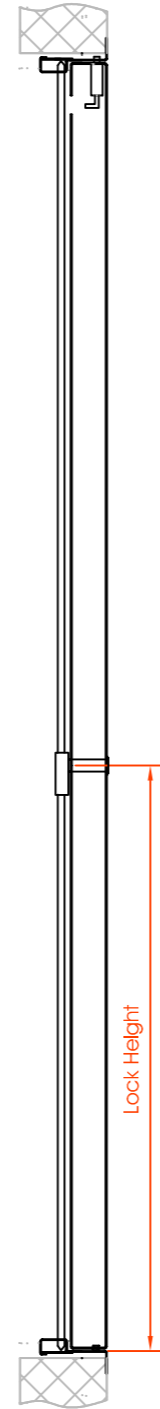
DWG No. **NR-42002-12-STE**

REV.

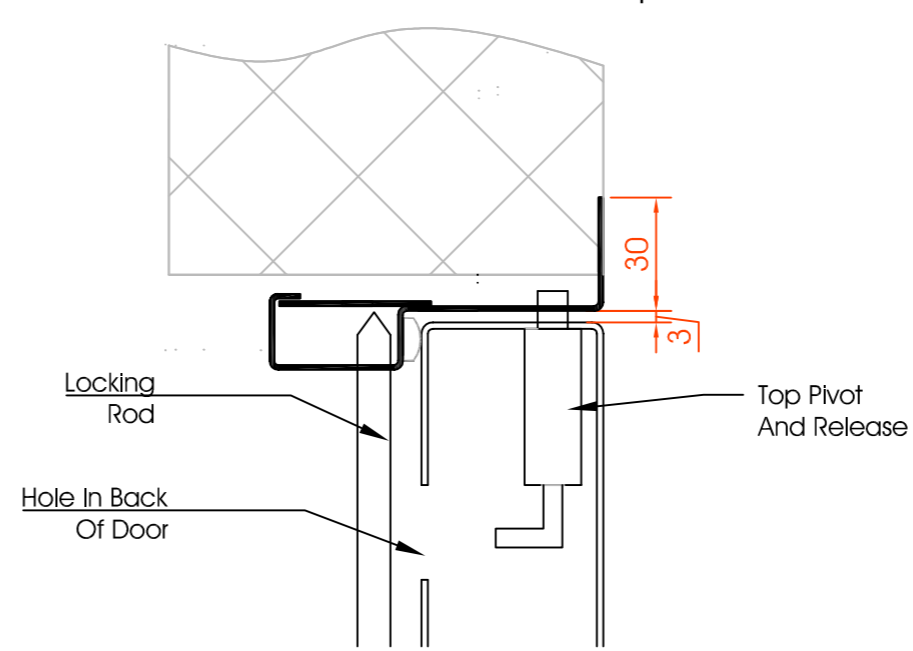
Hinge Detail



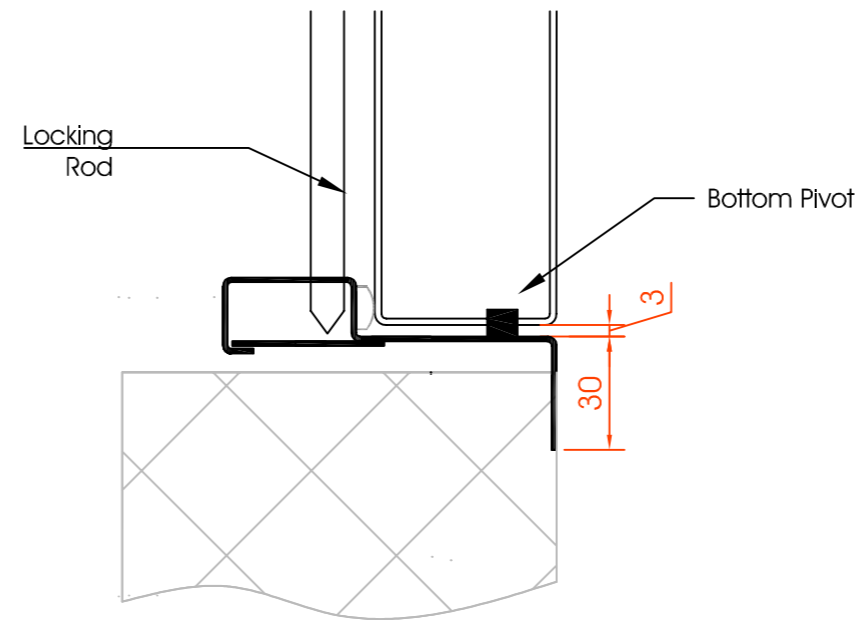
Lock Side



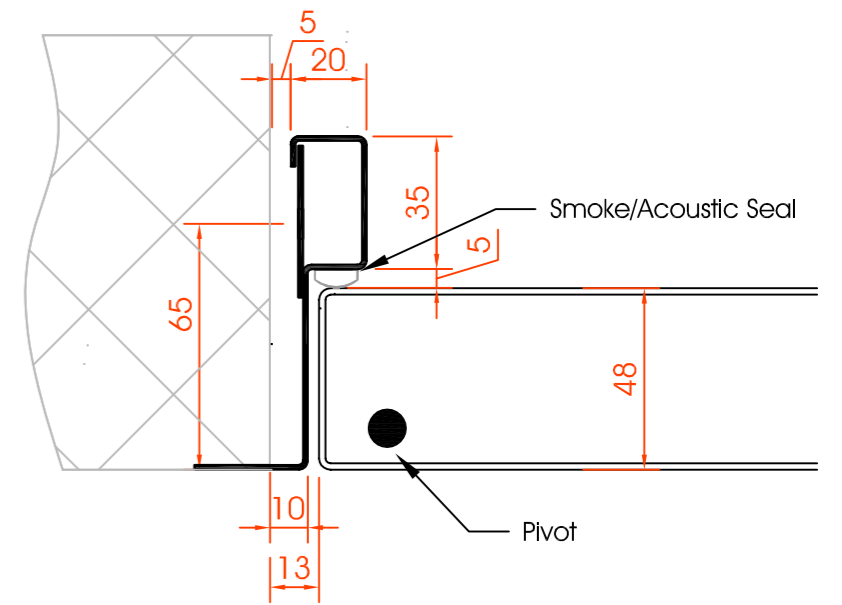
Top Section



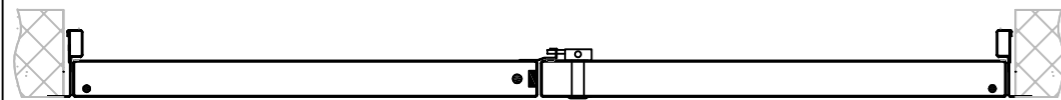
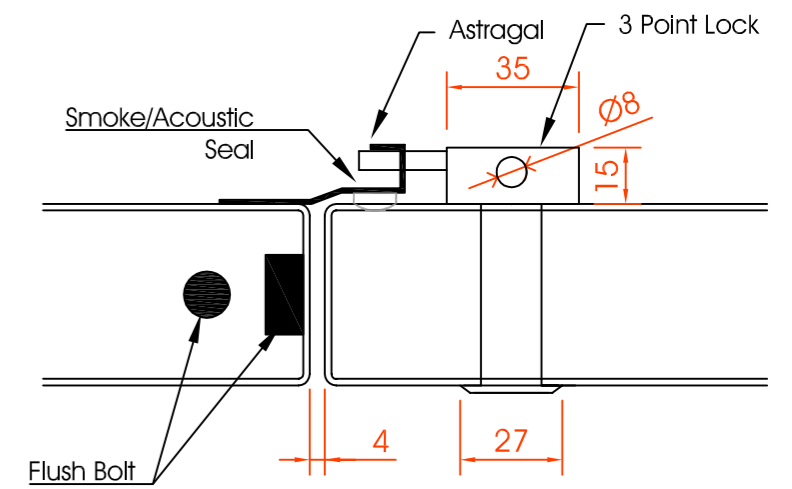
Bottom Section



Frame/Pivot



Lock



Notes:

1. Do not scale drawings
2. Site verify all dimensions prior to construction
3. Report all discrepancies to Aspex immediately
4. Read in conjunction with all relevant documents and drawings

TITLE:

Novista Riser  
Picture Frame  
Double Steel Door Standard Lock - FD120

DRAWN BY  
IS

DATE:  
Nov 2017

SCALE  
NTS



England and Wales Tel: 0116 278 3506  
Scotland and Ireland Tel: 0123 672 0061

WEB: [www.aspex-uk.co.uk](http://www.aspex-uk.co.uk)  
E-MAIL: [sales@aspex-uk.co.uk](mailto:sales@aspex-uk.co.uk)

DWG No.

NR-42003-12-STE

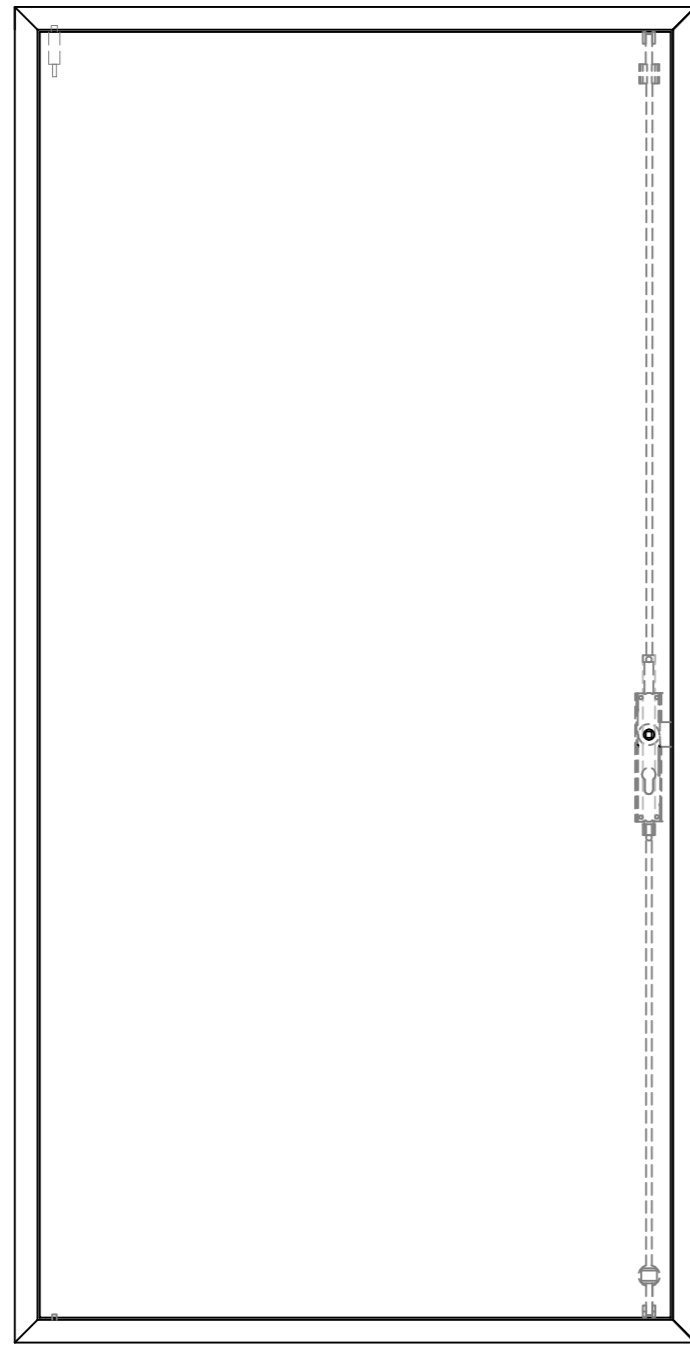
REV.

REV:

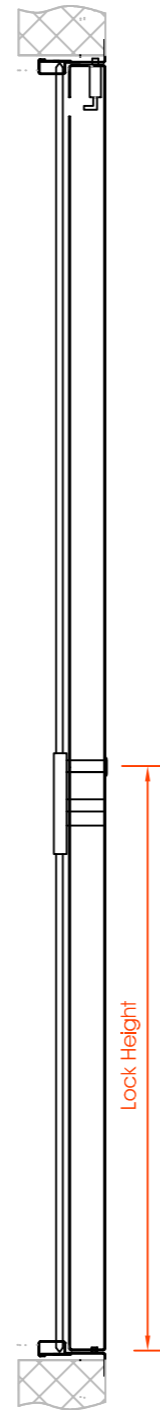
COMMENT:

DATE:

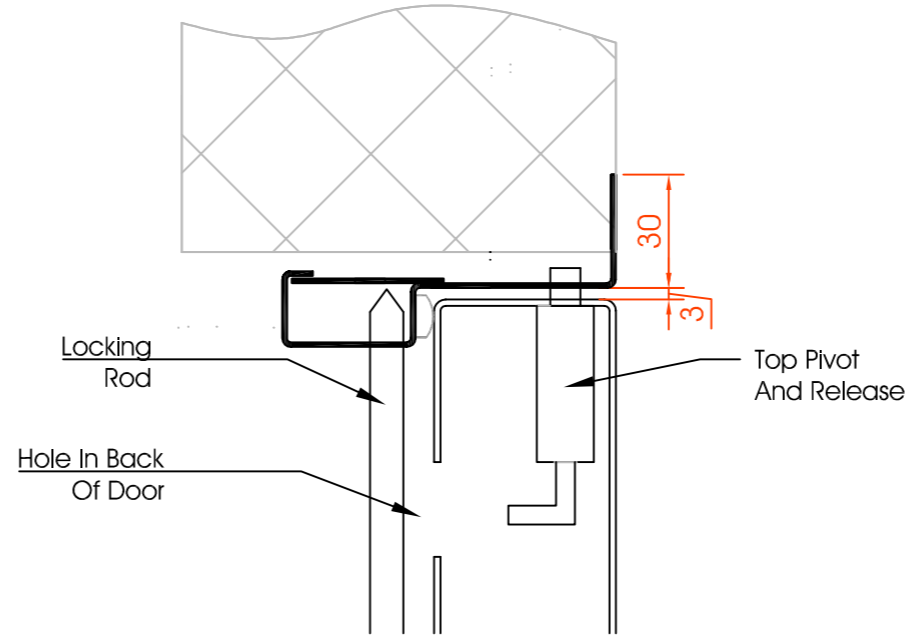
Elevation



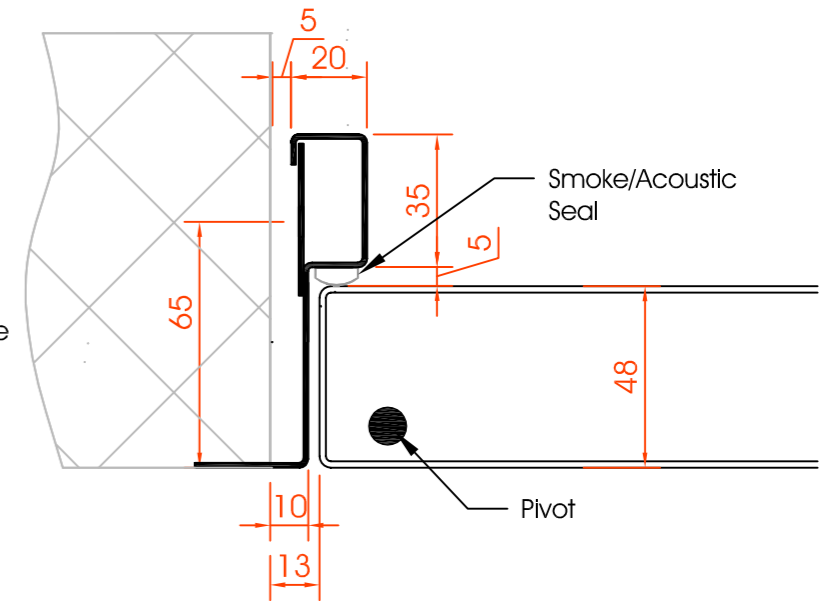
Lock Side



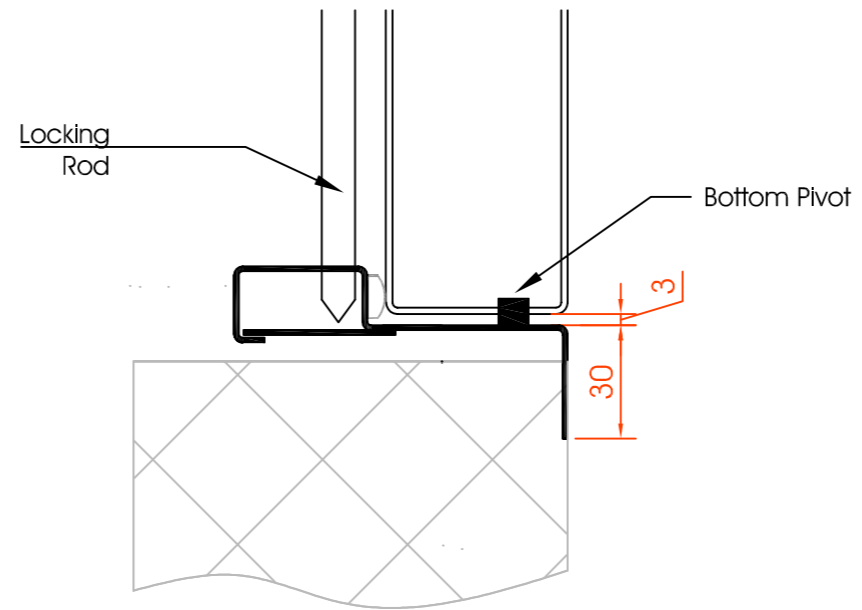
Top Section



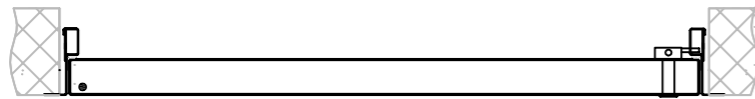
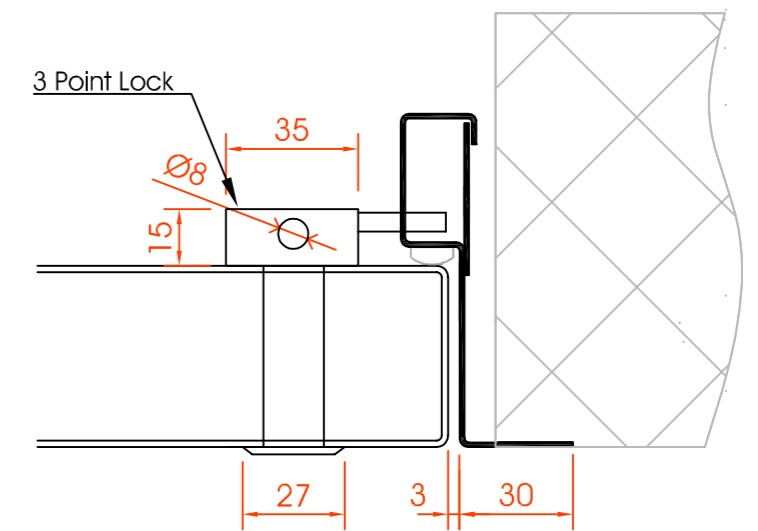
Frame/ Pivot



Bottom Section



Lock



Notes:

1. Do not scale drawings
2. Site verify all dimensions prior to construction
3. Report all discrepancies to Aspex immediately
4. Read in conjunction with all relevant documents and drawings

TITLE:

Novista Riser  
Picture Frame  
Single Steel Door Euro Lock - FD120



England and Wales Tel: 0116 278 3506  
Scotland and Ireland Tel: 0123 672 0061

WEB: [www.aspex-uk.co.uk](http://www.aspex-uk.co.uk)  
E-MAIL: [sales@aspex-uk.co.uk](mailto:sales@aspex-uk.co.uk)

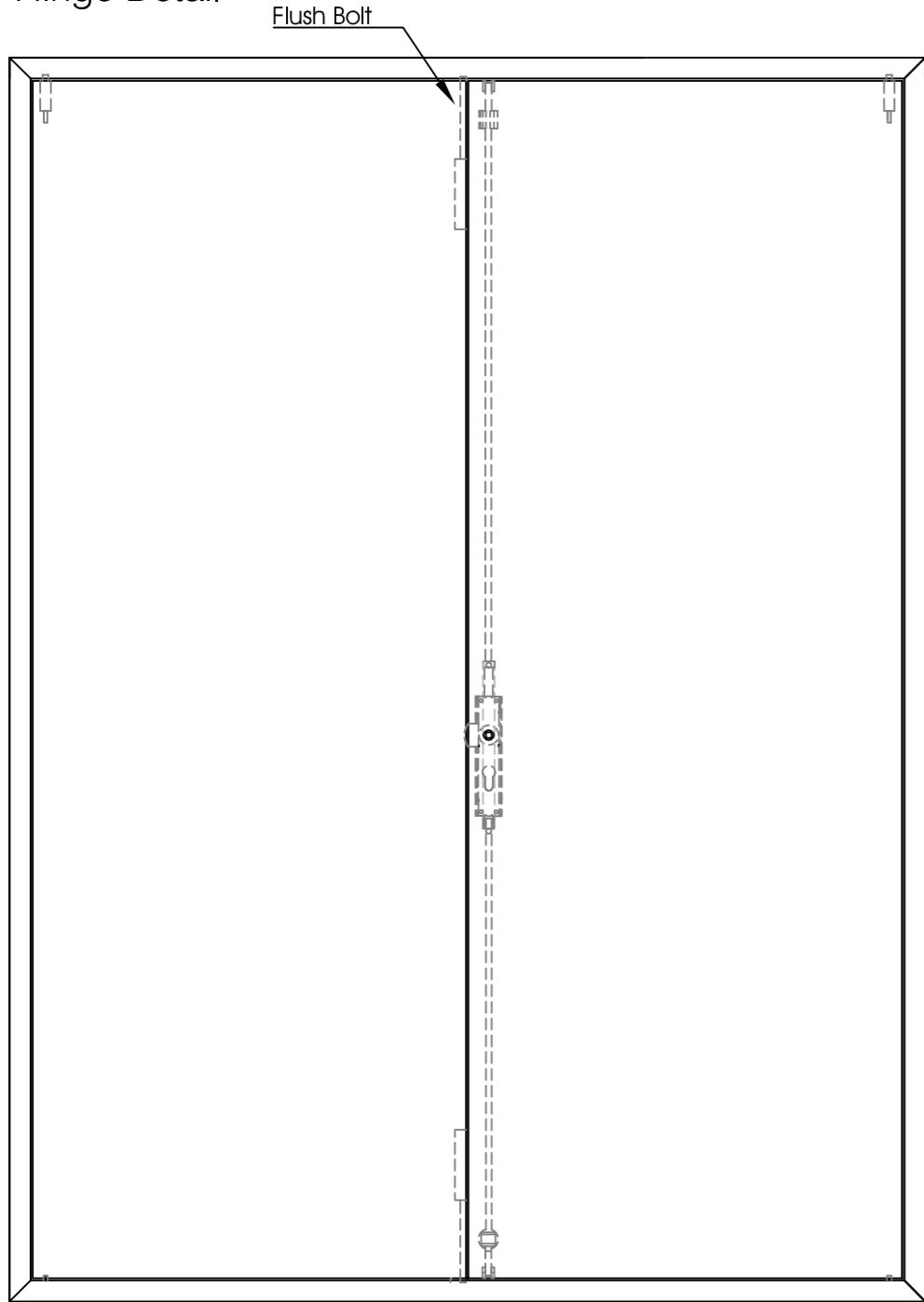
REV:	COMMENT:	DATE:
------	----------	-------

DRAWN BY IS	DATE: Nov 2017	SCALE NTS
----------------	-------------------	--------------

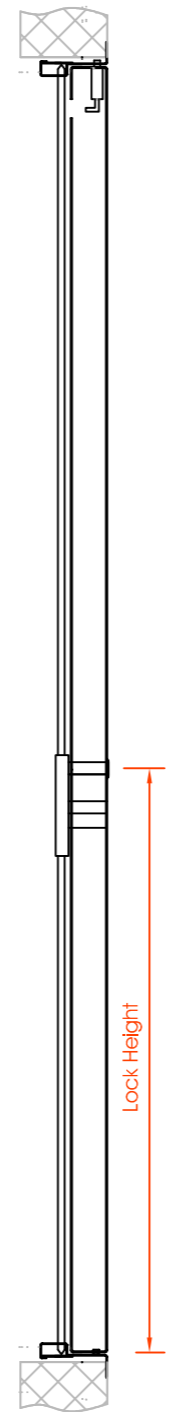
DWG No. **NR-42102-12-STE**

REV.

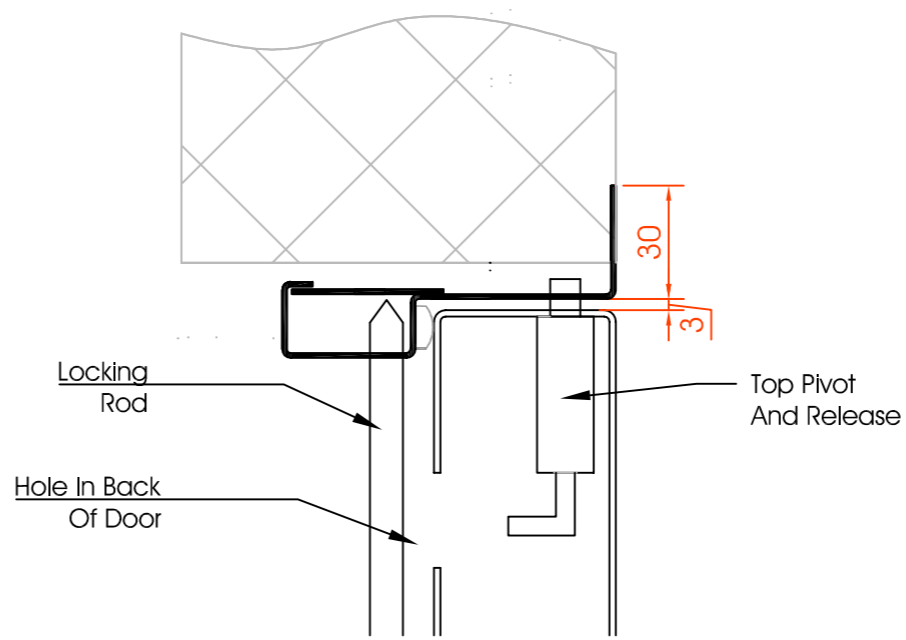
Hinge Detail



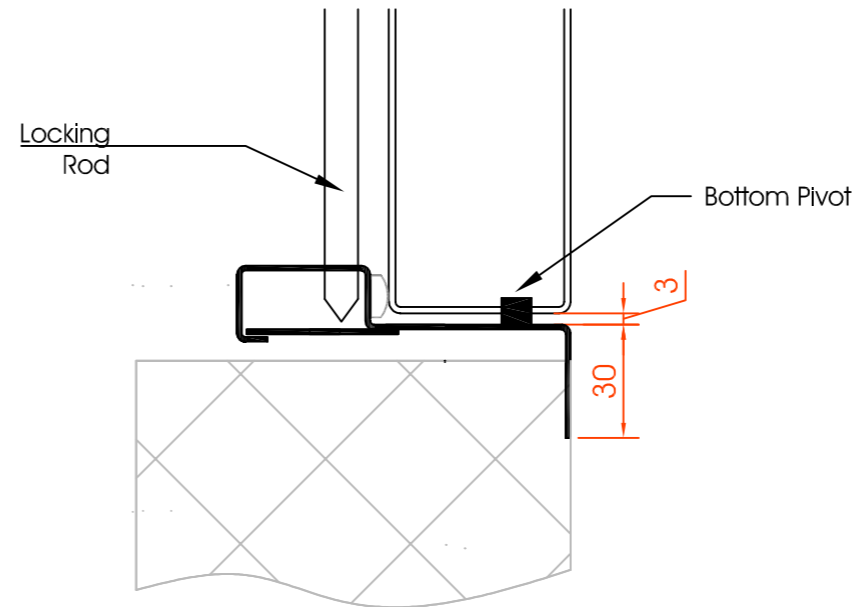
Lock Side



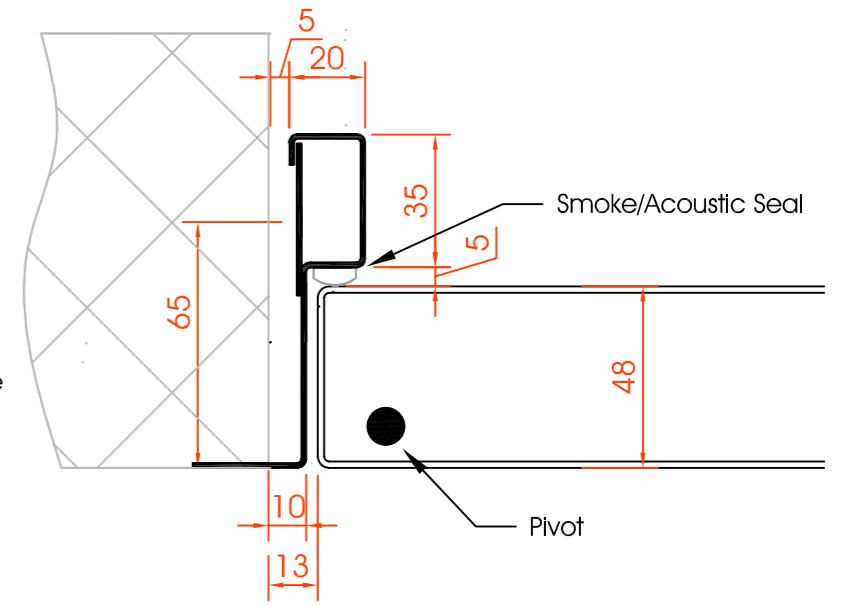
Top Section



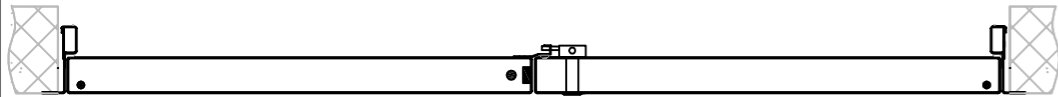
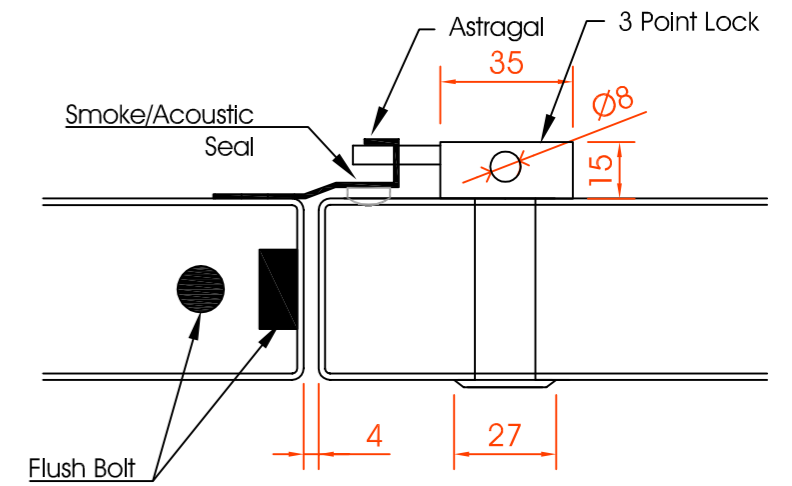
Bottom Section



Frame/Pivot



Lock



REV:	COMMENT:	DATE:

Notes:

1. Do not scale drawings
2. Site verify all dimensions prior to construction
3. Report all discrepancies to Aspex immediately
4. Read in conjunction with all relevant documents and drawings

TITLE: Novista Riser Picture Frame Double Steel Door Euro Lock - FD120		
DRAWN BY IS	DATE: Nov 2017	SCALE NTS



England and Wales Tel: 0116 278 3506  
Scotland and Ireland Tel: 0123 672 0061

WEB: [www.aspex-uk.co.uk](http://www.aspex-uk.co.uk)  
E-MAIL: [sales@aspex-uk.co.uk](mailto:sales@aspex-uk.co.uk)

DWG No. <b>NR-42103-12-STE</b>	REV. 
-----------------------------------	----------