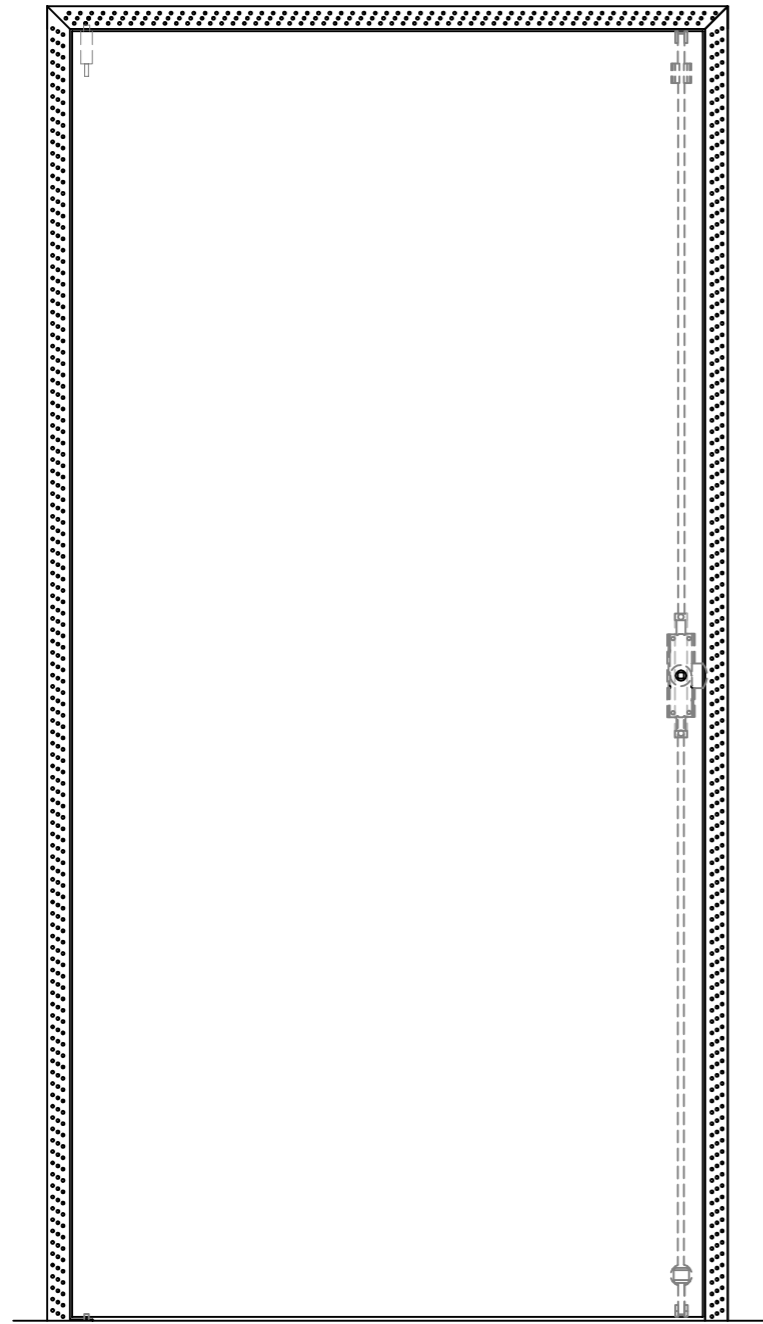
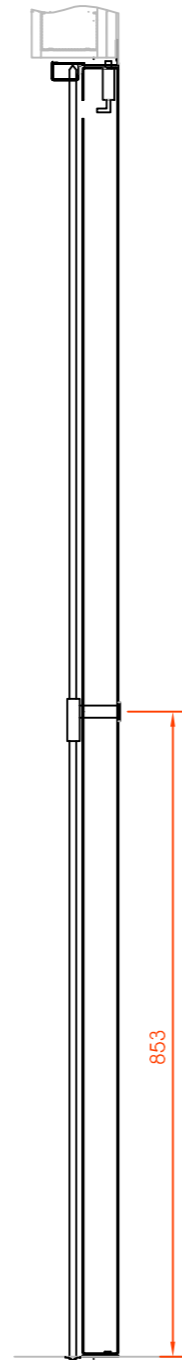


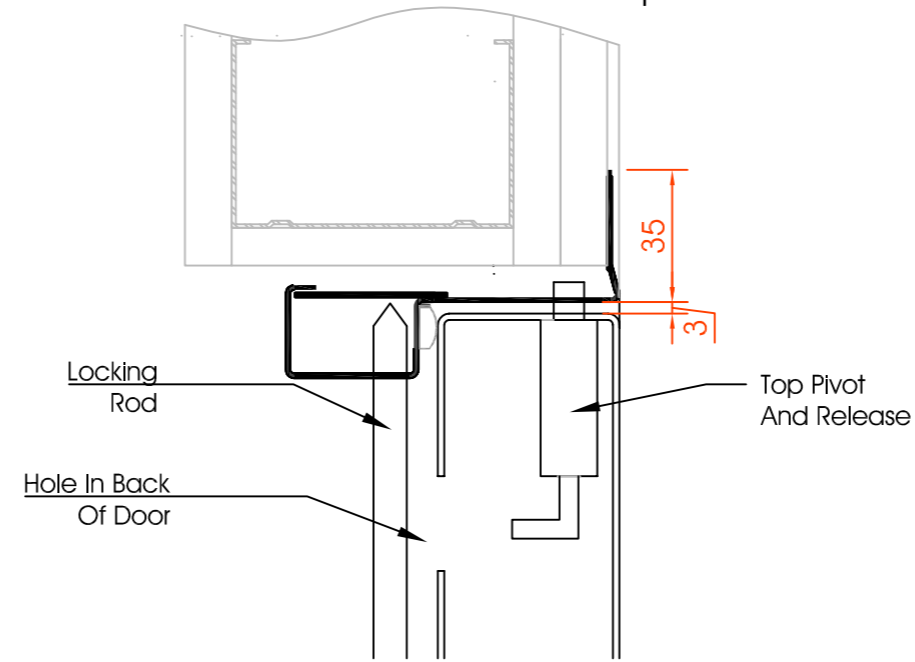
Elevation



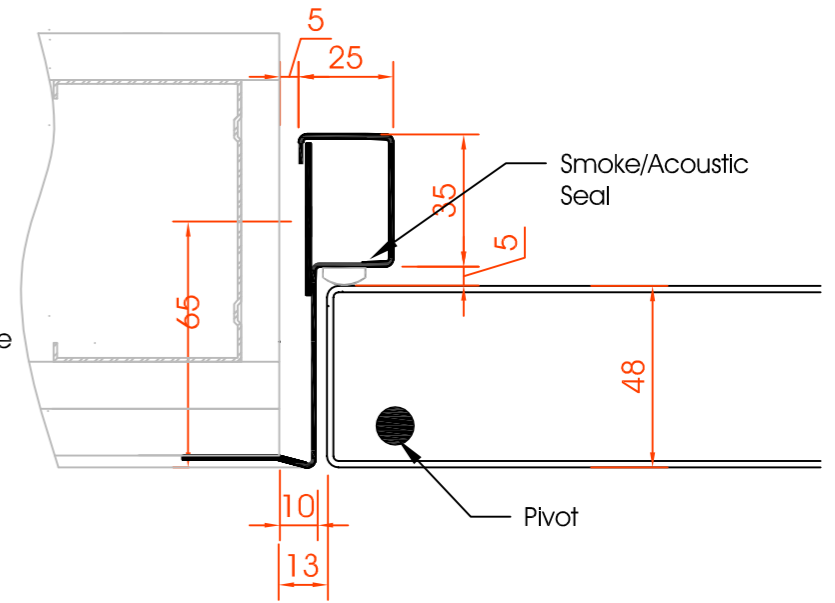
Lock Side



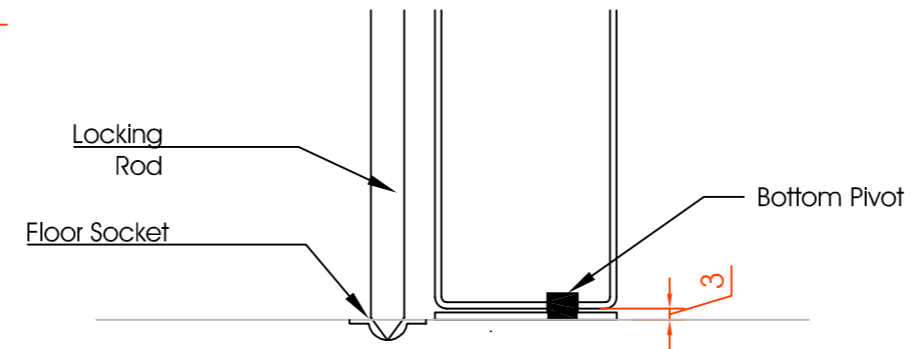
Top Section



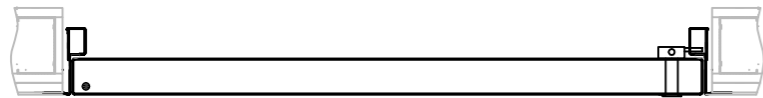
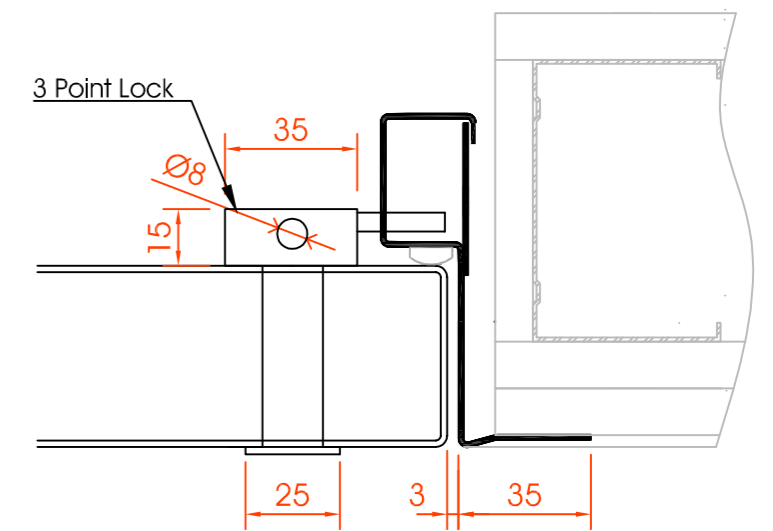
Frame/ Pivot



Bottom Section



Lock



Notes:

1. Do not scale drawings
2. Site verify all dimensions prior to construction
3. Report all discrepancies to Aspex immediately
4. Read in conjunction with all relevant documents and drawings

B	Floor Detail Revised	05/01/17
A	Frame Detail Revised	18/12/17
REV:	COMMENT:	DATE:

TITLE:

Novista Riser  
 Double Boarded Wall - 3 Sided  
 Single Steel Door Standard Lock - FD120

DRAWN BY: IS      DATE: Nov 2017      SCALE: NTS



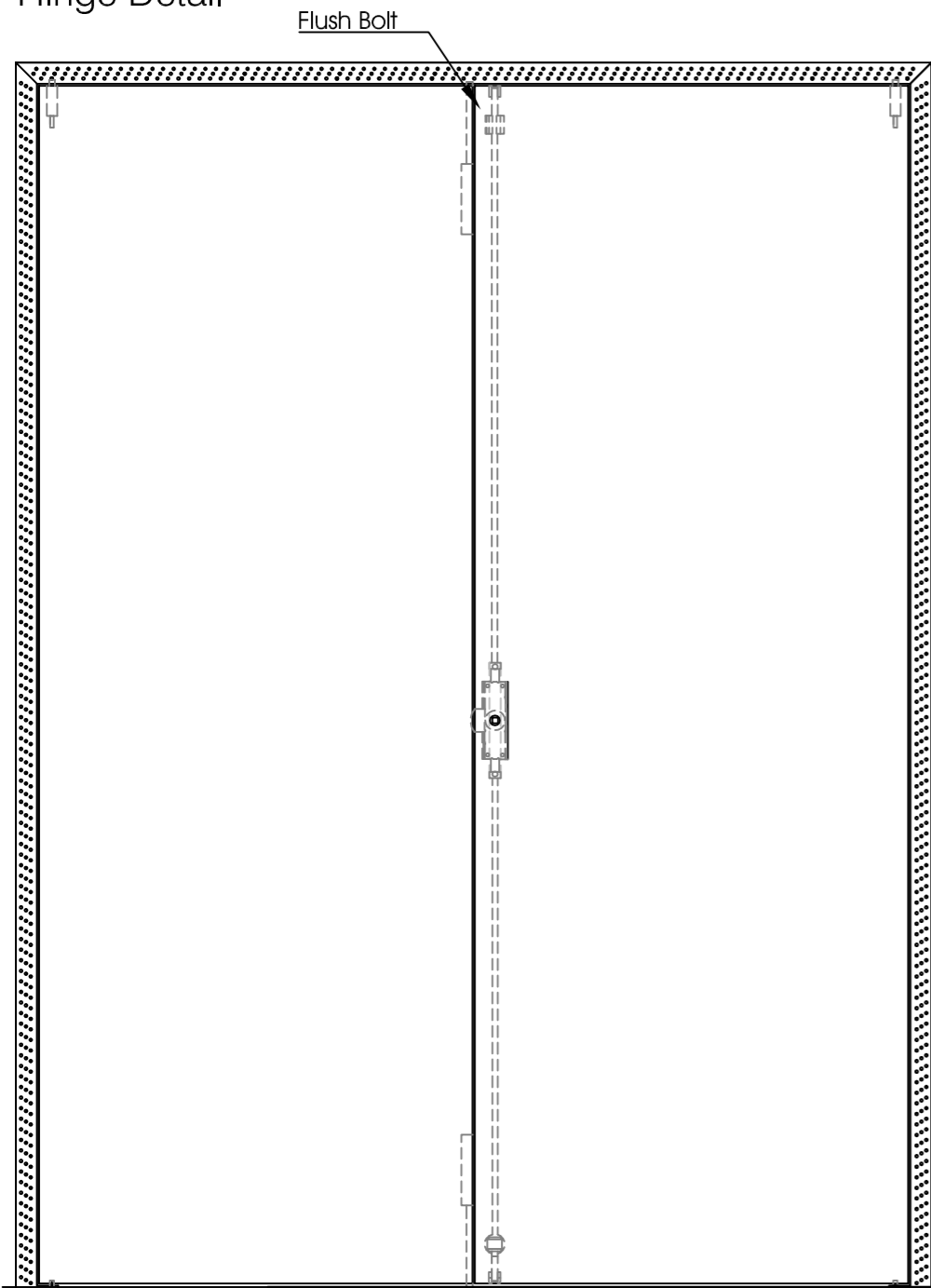
England and Wales Tel: 0116 278 3506  
 Scotland and Ireland Tel: 0123 672 0061

WEB: www.aspex-uk.co.uk  
 E-MAIL: sales@aspex-uk.co.uk

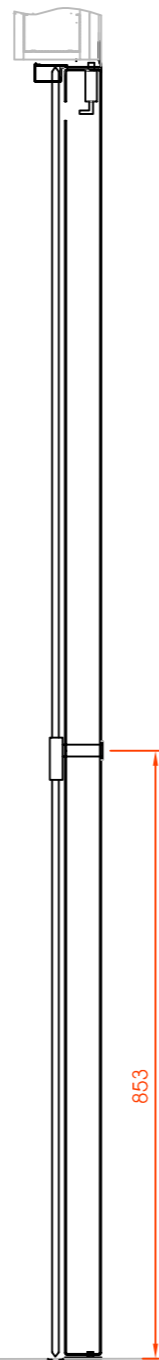
DWG No. NR-42005-12-STE

REV. B

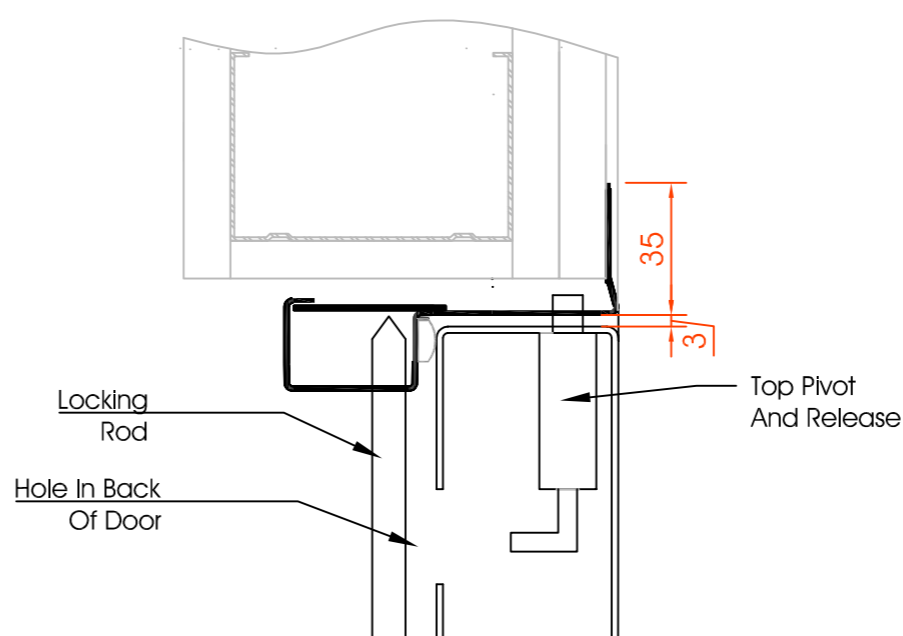
Hinge Detail



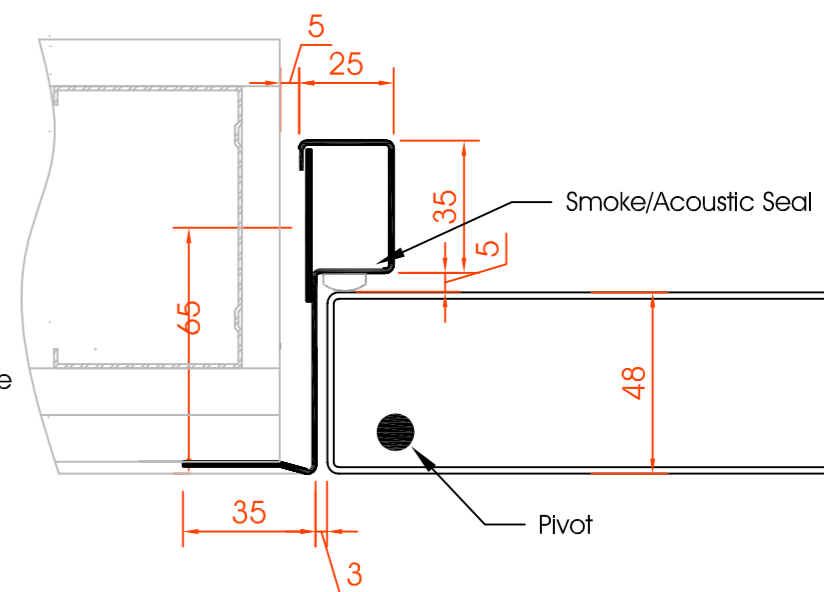
Lock Side



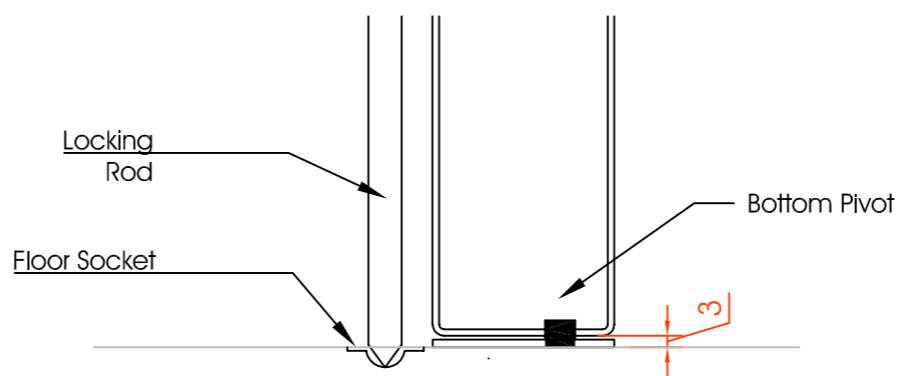
Top Section



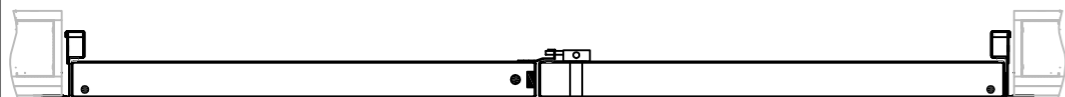
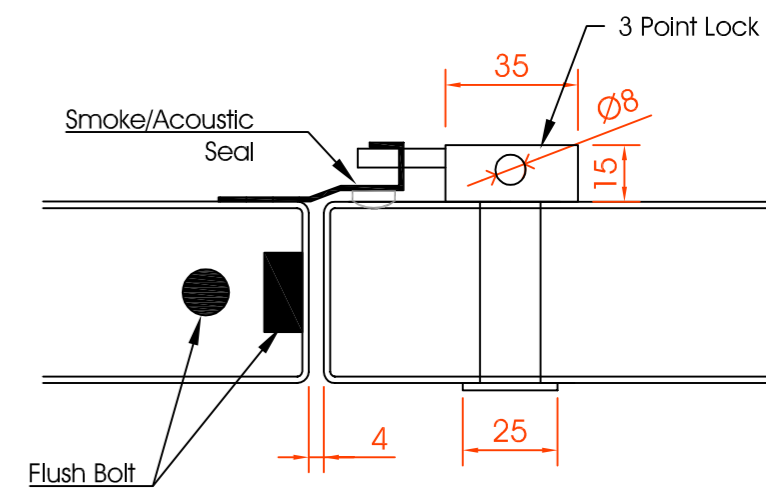
Frame/Pivot



Bottom Section



Lock



B	Floor Detail Revised	05/01/17
A	Frame Detail Revised	18/12/17
REV:	COMMENT:	DATE:

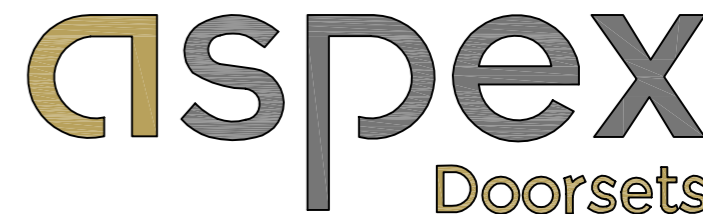
Notes:

1. Do not scale drawings
2. Site verify all dimensions prior to construction
3. Report all discrepancies to Aspex immediately
4. Read in conjunction with all relevant documents and drawings

TITLE:

Novista Riser  
 Double Boarded Wall - 3 Sided  
 Double Steel Door Standard Lock - FD120

DRAWN BY: IS      DATE: MAY 2016      SCALE: NTS



England and Wales Tel: 0116 278 3506  
 Scotland and Ireland Tel: 0123 672 0061

WEB: www.aspex-uk.co.uk  
 E-MAIL: sales@aspex-uk.co.uk

DWG No. NR-42006-12-STE

REV. B