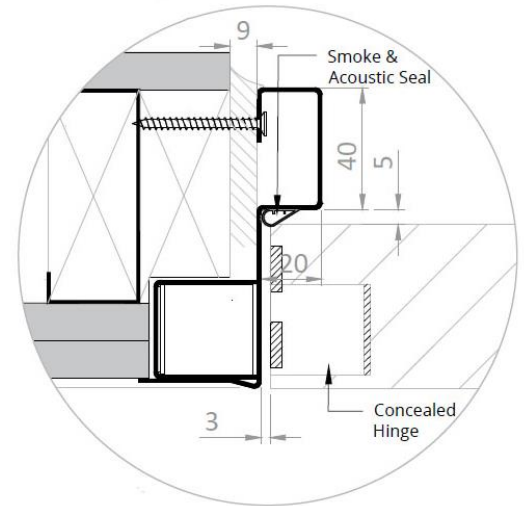


Novista Riser Timber



Frame	Concealed/Picture frame design made from 1.2mm steel. 3 or 4 sided frame options
Leaf	Solid core to suit application*
Finish	Primed, veneer or laminated facing
Configurations	Single leaf & double leaf
Leaf Height/width	FD30, up to 2500mm high and 800mm wide leaves* FD60, up to 2420mm high and 850mm wide*
Hinge	Concealed 3D adjustable or standard hinge option
Locking	Deadlock with square key or Europrofile cylinder operation

*Please consult our technical department

Performance

Fire Rating - FD30/60

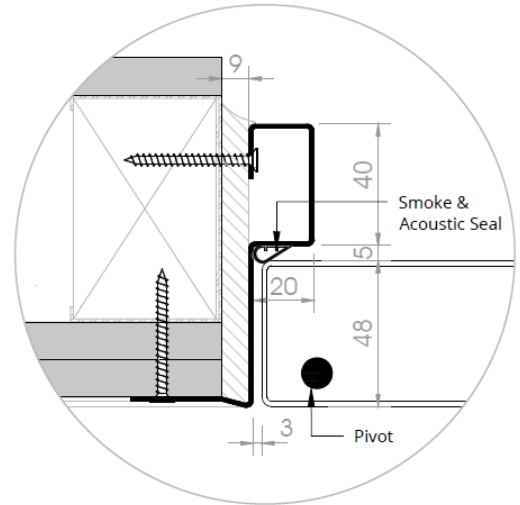
Acoustic Rating - up to 35dB Rw

Smoke/Air tested - To BS6375-1, BSEN1634-3 and to BSEN13501-2

Thermal Resistance - Consult technical dept.



Novista Riser Steel



Frame	Concealed/Picture frame design made from 1.2mm steel. 3 or 4 sided frame options
Leaf	Double skin 1.0mm Zintec Steel with glass wool insulated core. 48mm thick
Finish	Primed or Polyester Powder Coat to RAL colour options
Configurations	Single leaf, double leaf and up to six leaves within one frame
Leaf Height/width	Up to 2850mm high and 1150mm wide leaves (please consult our technical department)
Hinge	Concealed quick release pivot hinge operation
Locking	3 point security lock as standard with square key operation. Cylinder option available
Concealed lock option	Hides the chosen lock mechanism behind a flush hinged pocket
Bi-Directional fire testing	In line with current construction trends, Novista Risers are tested from both directions of attack from fire

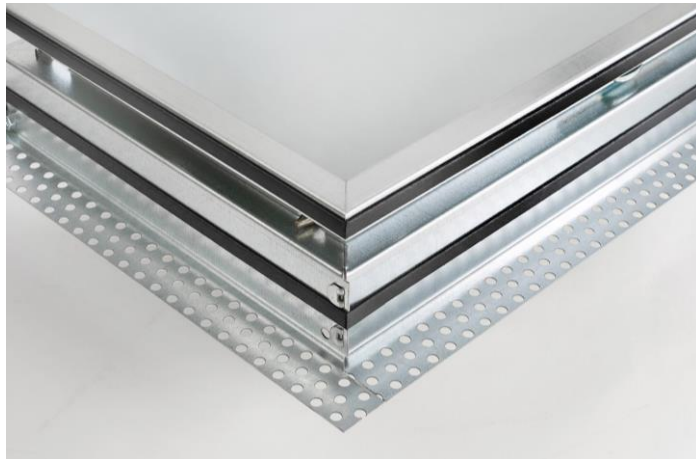
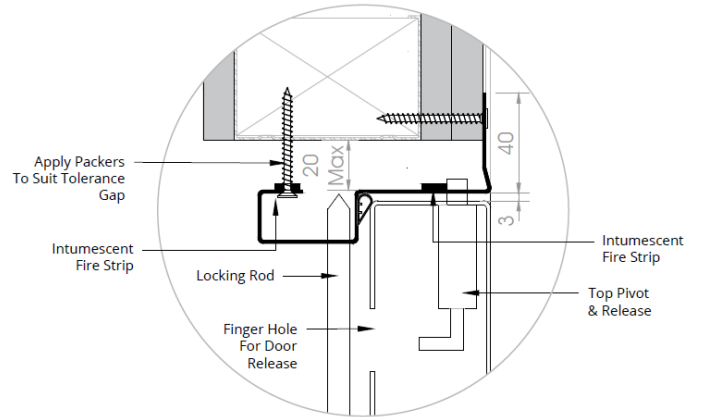
Performance

- Fire Rating** – FD120 (as standard)
- Acoustic Rating** – 41dB Rw (as standard)
- Smoke/Air tested** – To BS6375-1, BSEN1634-3 and to BSEN13501-2
- Thermal Resistance** – 1.43(m2K)/W



OPTIONAL

Novista Riser Steel – Intu-frame



Dry Intumescent Frame (option)

Factory-fitted frame intumescent fire rated to FD60 for tolerance gaps up to 20mm. Takes the place of fire foam

Bi-Directional fire testing

In line with current construction trends, Novista Risers are tested from both directions of attack from fire when fitted with intu-frame protection option

Novista Riser Performance

Fire Rating – FD120 (as standard)

Acoustic Rating – 41dB Rw (as standard)

Smoke/Air tested – To BS6375-1, BSEN1634-3 and to BSEN13501-2

Thermal Resistance – 1.43(m2K)/W



OPTIONAL

Novista Riser Steel – Flip-lock (Concealed lock)



Concealed lock option

Flip lock hides chosen lock mechanism behind a flush hinged pocket. FD60 fire rated and bi-directionally tested.

Novista Riser Performance

Fire Rating – FD120 (as standard)

Acoustic Rating – 41dB Rw (as standard)

Smoke/Air tested – To BS6375-1, BSEN1634-3 and to BSEN13501-2

Thermal Resistance – 1.43(m2K)/W

