

ironmongery



aspex



integra ironmongery

The Integra range of architectural ironmongery is exclusively available from Aspex.

Aspex was formed in 2006 and is a business that is founded on a long established family history of success and innovation within the architectural ironmongery industry.

The staff at Aspex have extensive technical knowledge and can give advice on a wide variety of issues including product information and compliance with standards and building regulations.

The Integra range incorporates a full range of products including door furniture, hinges, locks and closing devices together with ancillary items such as door stops and signage.

All of these products are all available in matching finishes of either stainless steel or aluminium.



Contents

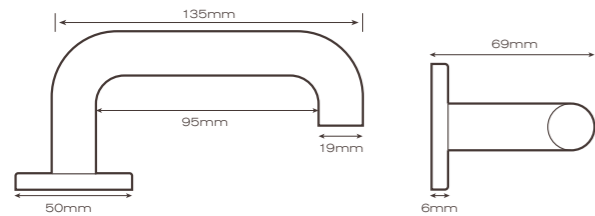
	Page
• Door Furniture	4-31
• Locks & Bolts	32-36
• Digital Locks	37
• Panic Hardware	38-40
• Door Closers	41-51
• Signs	52-53
• Finger Protection	54-55
• Thresholds	55
• Hinges & Pivots	56-58
• Ancillary Items	59
• Access Control	60-61
• Automatic Door Operators	62-63
• Electronic Locking & Accessories	64-66

Safety Lever Handle

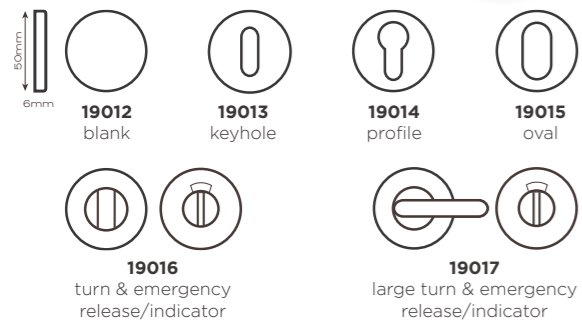


12193 - 19mm diameter lever handle

- Manufactured from grade 304 stainless steel
- 50x6mm sprung rose
- Through fixed roses
- Spindle fast fixing system prevents the lever from pulling off the door
- Concealed fixings to prevent illegal tampering
- Lever fixed to metal inner rose
- Tested to EN1906 durability grade 3
- Dimensions comply with the requirements of BS8300 and Approved Document M
- EN1906 Classification number: 37-1140B
- CE Marked



Accessories



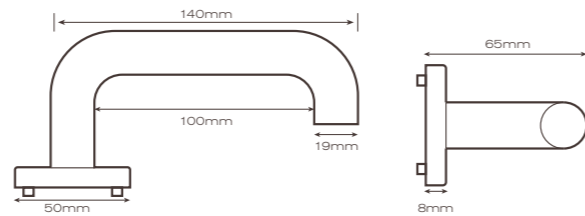
Finishes: SSS Satin Stainless Steel
PSS Polished Stainless Steel

Heavy Duty Safety Lever Handle

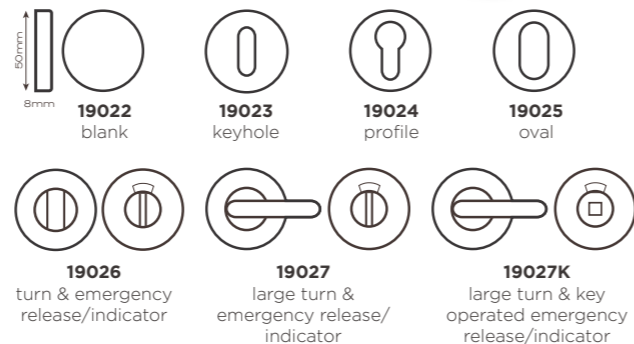


15194 - 19mm diameter lever handle

- Manufactured from grade 304 stainless steel
- 50x8mm solid cast sprung rose with lug supports
- Through fixed roses
- Spindle fast fixing system prevents levers from pulling off the doors
- Concealed fixings to prevent illegal tampering
- Lever fixed to metal inner rose
- Tested to EN1906 durability grade 4
- Dimensions comply with the requirements of BS8300 and Approved Document M
- EN1906 Classification number: 47-1140B
- CE Marked

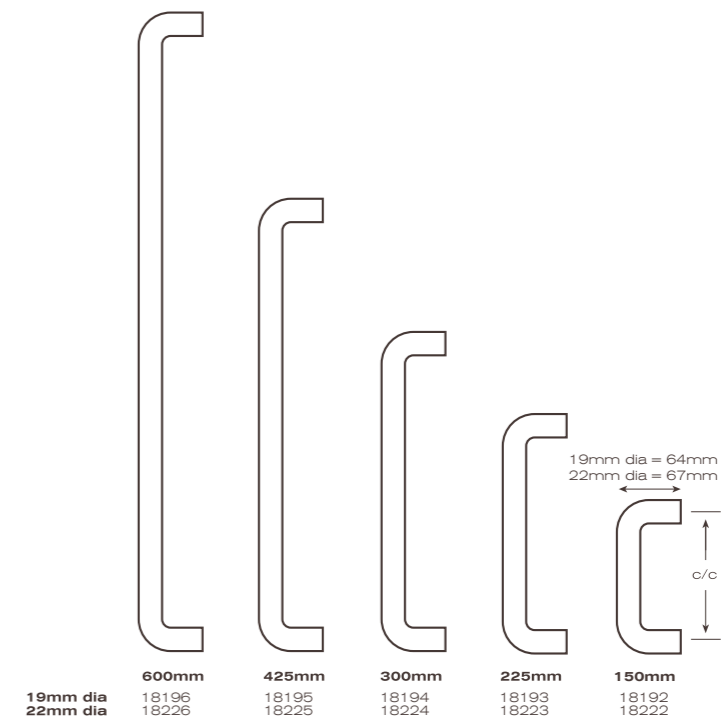


Accessories



Finishes: SSS Satin Stainless Steel

Pull Handle



- Other sizes available on request

- Manufactured from tubular grade 304 stainless steel
- Supplied with countersunk machine screws for bolt through fixing on doors up to 54mm thick (please specify if the doors are thicker)
- All pull handles with a diameter of 19mm or more and a minimum length of 300mm comply with the requirements of BS8300 & Approved Document M
- Available back to back fixed and on faced fixed roses. See page 29 for details

Finishes: SSS Satin Stainless Steel
PSS Polished Stainless Steel

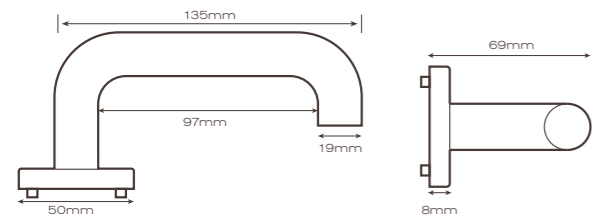
integra aluminium lever & pull handles

Safety Lever Handle

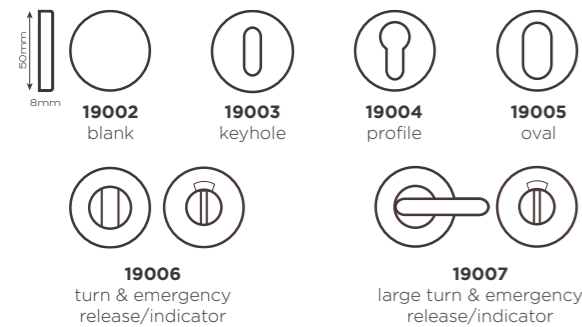


12191 - 19mm diameter lever handle

- Manufactured from solid aluminium
- Through fixed roses with lug supports
- Spindle fast fixing system prevents the lever from pulling off the door
- Concealed fixings to prevent illegal tampering
- Lever fixed to metal inner rose
- Tested to EN1906 durability grade 3
- Dimensions comply with the requirements of BS8300 and Approved Document M
- EN1906 Classification number: 37-1140A
- CE Marked

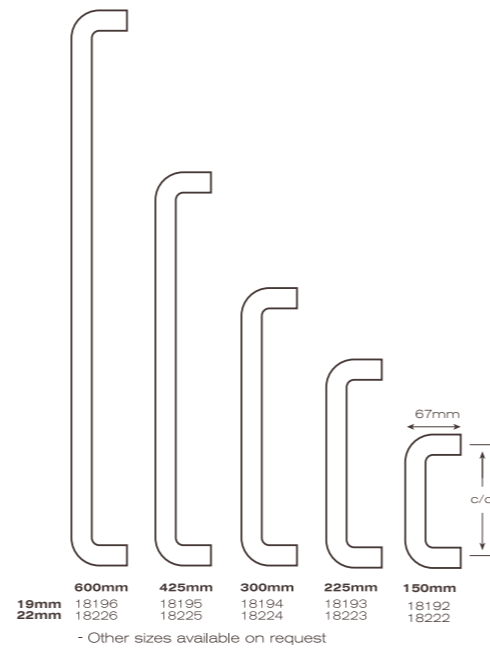


Accessories



Finishes: PSAA Polished Satin Anodised Aluminium

Pull Handle



- Manufactured from solid extruded aluminium
- Supplied with countersunk machine screws for bolt through fixing on doors up to 54mm thick (please specify if the doors are thicker)
- All pull handles with a diameter of 19mm or more and a minimum length of 300mm comply with the requirements of BS8300 & Approved Document M
- Available bolt through fixed, back to back fixed and on faced fixed roses. See page 29 for details



integra select

Integra Select is a collection of high quality lever and pull handles manufactured from Grade 316 stainless steel and hand finished to a very high standard.

The range includes classic designs such as the safety, straight and mitred lever handles together with some new contemporary designs, many of which are available with matching pull handles.

Pull handles up to 2000mm long are also included for corridor and circulation doors, therefore allowing a design to be continued through an entire building on all of the doors.

The lever handles have a bronze bearing system which eliminates wear and some of the models are available with a ball bearing rose which ensures a smooth operation.

The lever handle roses are very slim and only 4mm thick and have concealed covers which have very precise square corners.

The roses are fixed using through fixings which are supplied to suit doors up to 54mm thick with longer ones available if required and the lever handles also incorporate a spindle fixing system.

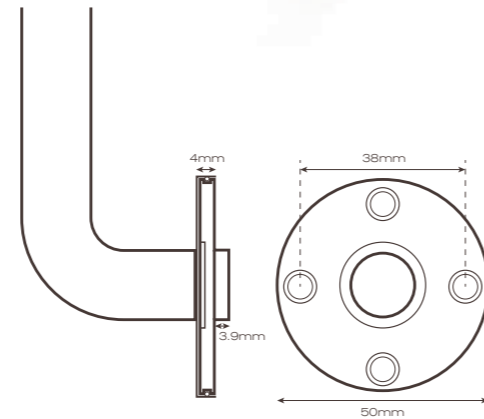
These two elements makes the Integra Select lever handles very durable and prevents them from working loose on the door.



Bronze Bearing System

This system incorporates an oil impregnated phosphor bronze washer that the lever handle is mounted onto, which self-lubricates, ensuring minimal wear. These are nickel plated to match the stainless steel lever handles.

With this system, the lever handle is fixed to the metal inner rose and also included are through fixings and our spindle fast fixing system as detailed on page 21.

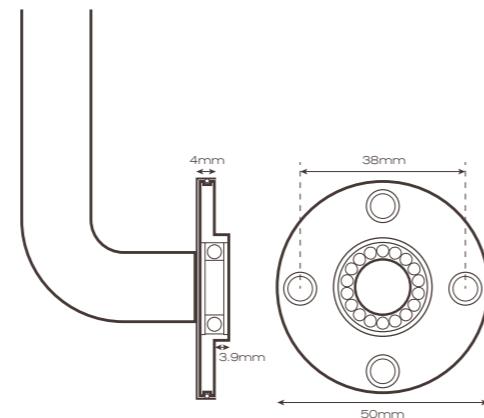


Ball Bearing Rose System

This system incorporates continuous steel reinforced bearings which are secured within the housing which only projects 3.9mm into the door ensuring that they are easy to install.

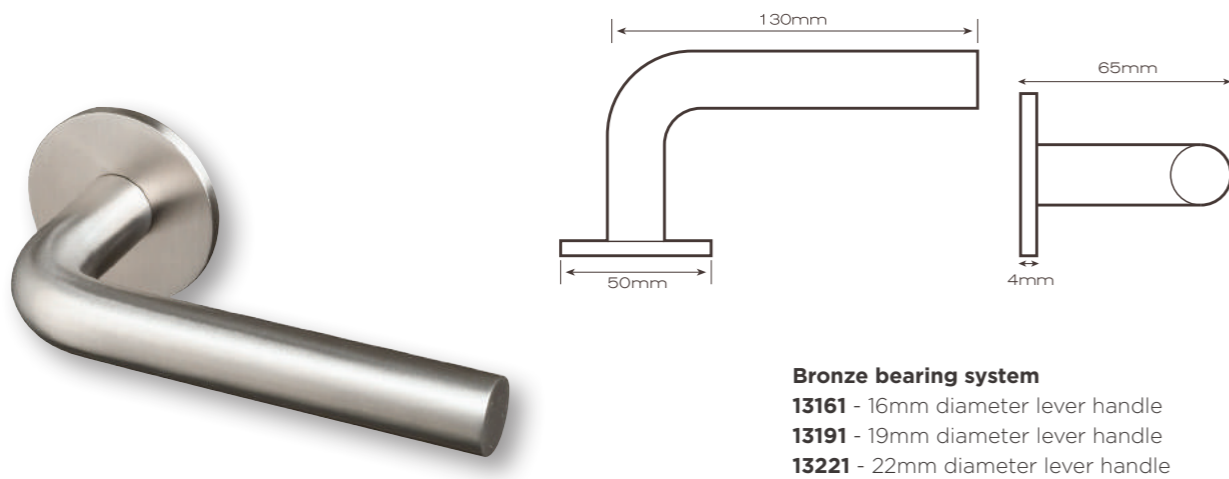
The ball bearing rose requires no maintenance and the smooth and easy operation of the lever handle provides a feeling of quality.

The ball bearing housing only projects into the door 3.9mm, ensuring that they are easy to install. The lever handle is fixed to the metal inner rose and also included are through fixings and our spindle fast fixing system as detailed on page 21.



integra select stainless steel lever handles

Straight Lever Handle



Bronze bearing system

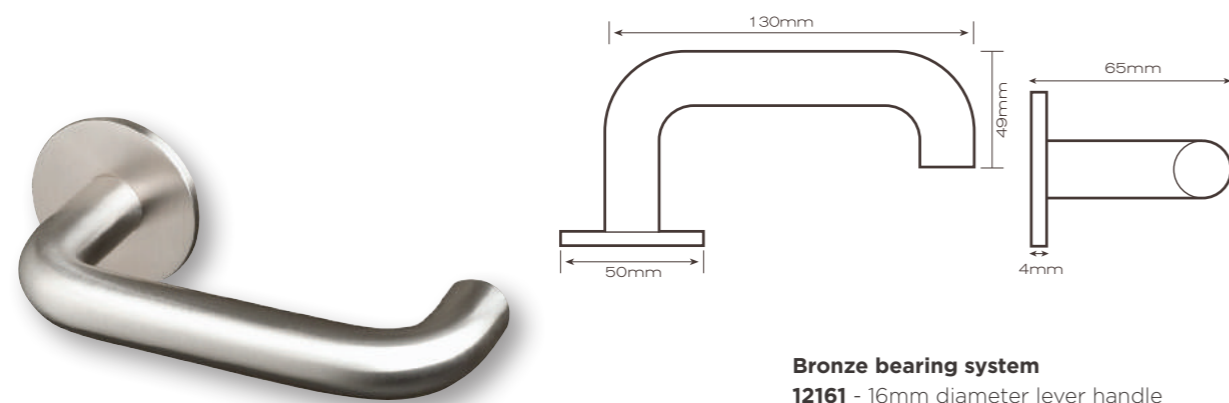
- 13161** - 16mm diameter lever handle
- 13191** - 19mm diameter lever handle
- 13221** - 22mm diameter lever handle

Ball bearing system

- 13163** - 16mm diameter lever handle
- 13193** - 19mm diameter lever handle

Lever handles are supplied with through fixings and our spindle fast fixing system, refer to p29 for details

Safety Lever Handle



Bronze bearing system

- 12161** - 16mm diameter lever handle
- 12191** - 19mm diameter lever handle
- 12221** - 22mm diameter lever handle

Ball bearing system

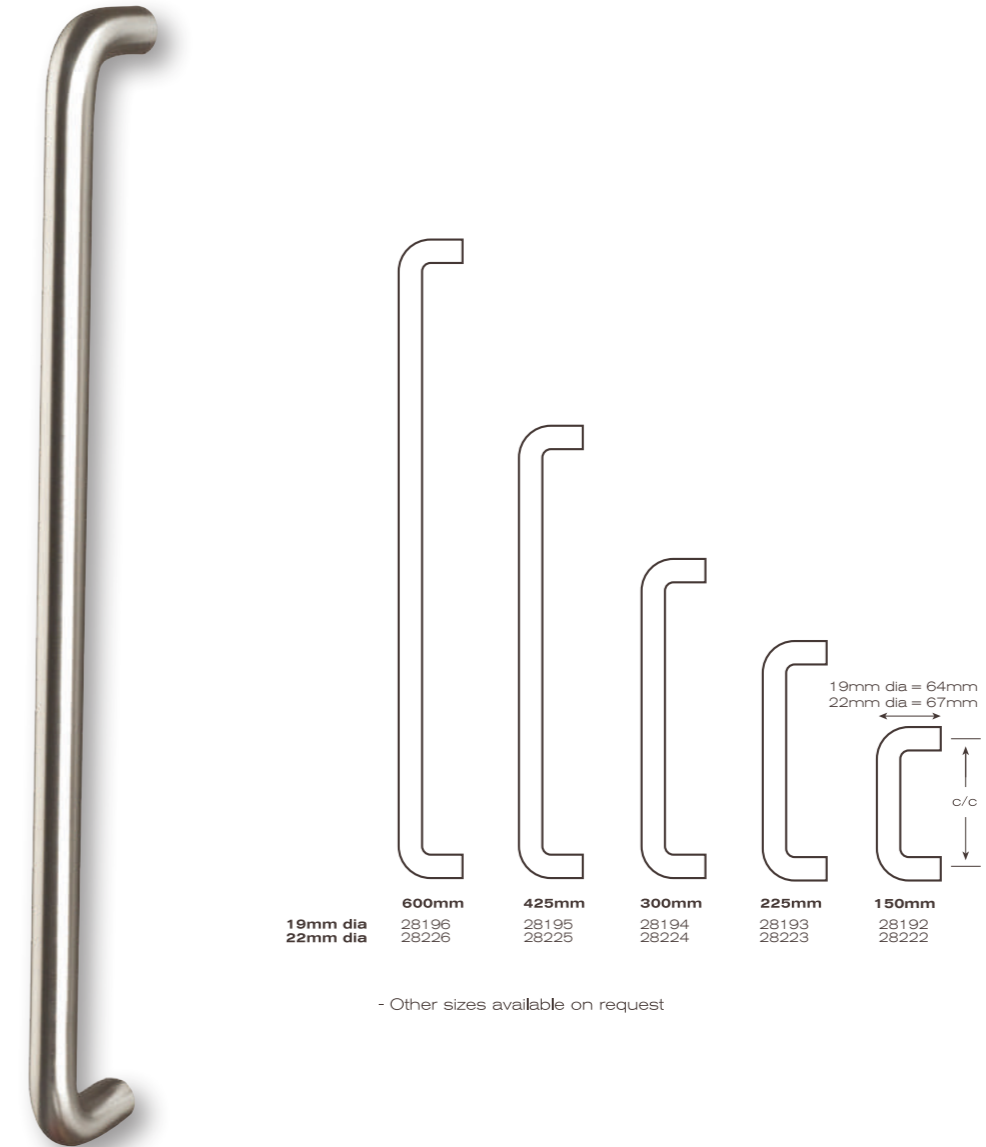
- 12163** - 16mm diameter lever handle
- 12193** - 19mm diameter lever handle

Lever handles are supplied with through fixings and our spindle fast fixing system, refer to p29 for details

Finishes: **SSS** Satin Stainless Steel
PSS Polished Stainless Steel

integra select stainless steel pull handles

Pull Handle



19mm dia	600mm	425mm	300mm	225mm	150mm
22mm dia	28196	28195	28194	28193	28192
	28226	28225	28224	28223	28222

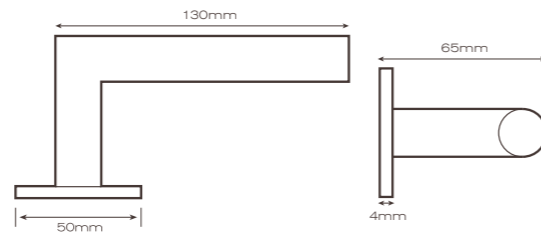
- Other sizes available on request

- Manufactured from solid extruded stainless steel
- Supplied with countersunk machine screws for bolt through fixing on doors up to 54mm thick (please specify if the doors are thicker)
- All pull handles with a diameter of 19mm or more and a minimum length of 300mm comply with the requirements of BS8300 & Approved Document M
- Available bolt through fixed, back to back fixed and on faced fixed roses. See page 29 for details

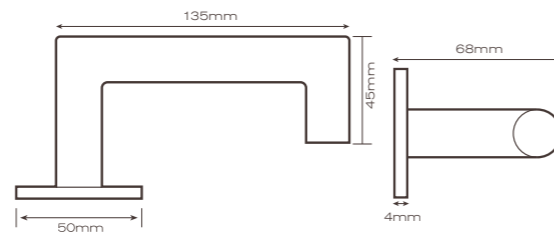
Finishes: **SSS** Satin Stainless Steel
PSS Polished Stainless Steel

integra select stainless steel lever & pull handles

24 Series Lever Handle & Pull Handle



Bronze bearing system
24191 - 19mm diameter lever handle



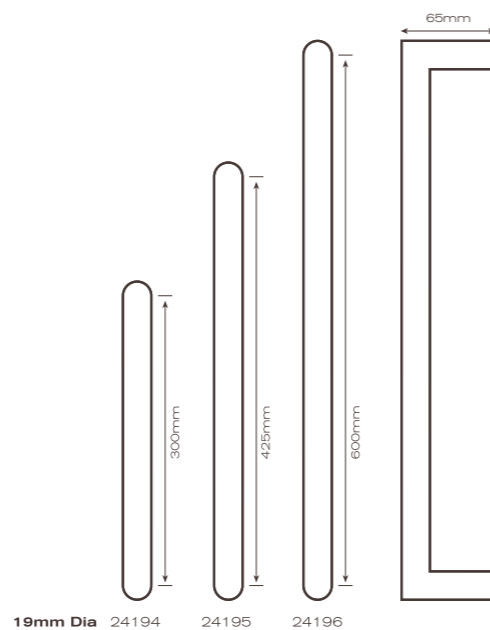
Ball bearing system
24193 - 19mm diameter lever handle



Bronze bearing system
24191R - 19mm diameter lever handle

Ball bearing system
24193R - 19mm diameter lever handle

Lever handles are supplied with through fixings and our spindle fast fixing system, refer to p29 for details.



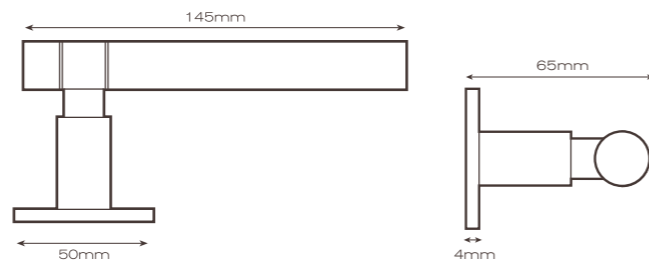
19mm Dia 24194 24195 24196

Available bolt through fixed, back to back fixed and on faced fixed roses. See page 29 for details.

Finishes: SSS Satin Stainless Steel
PSS Polished Stainless Steel

integra select stainless steel lever & pull handles

32 Series Lever Handle & Pull Handle

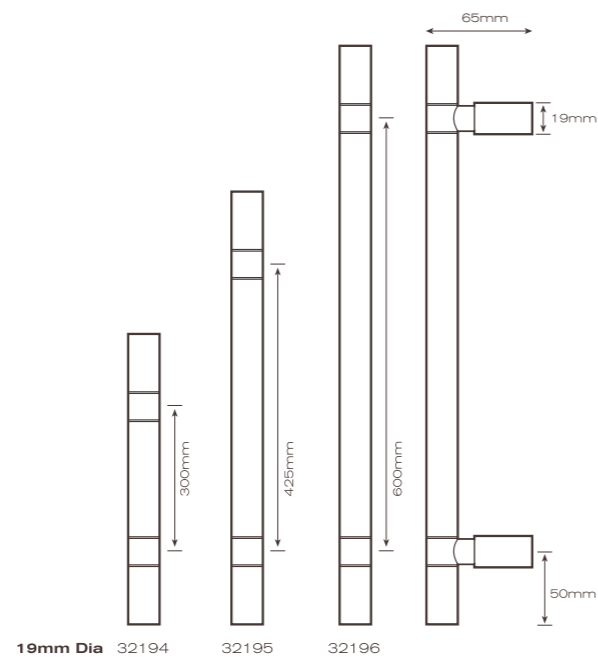
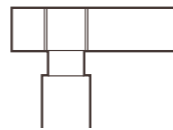


Bronze bearing system

32191 - 19mm diameter lever handle

Lever handles and pull handles are available with shaded stems. Suffix the code with 'S'.

Lever handles are supplied with through fixings and our spindle fast fixing system, refer to p29 for details.

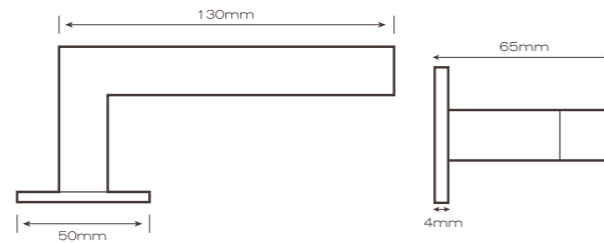


Available bolt through fixed, back to back fixed and on faced fixed roses. See page 29 for details.

- Finishes:** **SSS** Satin Stainless Steel
PSS Polished Stainless Steel
TSSS Satin Stainless Steel with Shaded Stem
TPSS Polished Stainless Steel with Shaded Stem

integra select stainless steel lever & pull handles

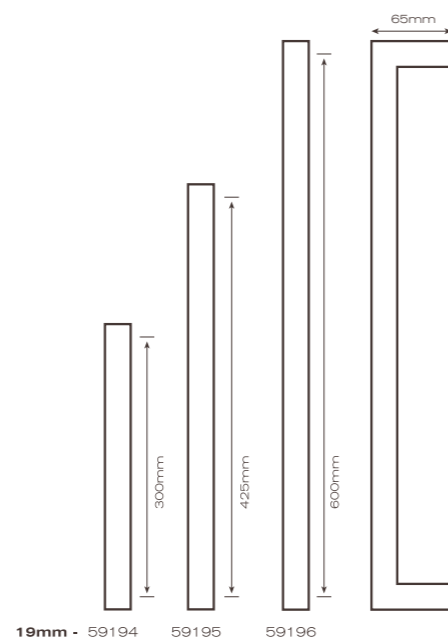
59 Series Lever Handle & Pull Handle



Bronze bearing system

59191 - 19mm square lever handle

Lever handles are supplied with through fixings and our spindle fast fixing system, refer to p29 for details.

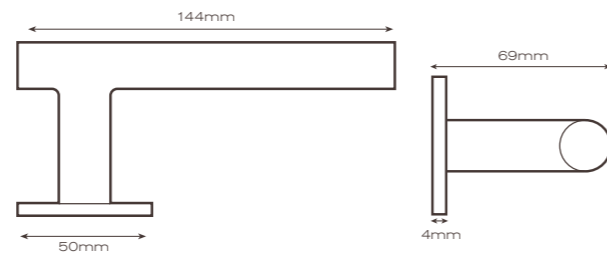


Available bolt through fixed, back to back fixed and on faced fixed roses. See page 29 for details.

Finishes: **SSS** Satin Stainless Steel
PSS Polished Stainless Steel

integra select stainless steel lever & pull handles

60 Series Lever Handle & Pull Handle



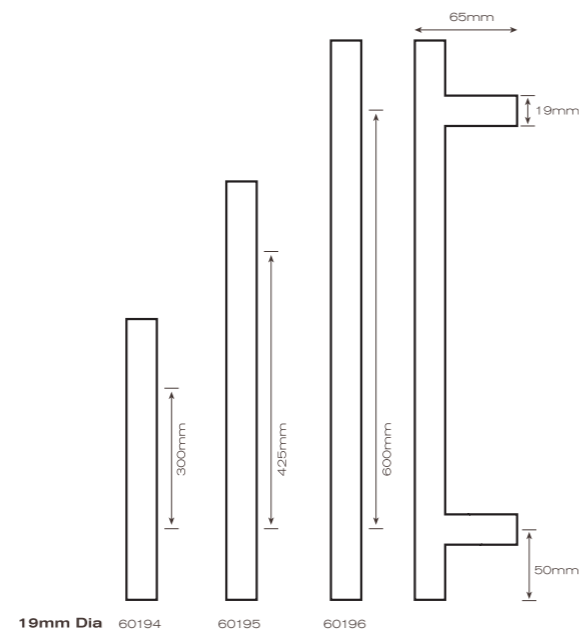
Bronze bearing system

60191 - 19mm diameter lever handle

Ball bearing system

60193 - 19mm diameter lever handle

Lever handles are supplied with through fixings and our spindle fast fixing system, refer to p29 for details.



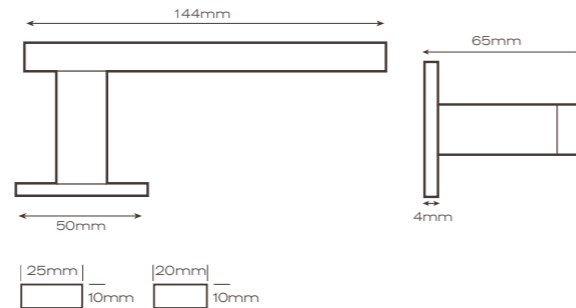
Matching longer pull handles can be found on page 30.

Available bolt through fixed, back to back fixed and on faced fixed roses. See page 29 for details.

Finishes: **SSS** Satin Stainless Steel
PSS Polished Stainless Steel

integra select stainless steel lever & pull handles

61 Series Lever Handle & Pull Handle

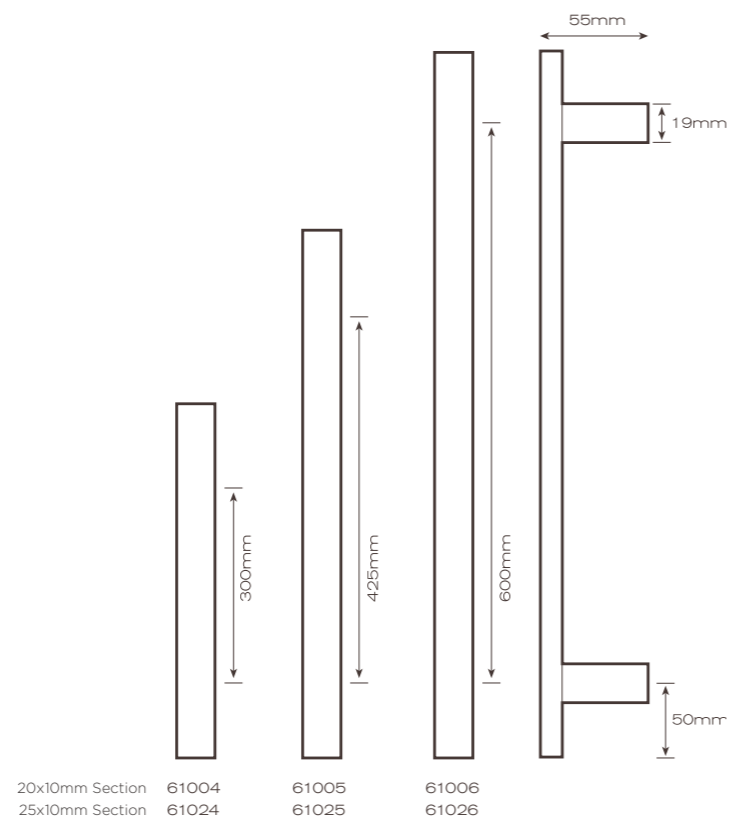


Bronze washer system

61001 - 20x10mm lever handle

61021 - 25x10mm lever handle

Lever handles are supplied with through fixings and our spindle fast fixing system, refer to p29 for details.



Matching longer pull handles can be found on page 31.

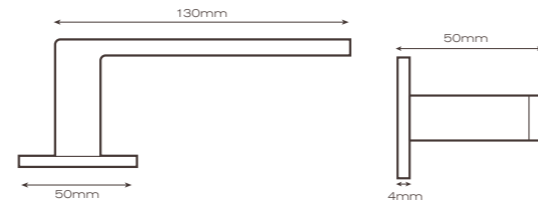
Available bolt through fixed, back to back fixed and on faced fixed roses. See page 29 for details.

Finishes: **SSS** Satin Stainless Steel
PSS Polished Stainless Steel



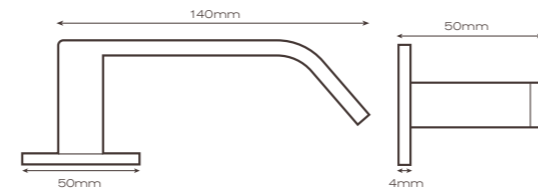
integra select stainless steel lever & pull handles

62 Series Lever Handle & Pull Handle



Bronze bearing system

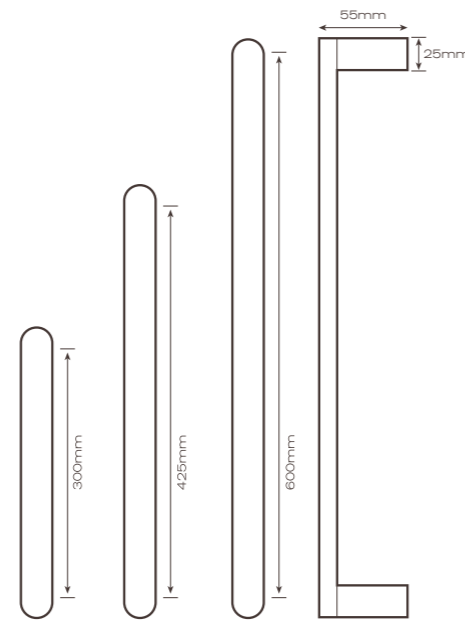
- 62001 - flat section lever handle
- 62001D - radius section lever handle



Bronze bearing system

- 62001R - flat section lever handle

Lever handles are supplied with through fixings and our spindle fast fixing system, refer to p29 for details.



- | | | | |
|----------------|--------|--------|--------|
| Flat Section | 62004 | 62005 | 62006 |
| Radius Section | 62004D | 62005D | 62006D |



Finishes: SSS Satin Stainless Steel
PSS Polished Stainless Steel

Matching longer pull handles can be found on page 31.

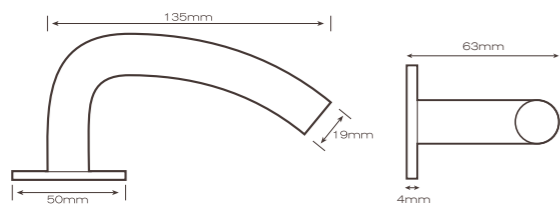
Available bolt through fixed, back to back fixed and on faced fixed roses. See page 29 for details.



integra select stainless steel lever handles

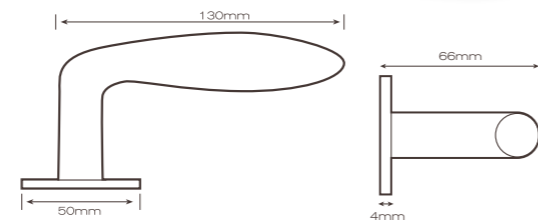
Curved Lever Handle

73001 - lever handle with bronze bearing system



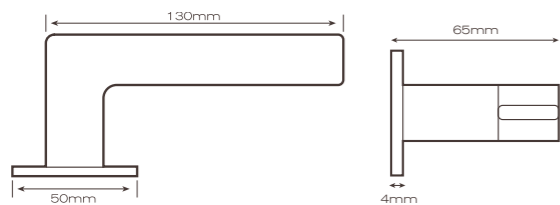
Straight Lever Handle

73003 - lever handle with bronze bearing system



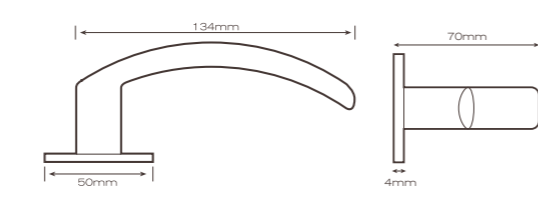
Straight Lever Handle

73002 - lever handle with bronze bearing system



Curved Lever Handle

73004 - lever handle with bronze bearing system



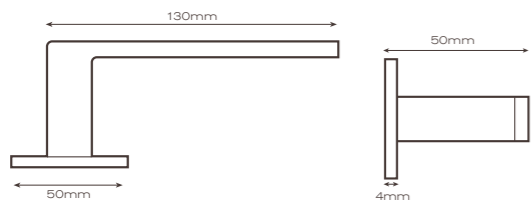
Finishes: SSS Satin Stainless Steel
PSS Polished Stainless Steel



integra select stainless steel lever & pull handles

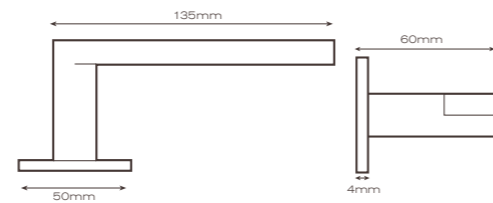
Straight Lever Handle

73005 - lever handle with bronze bearing system



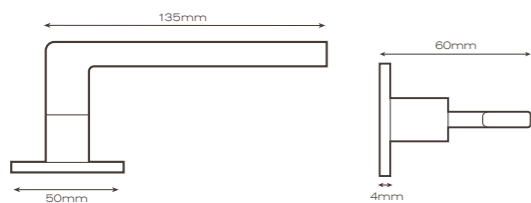
Straight Lever Handle

73007 - lever handle with bronze bearing system



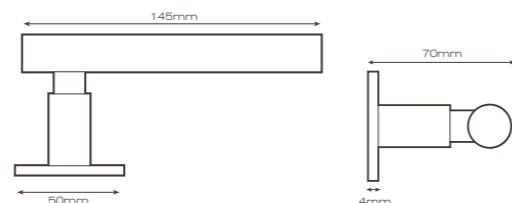
Straight Lever Handle

73006 - lever handle with bronze bearing system



Straight Lever Handle
















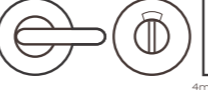
73008 - lever handle with bronze bearing system



Finishes: **SSS** Satin Stainless Steel
PSS Polished Stainless Steel

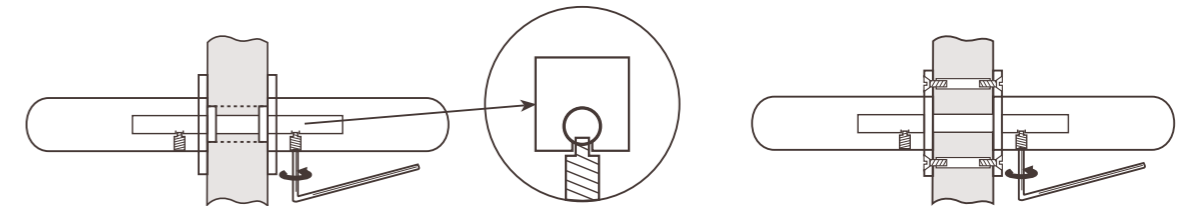


Escutcheons, Turns & Releases

	 19002 blank		 19006 turn & emergency release/indicator
	 19003 keyhole		 19007 large turn & emergency release/indicator
	 19004 profile		 19006T turn & emergency release/indicator
	 19005 oval		 19007T large turn & emergency release/indicator

Finishes: **SSS** Satin Stainless Steel
PSS Polished Stainless Steel

Lever Handles

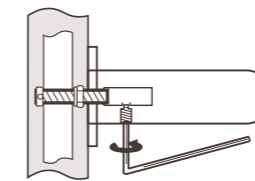


Spindle Fast Fixing

All lever handles are supplied with an innovative spindle fixing system. Spindle fast fixing has been independently tested to the most demanding standards and provides unbeatable durability. Special dog pointed grub screws are screwed into the tapped holes in the side of the lever handles. The dog point punches a hole in the solid spindle which has a small bore hole drilled through its length.

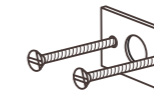
Through Fixing

All lever handles are supplied with through fixing bolts that pass through the locks.



11110 - 1/2 spindle

This spindle is designed for 1/2 sets of levers or knobs to operate.



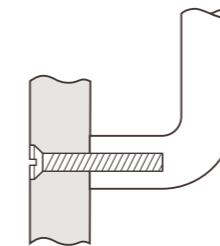
11112 - fixing plate

This plate is used for through fixing half sets of lever handles

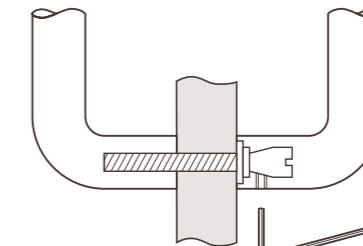


11111 - split follower spindle

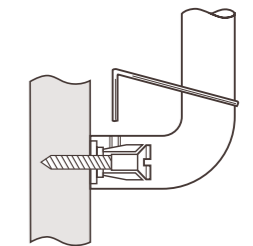
Pull Handles



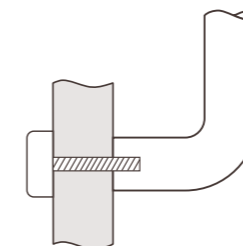
Bolt through fixing
(standard)



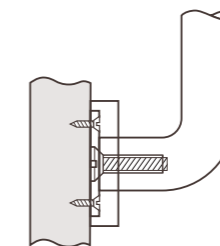
Back to back fixing
Suffix 'BBW' for timber doors
'BBG' for glass doors



Secret face fixing
Suffix 'SF'



1819CC - cover cap

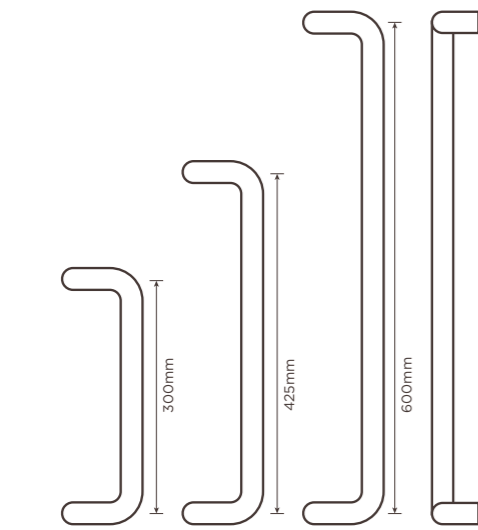


1819R - rose for concealed face fixing
50mm dia x 6mm

Straight Cranked



- All pull handles are supplied with counter sunk machine bolts for door thickness up to 54mm
- Alternative fixing systems are available (see page 29)



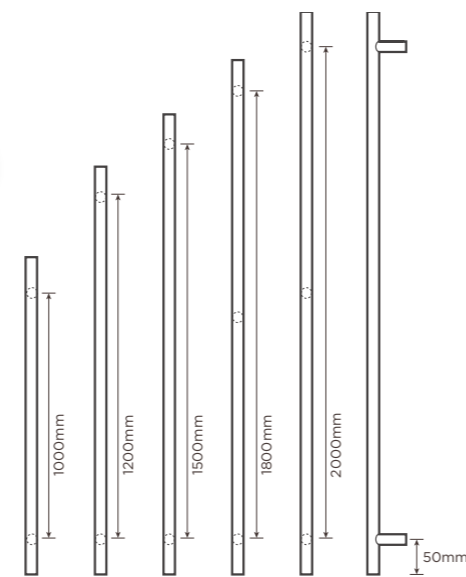
19mm	801904	801905	801906
25mm	802504	802505	802506
32mm	803204	803205	803206

Other sizes available on request

Straight On Pillars



- All pull handles are supplied with counter sunk machine bolts for door thickness up to 54mm
- Alternative fixing systems are available (see page 29)



19mm	811908	811909	811910	811911	811912
25mm	812508	812509	812510	812511	812512
32mm	813208	813209	813210	813211	813212

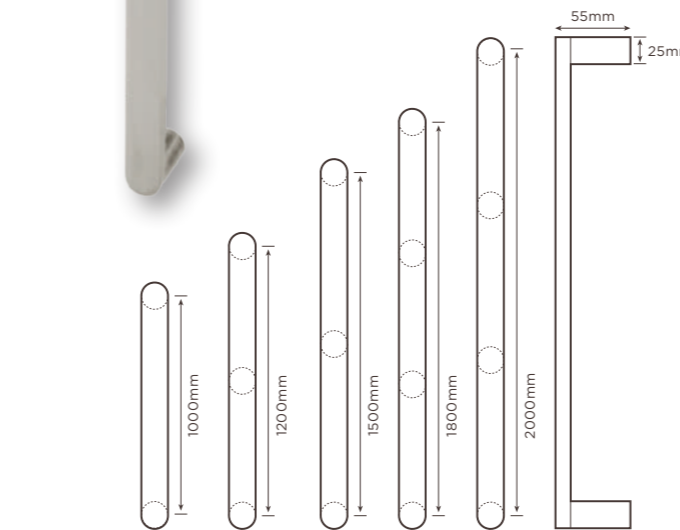
Other sizes available on request

Finishes: **SSS** Satin Stainless Steel
PSS Polished Stainless Steel

Straight On Pillars



- All pull handles are supplied with counter sunk machine bolts for door thickness up to 54mm
- Alternative fixing systems are available (see page 29)



Flat Section	62008	62009	62010	62011	62012
Radius Section	62008D	62009D	62010D	62011D	62012D

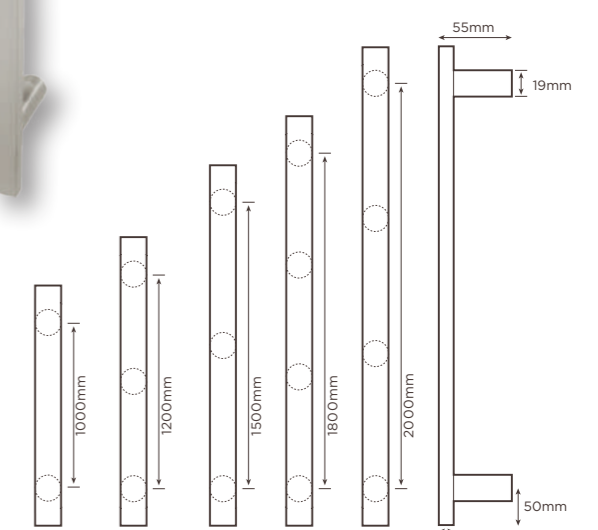


Finishes: **SSS** Satin Stainless Steel
PSS Polished Stainless Steel

Straight On Pillars



- All pull handles are supplied with counter sunk machine bolts for door thickness up to 54mm
- Alternative fixing systems are available (see page 29)

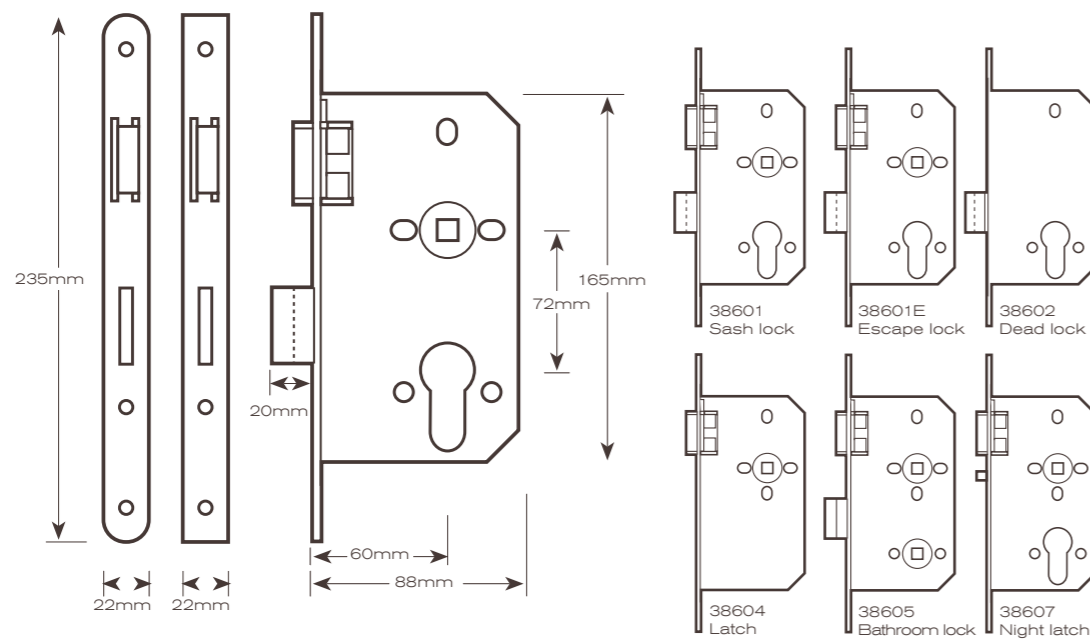


20x10mm Section	61008	61009	61010	61011	61012
25x10mm Section	61028	61029	61020	61021	61022

38 Series Lock Cases



- 38601 SSS** - europrofile sashlock case
- 38601E SSS** - europrofile escape sashlock case
- 38602 SSS** - europrofile deadlock case
- 38604 SSS** - latch
- 38605 SSS** - bathroom lock
- 38607 SSS** - mortice night latch
- Self adjusting follower is engineered to tightly grip the lever handle spindle
- Heavy duty springing with short travel follower suitable for use with un sprung door furniture
- Available with square or radiused forend & strike plate
- Double throw 20mm deadbolt
- 72mm centres to comply with BS8300
- Boxed striking plate
- Suitable for through fixed lever handles and escutcheons
- Reversible latch bolt
- The mortice night latch has a anti-thrust device to prevent 'carding' of the latch bolt
- Tested to EN12209 category of use grade 3
- CE marked
- Certifire approved for use on FD60 fire doors

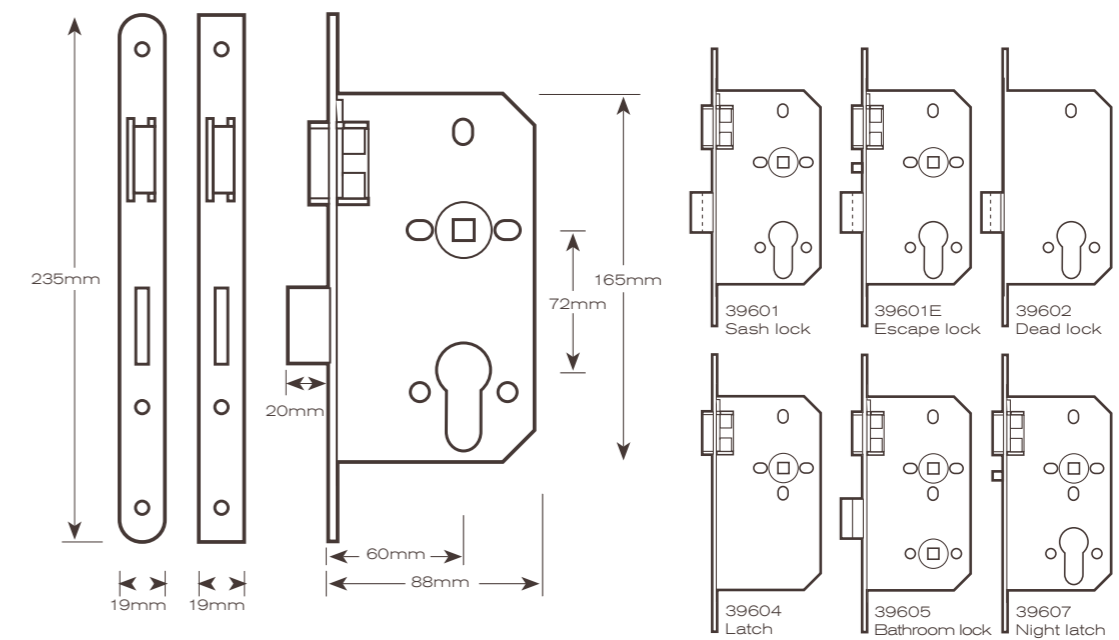


Finishes: SSS Satin Stainless Steel

39 Series Heavy Duty Lock Cases



- 39601 SSS** - europrofile sashlock case
- 39601E SSS** - europrofile escape sashlock case
- 39602 SSS** - europrofile deadlock case
- 39604 SSS** - latch
- 39605 SSS** - bathroom lock
- 39607 SSS** - mortice night latch
- Self adjusting follower is engineered to tightly grip the lever handle spindle
- Heavy duty springing with short travel follower suitable for use with un sprung door furniture
- Available with square or radiused forend & strike plate
- Single throw 20mm deadbolt
- 72mm centres to comply with BS8300
- Boxed striking plate
- Suitable for through fixed lever handles and escutcheons
- Reversible latch bolt
- The mortice night latch has a anti-thrust device to prevent 'carding' of the latch bolt
- Tested to EN12209 category of use grade 3
- Tested to 800,000 cycles
- CE marked
- Certifire approved for use on FD60 timber doors and FD120 steel doors



Finishes: SSS Satin Stainless Steel

High Security Cylinders

These 6 pin cylinders feature a sophisticated patented key profile with a special groove that prevents duplicate keys from being illegally manufactured.

The keys are also patent protected until 2032 and the multi profile system is capable of very complex master key systems.

A full range of cylinders including single, double and cylinders & turns are available suitable for internal and external doors, together with padlocks for external gates.

The system can be supplied with 'construction keys' which can be used to lock and unlock the doors whilst the building phase is taking place. Once the project is completed the final user key is inserted into the cylinder and rotated and this operation 'switches on' this key and 'switches off' the construction key.

- Tested to EN1303 Grade 6 for key security which is the highest grade
- Patented and registered system preventing illegal key duplication
- Multi profile key section allows for very large and complex grand master key systems
- Anti-pick mushrooms and steel anti-drill inserts
- Kitemark approved TS007 1 star cylinder that protects against drilling, picking and bumping
- Available in euro and oval profiles
- Construction keying option
- Nickel silver keys
- EN Classification Number 1.6.0.1.0.C.6.2

Cylinders & Turns



371 - euro profile cylinder & turn

371CT - euro profile classroom function cylinder & turn

These cylinders operate in a similar way to a conventional cylinder & turn however the turn can only unlock the door and not lock it.

371CUT - euro profile anti barricade cylinder & turn

These cylinders operate in a similar way to a conventional cylinder & turn however if the turn is held the key will still operate the lock.

Double Cylinders



372 - euro profile double cylinder

Finishes: **SNP** Satin Nickel Plated
PCP Polished Chrome Pated

Single Cylinders



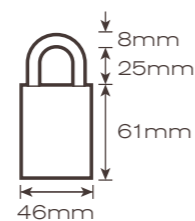
373 - euro profile single cylinder

Miscellaneous Cylinders



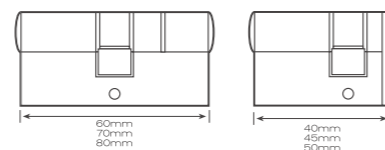
37R - round rim cylinder **37** - screw in cylinder

Padlock



37P - padlock

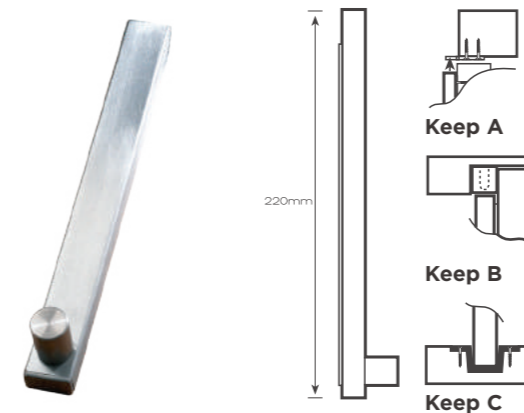
Sizes



(Non-standard & offset cylinder lengths are also available in increments of 5mm)

Surface & Flush Bolts

Abuse Resistant Door Bolt



60530 - 220mm bolt

60530A - top keep

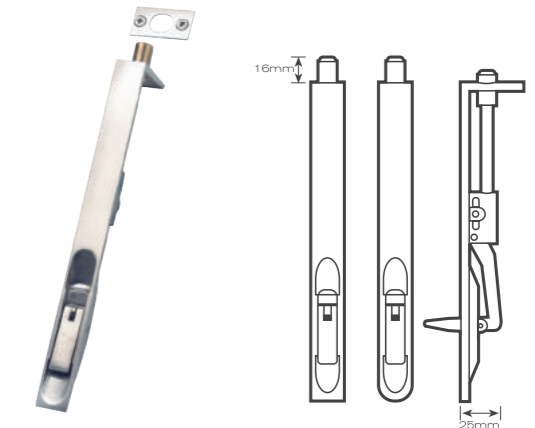
60530B - top keep

60530C - bottom keep

60530F - fixing plate for doors with recessed drop down seals

Finishes: **SSS** Satin Stainless Steel

Lever Action Flush Bolts



60541 - 152x19mm

60542 - 200x19mm

60543 - 300x19mm

60544 - 457x19mm

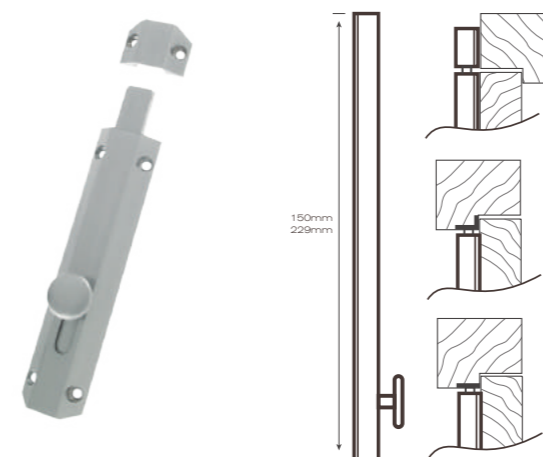
60545 - 600x19mm

60546 - 914x19mm

Available with square or radiused ends

Finishes: **SSS** Satin Stainless Steel
PSS Polished Stainless Steel
SAA Satin Anodised Aluminium

Barrel Bolt



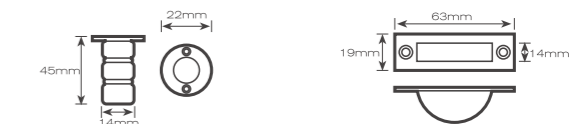
60513HD - 132mm barrel bolt

60514HD - 203mm barrel bolt

Supplied with 3 keep options as illustrated

Finishes: **SCP** Satin Chrome Plated
PCP Polished Chrome Pated

Miscellaneous

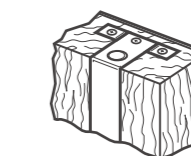


60953 - dust excluding socket

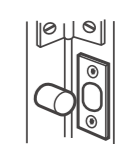
Finishes:
SCP Satin Chrome Plated

60952 - easy clean socket

Finishes:
SCP Satin Chrome Plated
SAA Satin Anodised Aluminium

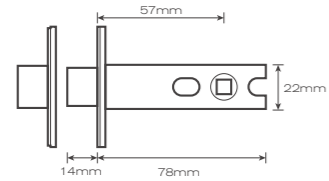


60951 - door head strap for face fixing flush bolts



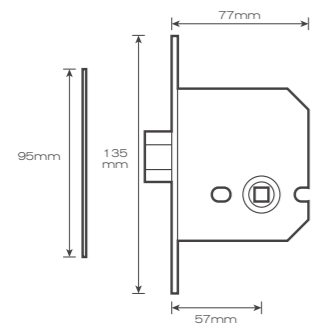
60956 - hinge bolt
Finishes: Zinc, White

integra bolts & budget locks



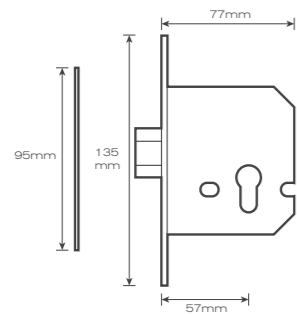
31005 - deadbolt with 5mm follower
31008 - deadbolt with 8mm follower

Available with square and radius forend
Finishes: SSS Satin Stainless Steel



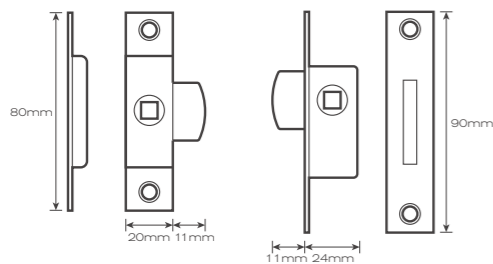
8025 - sliding door deadbolt with 5mm follower
8028 - sliding door deadbolt with 8mm follower

Available with square and radius forend
Finishes: SSS Satin Stainless Steel

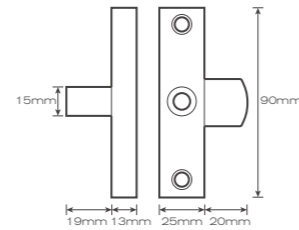


8035 - sliding door euro dead lock

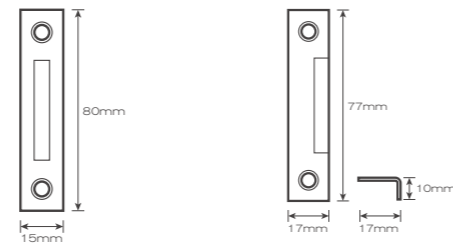
Available with square and radius forend
Finishes: SSS Satin Stainless Steel



30014 - rim budget lock **30014M** - mortice budget lock

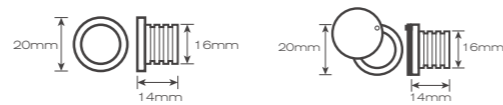


30010CK - key retention rim budget lock



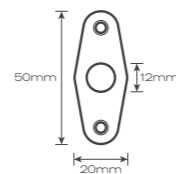
30010SP - keep

30010ASP - angled keep

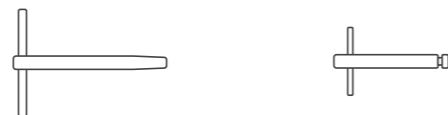


30015 - escutcheon

30015C - covered escutcheon

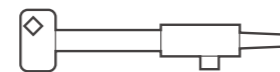


30011 - escutcheon



30010T - budget lock T key

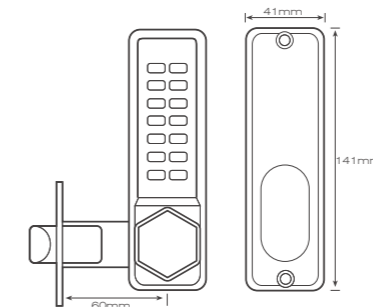
30010K T key for 30010CK budget lock



30020 Multi-Key to operate euro profile locks

integra digital locks

Light Duty Digital Lock



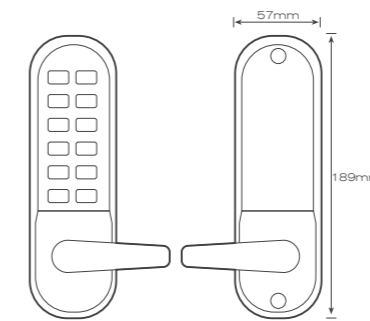
2250 - digital lock

2255 - digital lock with holdback

These digital locks are ideal for use in low traffic areas where keyless entry is required. The locks are available as a standard unit or with a mechanical holdback and are easy to install.

- Single access code of 4 to 7 digits
- Easy code change once the lock is removed from the door
- Suitable for doors up to 65mm thick
- Reversible latch for LH or RH doors

Medium Duty Digital Lock

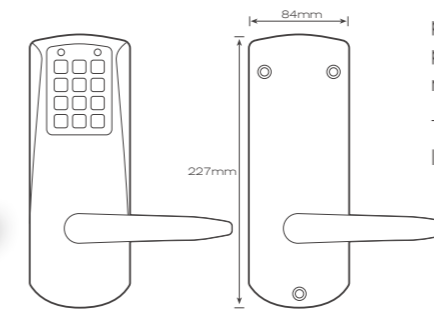


2350 - digital lock

These medium duty digital locks are suitable for medium traffic areas and incorporate a lever handle making them easier to operate and are easy to install.

- Single access code
- Easy code change once the lock is removed from the door
- Resistant to code manipulation
- Suitable for doors up to 65mm thick
- Reversible latch for LH or RH doors

Heavy Duty Electronic Digital Lock



2450 - digital lock

2450F - intumescent kit for FD60 timber door

This new generation electronic digital lock features patented technology that enables it to generate its own power every time the lever handle is operated, which means that the batteries never need to be replaced.

The locks are heavy duty and are designed for use in locations where they will be subject to frequent use.

- Up to 100 different access codes
- Easy to program via the keypad without removing the lock from the door
- Key override available which can be integrated into a master key system
- Passage function can be set to allow code-free entry
- Lockout anti-tamper function
- Suitable for doors up to 65mm thick
- Reversible latch for LH or RH doors
- Suitable for internal and external use
- Suitable for FD60 fire rated doors when fitted with the intumescent kit

Stainless Steel Panic Latches & Bolts



These heavy duty surface mounted panic latches and bolts are manufactured from stainless steel and have a sleek and elegant design.

The panic latch has a pullman type latch as does the panic bolt at the top with bolt at the bottom and these help to ensure that when the door closes it re-locks.

Various options are available including electronic latch retraction and monitoring for integration with access control and building management systems.

- Life cycle tested to 200,000 operations
- Suitable for doors up to 1220mm wide & 2440mm high. Suffix 'EH' for doors between 2440-3050mm high
- The panic bolts have a pullman latch at the top and a bolt at the bottom
- Hex key dogging as standard
- EN1125 Classification Number 3.7.6.0.1.3.2.2.B.A
- CE marked

Electrical Options

Latchbolt Retraction

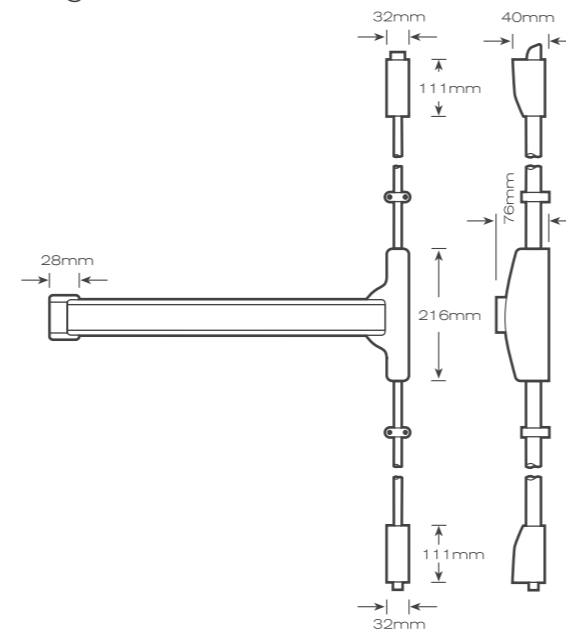
- A solenoid concealed within the panic latch or bolt provides instant retraction of the latchbolt or top & bottom latch/bolt to provide access from the secure side of the door. Suitable for integration with access control systems
- Suffix 'LR' if this option is required (size A only)

Monitoring

- Suffix 'TM' if a local or remote notification is required when the touchbar is depressed

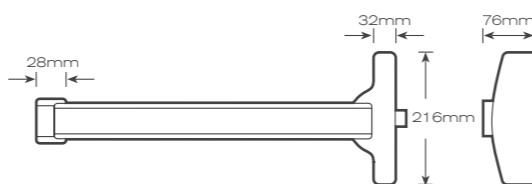
Finishes: **SSS** Satin Stainless Steel
PSS Polished Stainless Steel

Single Panic Bolts



- 51102A** - panic bolt for doors 838-1220mm wide
- 51102C** - panic bolt for doors 686-915mm wide
- 51102D** - panic bolt for doors 610-915mm wide

Panic Latches



- 51101A** - panic latch for doors 838-1220mm wide
- 51101C** - panic latch for doors 686-915mm wide
- 51101D** - panic latch for doors 610-915mm wide

Double Panic Bolts

For a double panic bolt use a 320 strike plate combined with a single panic bolt and a panic latch to suit the door leaf width.

Note: For double non-rebated doors use two single panic bolts

Stainless Steel Concealed Panic Bolts



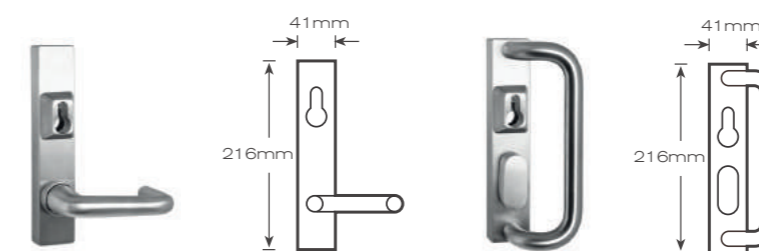
These heavy duty concealed panic bolts are manufactured from stainless steel and have a sleek and elegant design.

The vertical rods and the top pullman latch and bottom bolt are concealed within the door which enhances the appearance of the door and also reduces the risk of vandalism or abuse.

The panic bolt has a pullman latch at the top and a bolt at the bottom and these help to ensure that when the door closes it re-locks.

- Life cycle tested to 200,000 operations
- Suitable for doors up to 1220mm wide & 2440mm high. Suffix 'EH' for doors between 2440-3050mm high
- The panic bolts have a pullman latch at the top and a bolt at the bottom
- Hex key dogging as standard
- EN1125 Classification Number 3.7.6.0.1.3.2.2.B.A
- CE marked

Outside Access Devices



- 51132** - for 51101 panic latch
- 51133** - for 51102 panic bolt

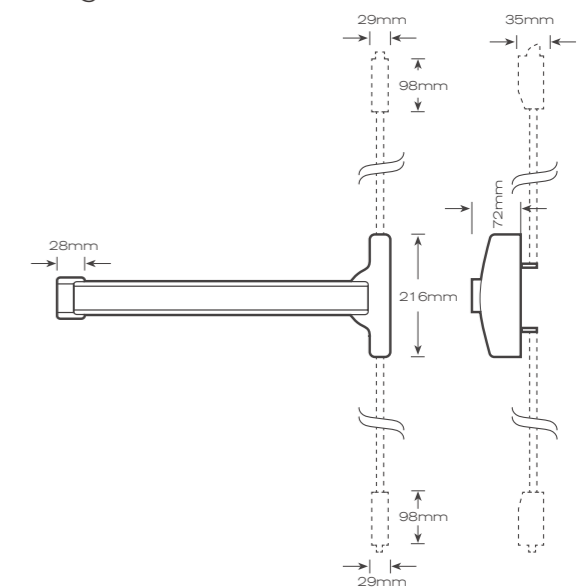
- 51136** - for 51101 panic latch
- 51137** - for 51102 panic bolt

Power Supply

- 511PSU** - power supply unit for 'LR' panic latches

Finishes: **SSS** Satin Stainless Steel
PSS Polished Stainless Steel

Single Concealed Panic Bolts



- 51102AC** - panic bolt for doors 838-1220mm wide
- 51102CC** - panic bolt for doors 686-915mm wide
- 51102DC** - panic bolt for doors 610-915mm wide

Electrical Options

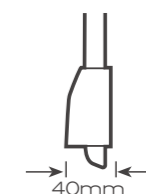
Latchbolt Retraction

- A solenoid concealed within the panic latch or bolt provides instant retraction of the latchbolt or top & bottom latch/bolt to provide access from the secure side of the door. Suitable for integration with access control systems
- Suffix 'LR' if this option is required (size A only)

Monitoring

- Suffix 'TM' if a local or remote notification is required when the touchbar is depressed

Pullman Latch



- 51140** - pullman latch

This bottom latch can be used with the 51102 panic bolt in conjunction with the 60681 threshold (page 45)

integra panic hardware

Aluminium Panic Latches & Bolts



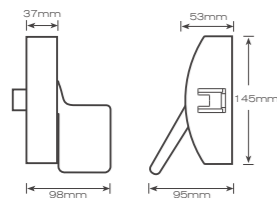
These heavy duty surface mounted panic latches have a sleek and elegant design.

The panic latch and bolt have pullman type latches and these help to ensure that when the door closes it re-locks.

The design of these bolts and latches is similar to the 44007, 44008 and 44009 door closers in silver allowing the ironmongery on the escape door to be coordinated.

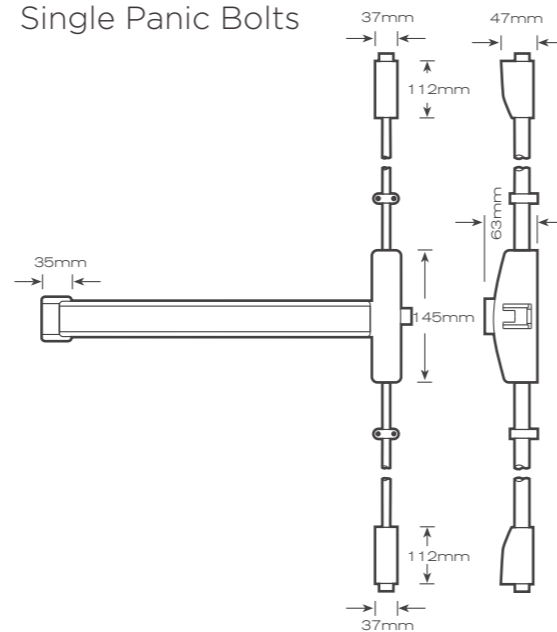
- Life cycle tested to 200,000 operations
- Suitable for doors up to 1220mm wide & 2440mm high. Suffix 'EH' for doors between 2440-3050mm high
- Hex key dogging as standard
- EN179 & EN1125 Classification Number 3.7.6.0.1.3.2.2.B.A
- CE marked

Push Pad Panic Latch



51114 - push pad panic latch

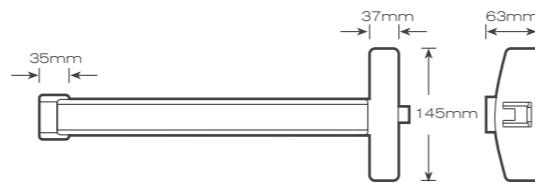
Single Panic Bolts



51111A - panic bolt for doors 400-1000mm wide

51111C - panic bolt for doors 1000-1300mm wide

Panic Latches



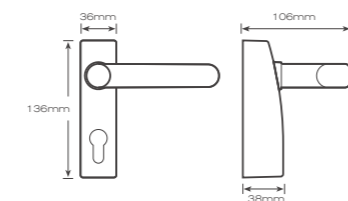
51112A - panic latch for doors 400-1000mm wide

51112C - panic latch for doors 1000-1300mm wide

Double Panic Bolts

For a double panic bolt use a 320 strike plate combined with a single panic bolt and a panic latch to suit the door leaf width.

Note: For double non-rebated doors use two single panic bolts



Outside Access Devices

51131 - for 51111 panic latch & 51112 panic bolt



Scissor Arm Door Closers

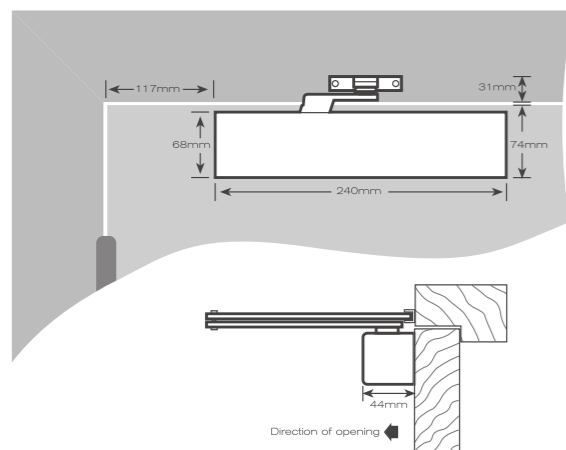


- 41009** - variable power door closers
- Variable power size EN 3-4
 - Suitable for interior doors up to 1100mm (fig 1) & 950mm (fig 6)
 - Fig 1 or fig 61 as standard. For figure 6 use the 41011 soffit bracket
 - Tested & approved to EN 1154 Classification 4.8.4/3.1.1.3

- 41002** - variable power door closers
- Adjustable power size EN 2-4
 - Suitable for interior doors up to 1100mm (fig 1) & 950mm (fig 6)
 - Fig 1 or fig 61 as standard. For figure 6 use the 41011 soffit bracket
 - Tested & approved to EN 1154 Classification 4.8.4/2.1.1.3

These heavy duty door closers have a full cover and matching arm.

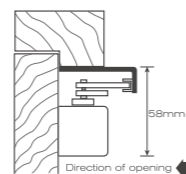
- Backcheck, variable power, adjustable power, delayed action, hold open & electromagnetic hold open options available
- Adjustable closing speed between 0-15 degrees & 15-180 degrees
- Adjustable latch action
- CE Marked & Certifire approved
- These door closers, when fitted with the correct seals and hinges, will comply on certain door widths with the requirements of BS 8300 & Approved Document M (please consult our technical department for more information)



- 41008** - adjustable power backcheck door closer
- Adjustable power size EN 2-4
 - Self adjusting backcheck (can be deactivated)
 - Suitable for interior doors up to 1100mm (fig 1) & 950mm (fig 6)
 - Fig 1 or fig 61 as standard. For figure 6 use the 41011 soffit bracket
 - Tested & approved to EN 1154 Classification 4.8.4/2.1.1.3

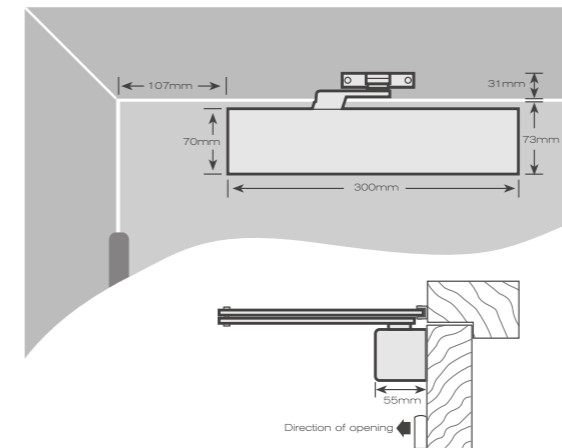
- 41007** - variable power delayed action door closer
- Variable power size EN 1-4
 - Adjustable delay period between 0 & 120 seconds
 - Self adjusting backcheck (can be deactivated)
 - Suitable for interior doors up to 1100mm (fig 1) & 950mm (fig 6)
 - Fig 1 or fig 61 as standard. For figure 6 use the 41011 soffit bracket
 - Tested & approved to EN 1154 Classification 4.8.4/1.1.1.3

- 41011** - figure 6 soffit bracket



Finishes: **SSS** Satin Stainless Steel
PSS Polished Stainless Steel
SE Silver Enamel

Heavy Duty Scissor Arm Door Closers

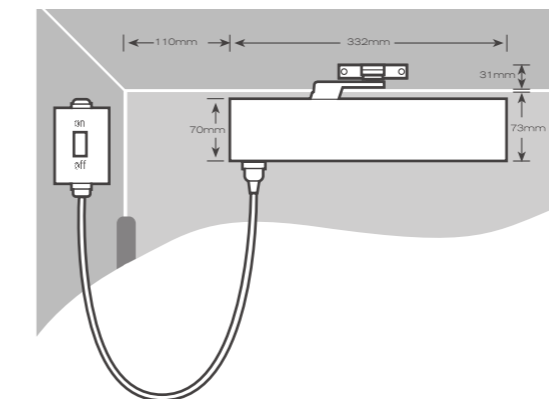


- 41005** - adjustable power backcheck delayed action door closer

- Adjustable power size EN 2-5
- Self adjusting backcheck (can be deactivated)
- Adjustable delayed action (can be deactivated)
- Suitable for interior doors up to 1400mm (fig 1) & 1250mm (fig 6)
- Fig 1 or fig 61 as standard. For figure 6 use the 41011 soffit bracket
- Tested & approved to EN 1154 Classification 4.8.4/2.1.1.3

- 41006** - adjustable power backcheck door closer
- As above but without delayed action

Electromagnetic Scissor Arm Door Closers



- 41004** - electromagnetic hold open door closer
- This door closer will hold the door open between 75 & 180 degrees and automatically close upon activation of the fire alarm system or power failure.

- Standard unit suitable for doors up to 1100mm. For doors up to 1250mm suffix '5' and for doors up to 1400mm suffix '6' (ie 410045 or 410046)
- 24V operating voltage
- Tested & approved to EN 1155 Classification 4.8.3 or 4.1.1.3

Technical Data:

Operating Voltage	24V DC + or - 15%
Power Input	1.4W
Rated for continuous duty	100%

Finishes: **SSS** Satin Stainless Steel
PSS Polished Stainless Steel
SE Silver Enamel



- 41003** - electromagnetic free swing door closer
- This door closer has all of the same features as the hold open door closer however the operation is free swing. This means that the door will function the same way as a door without a closer until the fire alarm is activated when it will self close.

- 70332** - 24V 1 amp power supply for 41004 & 41003 door closers

Guide Rail Door Closers



These door closers have a non-projecting guide rail arm.

The linear drive mechanism cam action ensures that the resistance encountered when opening the door decreases almost instantly with the opening action.

These door closers are therefore ideal for use on schemes where small children, the elderly and disabled people will require access through the doors.

- Backcheck, variable power, delayed action, hold open & electro magnetic hold open options available
- Adjustable closing speed and latch action
- CE Marked & Certifire approved
- These door closers, when fitted with the correct seals and hinges, will comply on certain door widths with the requirements of BS 8300 & Approved Document M (please consult our technical department for more information)

44009 - fixed power door closer

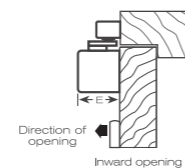
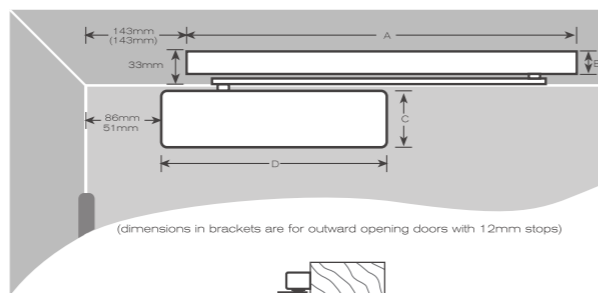
- Fixed power size EN 3
- Suitable for interior doors up to 950mm wide
- Tested & approved to EN 1154 Classification 4.8.3.1.1.3
- Only suitable for inward opening doors

44008 - adjustable power door closer

- Adjustable power size EN 2-4
- Suitable for interior doors up to 1100mm wide
- Tested & approved to EN 1154 Classification 4.8.4/2.1.1.3

44007 - adjustable power backcheck delayed action door closer

- Adjustable power size EN 2-5
- Adjustable backcheck (can be deactivated)
- Adjustable delayed action (can be deactivated)
- Suitable for interior & exterior doors up to 1250mm wide
- Tested & approved to EN 1154 Classification 4.8.5/2.1.1.3

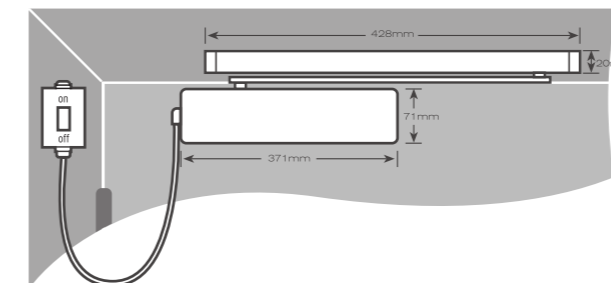
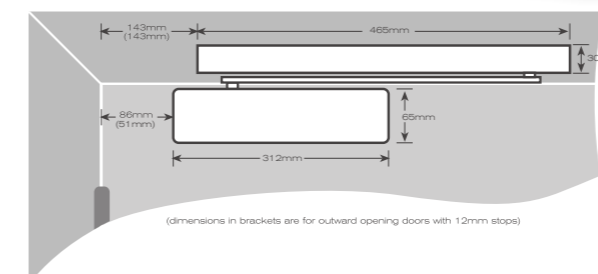


Closer sizes

Closer	Finish	A	B	C	D	E
44007/8/9	SSS, PSS	428	20	70	312	55
44009	SAA	428	20	65	265	47
44008	SAA	428	20	65	280	47
44007	SAA	428	20	60	275	53

Finishes: **SSS** Satin Stainless Steel
PSS Polished Stainless Steel
SE Silver Enamel

Electromagnetic Guide Rail Door Closers



44006 - electromagnetic hold open door closer

These door closers have all of the same features of the standard 44008 but also incorporate an electromagnetic hold open device within the guide rail that automatically releases in the event of a fire.

- Selectable hold open angle between 80 & 120 degrees
- Exact hold open can be achieved with no fall back or creep
- Power supplied to the arm so a power loop is not required
- The force required to manually pull the door off the hold open mechanism can be adjusted
- Tested & approved to EN 1155 Classification 4.8.5/2 or 7/5.1.1.3

44003 - electromagnetic free swing door closer

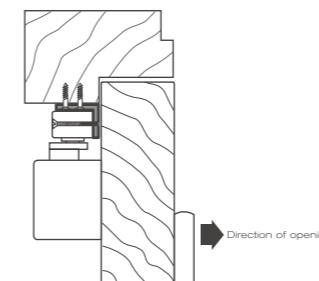
This door closer has all of the same features as the 44006 however the operation is free swing.

This means that the door will function the same way as a door without a closer until the fire alarm is activated when it will self close.

Fixed power size 4 only for doors up to 1100mm wide.

Technical Data:

Operating Voltage	24V DC + or - 15%
Power Input	1.4W
Rated for continuous duty	100%

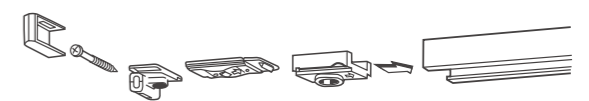


44010 - angle bracket

This bracket is used for soffit mounting the door closer guide rails for outward opening doors.

70332 - 24V 1 amp power supply for 41004 & 41003 door closers

Finishes: **SSS** Satin Stainless Steel
PSS Polished Stainless Steel
SE Silver Enamel



44-HO - hold open unit

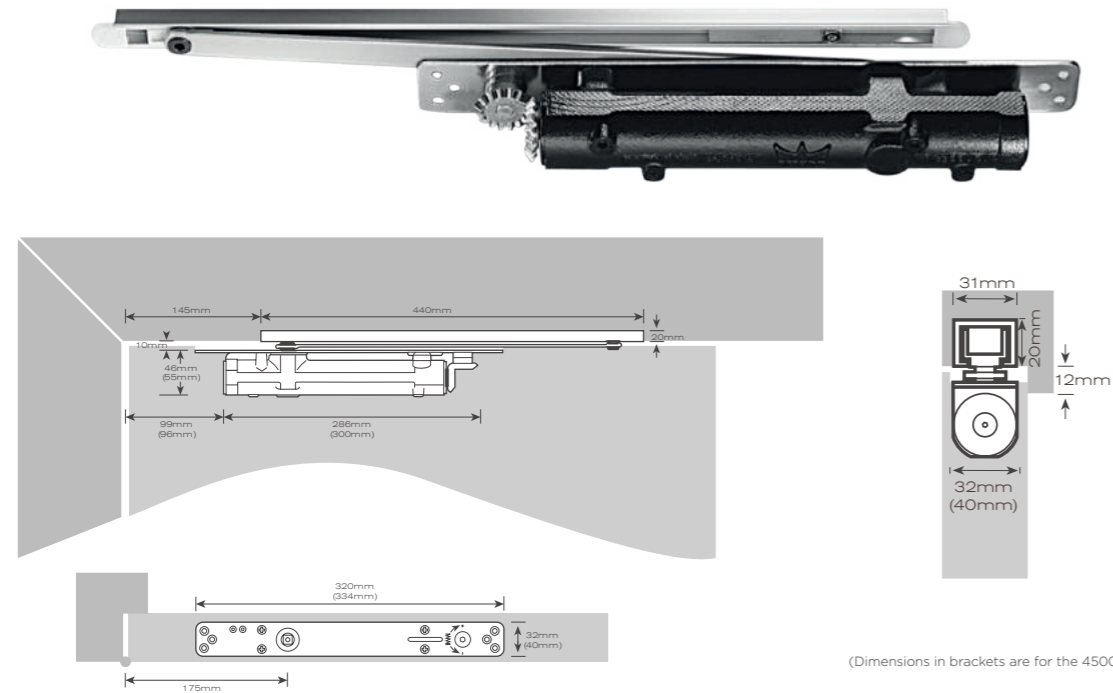
This device can be inserted into any of the guide rails allowing the door to be held open at a pre-selected angle between 0 & 150 degrees

44-CL - cushion limiting stay

This device can be inserted into the guide rails allowing the opening angle of the door to be limited.

This is not a heavy duty unit & should not be used instead of a door stop.

Concealed Door Closers



(Dimensions in brackets are for the 45008)

These concealed guide rail door closers are completely invisible when the door is closed making them ideal for use on projects where the emphasis is on appearance.

The door closer includes the latest in advanced technology including a cam action system that ensures the resistance encountered when opening the door decreases almost instantly with the opening action.

This ease of opening is not only ideal for the elderly, children and disabled people but also offers the ultimate in user convenience for all.

- Backcheck, variable power, hold open and electromagnetic hold open options available
- Adjustable closing speed & latch action
- CE Marked & Certifire approved
- These door closers, when fitted with the correct seals and hinges, will comply on certain door widths with the requirements of BS 8300 & Approved Document M (please consult our technical department for more information)

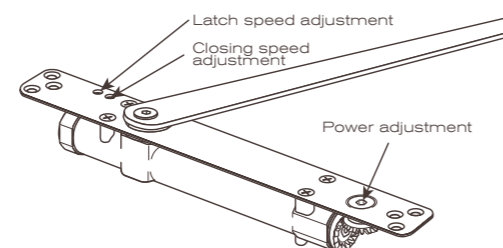
45009 - adjustable power concealed door closer

- Adjustable power size EN 2-4
- Adjustable cushioned limiting stay between 80 & 120 degrees
- Suitable for doors up to 1100mm wide & up to 100kg
- Cushioned limiting stay can limit the opening angle between 80 & 120 degrees (this should only be used to replace a door stop in light duty applications)
- Minimum door thickness 44mm
- Maximum opening angle of 120 degrees
- Tested & approved to EN 1154 Classification 4.8.4/2.11.3

45008 - adjustable power concealed door closer

This closer has all the same features as the 45009 with the following variations:

- Adjustable power size EN 3-6
- Suitable for doors up to 1400mm wide & up to 180kg
- Minimum door thickness 54mm

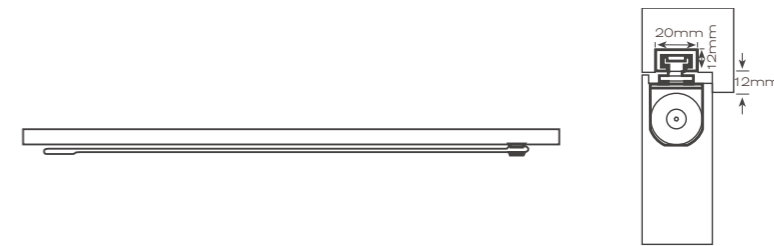


Finishes: **SSS** Satin Stainless Steel
PSS Polished Stainless Steel
SE Silver Enamel

Concealed Door Closers

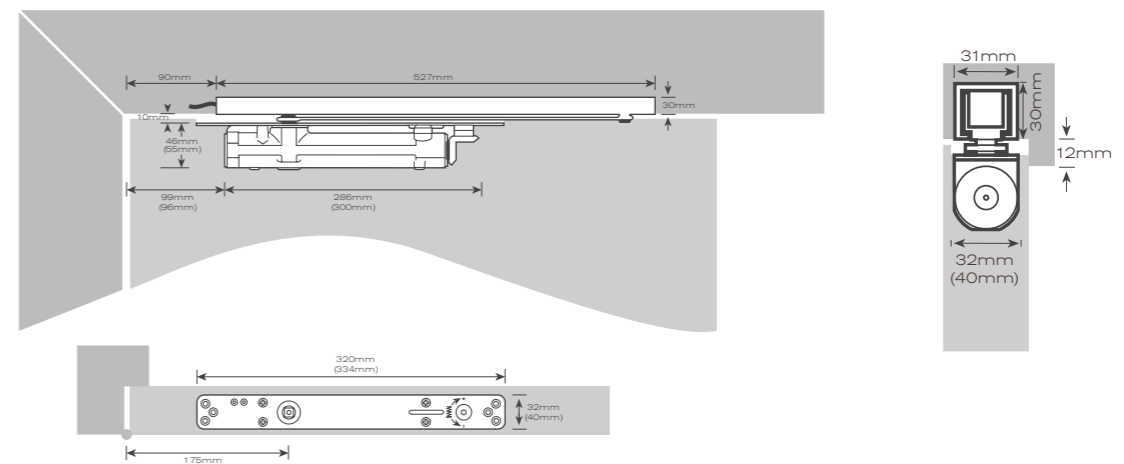
'S' Type Armset

This guide rail and arm set can be used in conjunction with the 45009 or 45008 door closers and offers a slim alternative to the standard arm. Available in a variety of finishes, these arm sets are handed as detailed below.



Electromagnetic Concealed Door Closers

These door closers have all of the same features of the standard 45009 but also incorporate an electromagnetic hold open device within the guide rail that automatically releases in the event of a fire.



45006 - concealed electromagnetic hold open door closers

- Selectable hold open angle between 80 & 120 degrees
- Exact hold open can be achieved with no fall back or creep
- Power supplied to the arm so a power loop is not required
- Tested & approved to EN 1155 Classification 4.8.4/2.11.3

70332 - 24V 1 amp power supply for 45005 & 45006 door closers

45005 - adjustable power concealed door closer

This closer has all the same features as the 45006 with the following variations:

- Adjustable power size EN 3-6
- Suitable for doors up to 1400mm wide & up to 180kg
- Minimum door thickness 54mm

Technical Data:

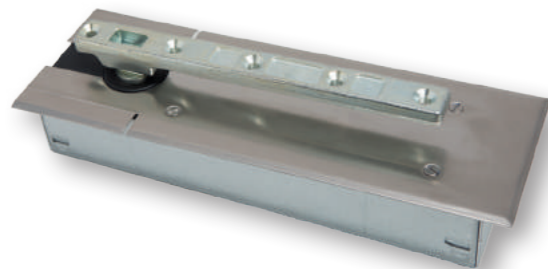
Operating Voltage	24V DC + or - 15%
Power Input	1.4W
Rated for continuous duty	100%
Release force	Adjustable

Floor Springs

This range of floor springs are available with a comprehensive range of accessories ensuring that they can be used with a wide variety of door types and different floor coverings.

The floor springs are a proven robust design and are constructed to the highest standards with a highly efficient mechanism which provides maximum user convenience.

A variety of options are available including variable power, back check, electro hold open and the units that will suit a door leaf up to 1400mm wide and weighing 300kg.



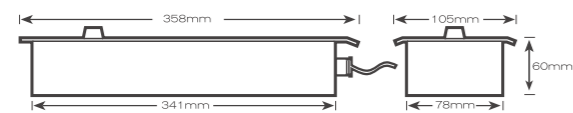
46009 - adjustable power backcheck floor spring unit

- Variable power size EN 1-4
- Adjustable closing speed & latch action
- Backcheck
- Suitable for doors up to 1100mm wide
- Tested & approved to EN 1154 Classification 4.8.4/1.1.1.3

46008 - heavy duty backcheck floor spring unit

- Available in three power sizes:
 - 460083** Size 3 for doors up to 950mm
 - 460084** Size 4 for doors up to 1000mm
 - 460085** Size 6 for doors up to 1400mm
- Adjustable closing speed and latch action
- Backcheck
- Tested & approved to EN 1154 Classification 4.8.3 or 4 or 6.1.1.3

Electromagnetic Floor Springs



46005 - electromagnetic hold open floor spring unit

These floor springs have all of the same features of the standard 46008 but also incorporate an electromagnetic hold open device that automatically releases in the event of a fire.

- Available in three power sizes:
 - 460054** Size 4 for doors up to 1100mm
 - 460055** Size 5 for doors up to 1250mm
 - 460056** Size 6 for doors up to 1400mm
- Hold open angle between 75 & 180 degrees with approximately 3 degrees fall back
- Tested & approved to EN 1155 Classification 4.8.3 or 4 or 6.1.1.3

46004 - electromagnetic free swing floor spring unit

This floor spring has all of the same features as the 46005 however the operation is free swing.

This means that the door will function the same way as a door without a floor spring until the fire alarm is activated when it will self close.

Technical Data:

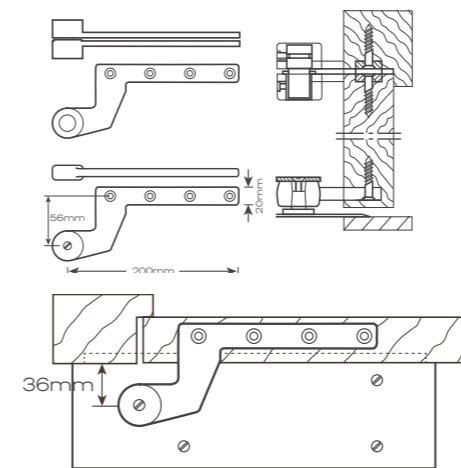
Operating Voltage	24V DC + or - 15%
Power Input	2.3W
Rated for continuous duty	100%

Finishes: **SSS** Satin Stainless Steel
PSS Polished Stainless Steel

Floor Spring Accessories

Single Action

36mm Offset Accessories

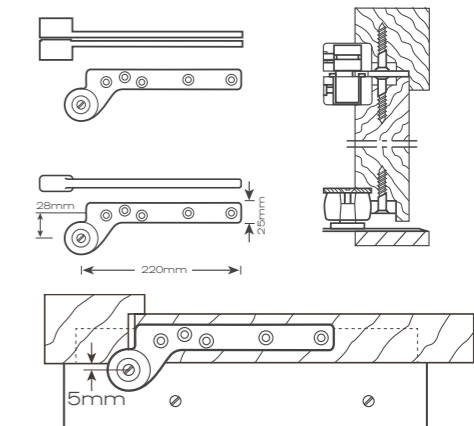


46010S for 46009 46011S for 46004, 46005 & 46008

46001 - cover caps for 36mm offset straps & top centres

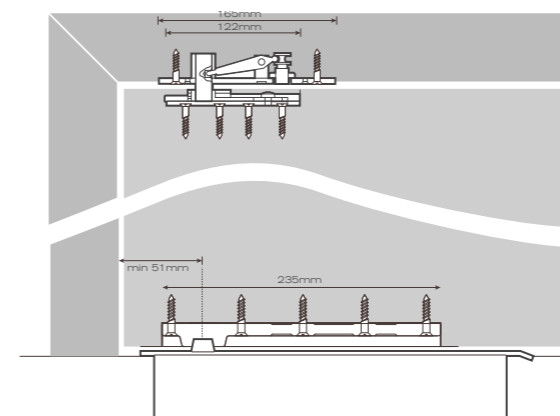


5mm Offset Accessories



46510S for 46009 46511S for 46004, 46005 & 46008

Double Action



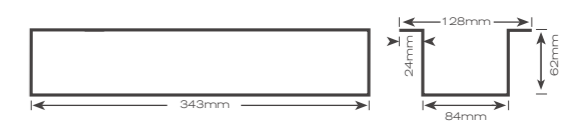
double action accessory pack

46010D for 46009 46011D for 46004, 46005 & 46008

Floor Spring Cradles



46012 - cradle for 46009 floor spring



46013 - cradle for 46004, 46005 & 46008 floor springs

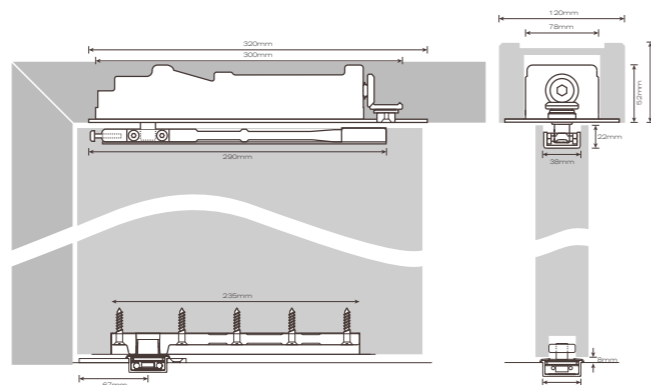
Transom Closers



These transom closers offer an ideal solution for double action doors where the floor construction does not allow floor springs to be used.

47009 - adjustable power backcheck transom closer

- Variable power size EN 1-4
- Adjustable closing speed and latch action
- Backcheck
- Suitable for doors up to 1100mm wide
- Tested & approved to EN 1154 Classification 4.8.4/1.1.1.3



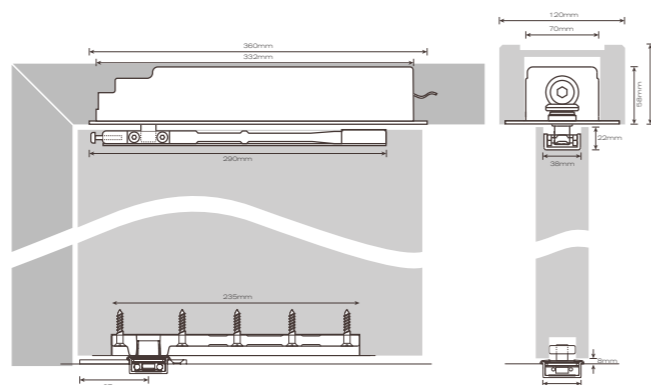
Electromagnetic Transom Closers



47005 - electromagnetic hold open transom closer

These transom closers also incorporate an electromagnetic hold open device that automatically releases in the event of a fire.

- Available in two sizes:
 - 470054** Size 4 for doors up to 1100mm
 - 470055** Size 5 for doors up to 1250mm
- Adjustable closing speed and latch action
- Backcheck
- Suitable for doors up to 1250mm wide
- Tested & approved to EN 1155 Classification 4.8.5/1.1.1.4
- Available in two power sizes
- Hold open angle between 75 & 180 degrees with approximately 3 degrees fall back
- Tested & approved to EN 1155 Classification 4.8.3 or 4 or 6.1.1.3



47004 - electromagnetic free swing transom closer

These transom closers have all of the same features as the 47005 however the operation is free swing.

This means that the door will function the same way as a door without a door closer until the fire alarm is activated when the door will self close.

- Available in two sizes:

470044 Size 4 for doors up to 1100mm

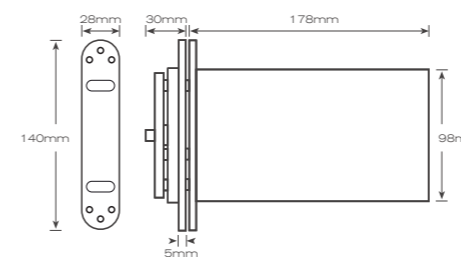
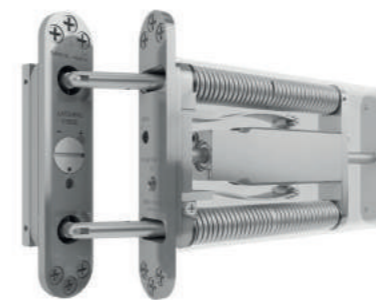
470045 Size 5 for doors up to 1250mm

Technical Data:

Operating Voltage	24V DC + or - 15%
Power Input	2.3W
Rated for continuous duty	100%

Finishes: **SSS** Satin Stainless Steel
PSS Polished Stainless Steel
SE Silver Enamel

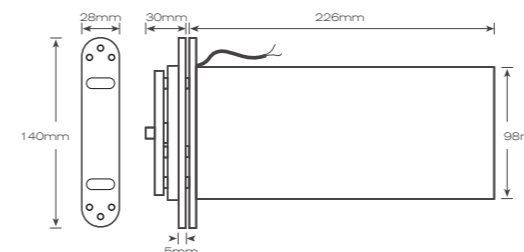
Concealed Door Closers



These door closers have adjustable closing speed and provide controlled closing of the door without slamming and are completely hidden when the door is closed.

49011 - jamb mounted concealed door closer

- Suitable for internal doors up to 80kg and 950mm wide
- Adjustable closing speed and latch action
- Tested to 500,000 cycles
- Fire tested to EN 1634-1 and BS 476 for half hour and one hour fire rated doors
- Type tested to EN1154 power size 3
- CE Marked & Certifire Approved



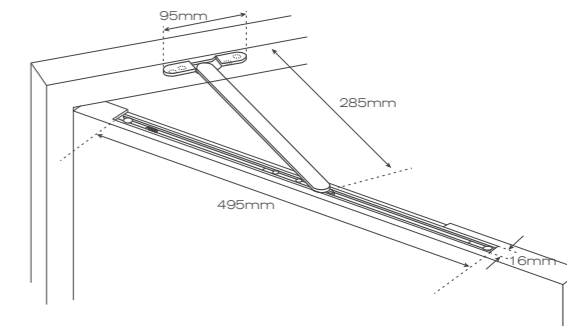
49012 - free swing jamb mounted concealed door closer

These door closers have all of the same features of the 49011 however the operation is free swing.

This means that once the closer is primed the door will function the same way as a door without a closer until the fire alarm is activated when it will self close.

Finishes: **SSS** Satin Stainless Steel
PSS Polished Stainless Steel

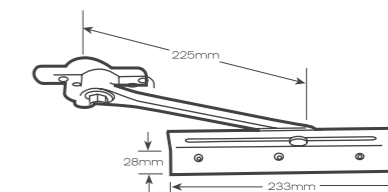
Limiting Stays



49020 - 395mm mortice limiting stay for doors up to 750mm wide

49021 - 495mm mortice limiting stay for doors 750-926mm wide

Finishes: **SSS** Satin Stainless Steel
PSS Polished Stainless Steel
SE Silver Enamel

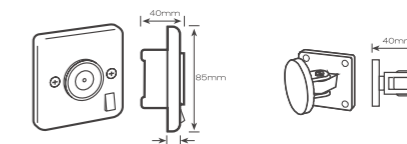


49011 - friction limiting stays

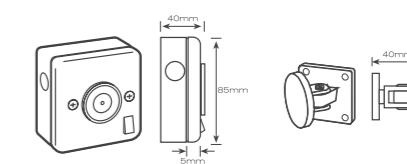
Finishes: **SE** Silver Enamel

Electromagnetic Door Holders

- Integral test switch
- 12 or 24v (please specify)



49010 - flush wall mounted



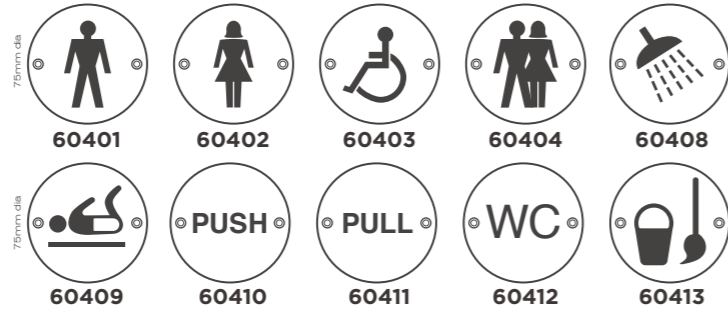
49009 - surface wall mounted

Finishes: **SSS** Satin Stainless Steel
WH White

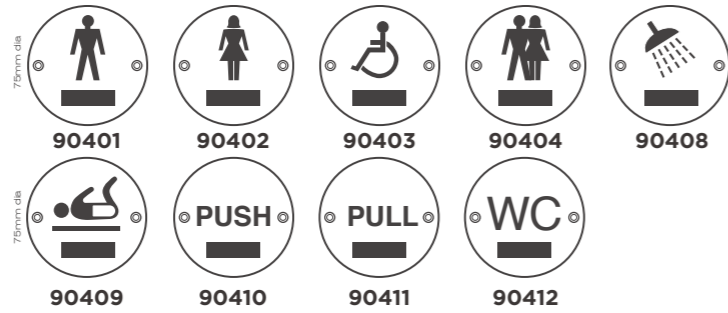
integra ancillary hardware

Signs

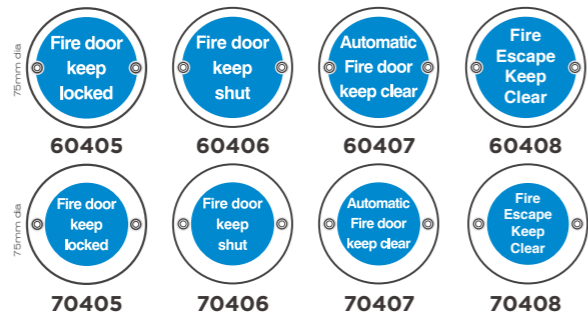
Door Signs



Tactile & Braille Door Signs

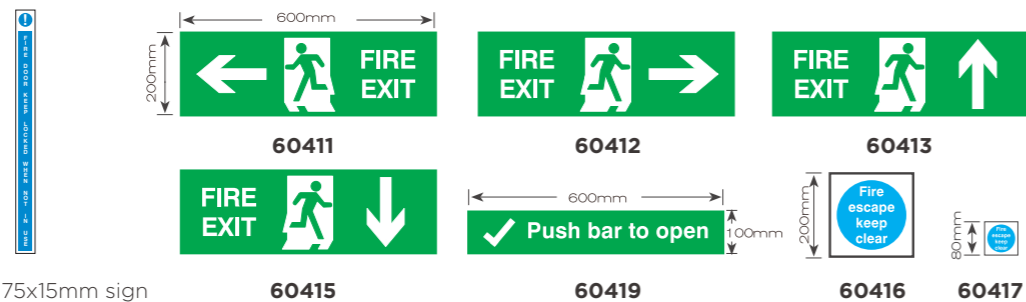


Fire Signs



Finishes: **SSS** Satin Stainless Steel
PSS Polished Stainless Steel
SAA Satin Anodised Aluminium

Fire Signs



80405 - 175x15mm sign
 'FIRE DOOR KEEP LOCKED
 WHEN NOT IN USE'

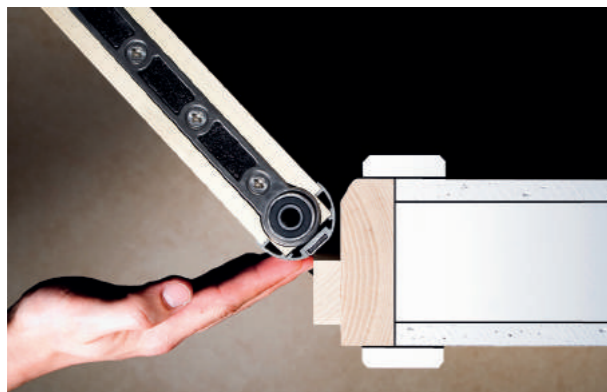
Finishes: **RP** Rigid Plastic

integra bespoke signs

Wayfinding & Door Signs

A range of wayfinding and door signs are available, please contact our sales office to discuss your requirements.





This finger safe system makes it almost impossible for small fingers to become trapped thanks to the unique design.

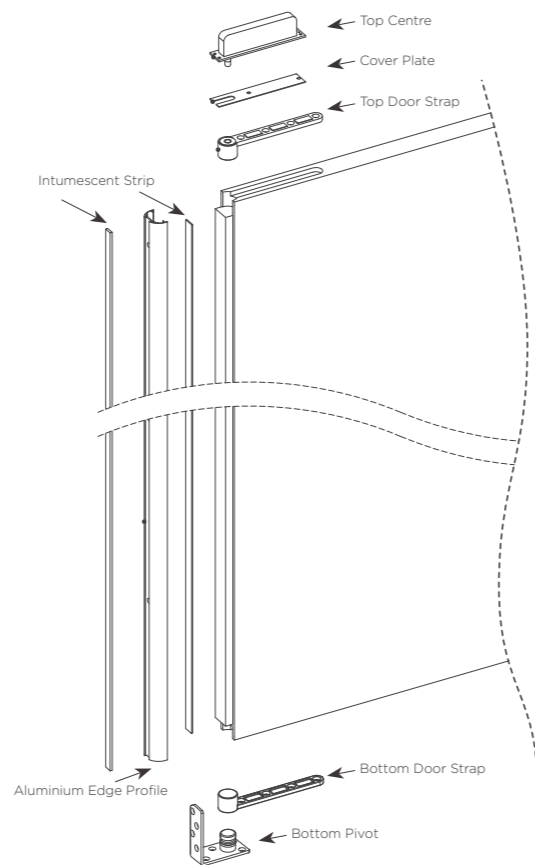
The sleek design of the system integrates perfectly with the door and frame making it the most unobtrusive finger protection system available.

The aluminum profile that fits onto the edge of the door has an integral pivot and top centre for single or double action doors. If the doors are required to self-close, a standard overhead door closer can be used on single swing doors and a floor spring or transom closer on double swing doors.

- Suitable for single or double action doors
- Fire tested for use with FD30 or FD60 fire rated doors
- Can be integrated with a 46009 floor spring or 47009 transom closer for double action doors
- Tested to 1.5 million cycles
- Suitable for doors up to 120kg
- Acoustic rated up to 38dB (Glazed doors)
- Severe duty DD171

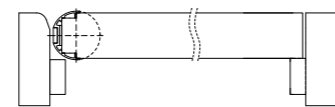
Notes

- The opening angle must be limited to 100 degrees
- The standard floor pivot will accommodate an undercut of between 5mm and 13mm and if a larger one is required the 'long stem' pivot should be used which is adjustable between 5mm and 25mm

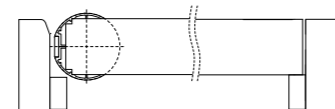


Typical Installation

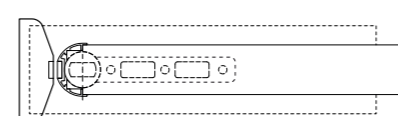
Single Swing FD30



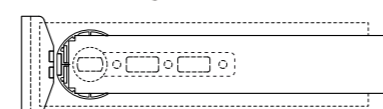
Single Swing FD60



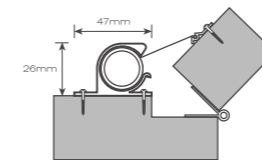
Double Swing FD30



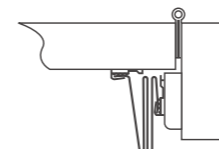
Double Swing FD60



Finger Protection



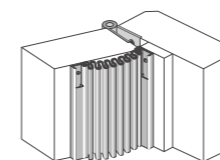
60668 - 1925mm long (can not be cut down)
Finishes: SAA, White, Bronze



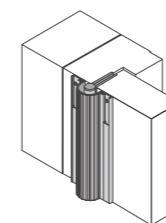
60670F - 2150mm long (can be cut down)
Finishes: Brown, White, Black



60671 - 2150mm long (can be cut down)
Finishes: Brown, White, Black

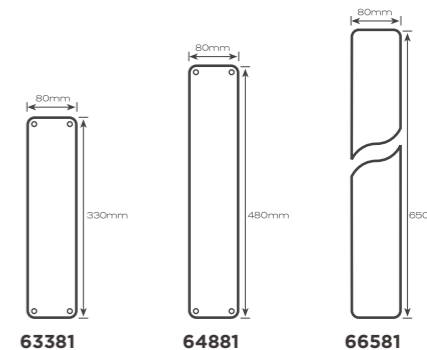


60675 - 2100mm long (can be cut down)
Finishes: SAA with Black, Brown, Cream or Grey Gasket



60676 - 2100mm long (can be cut down)
Finishes: SAA with Black, Brown, Cream or Grey Gasket

Push & Kick Plates



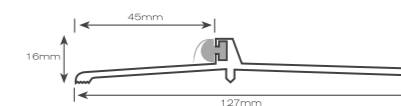
1.6mm aluminium & 1.5mm stainless steel
Note: Push plates of any size can be manufactured



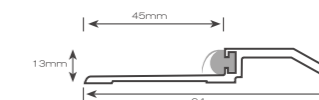
69001 Kick & mid rail plates
Note: Plates of any size can be manufactured

- Finishes:** SSS Satin Stainless Steel
PSS Polished Stainless Steel
SAA Satin Anodised Aluminium

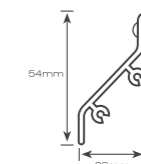
Threshold Seals



60681 - 1219 or 2134mm long (can be cut down)
• latch track works with the 51140 bottom pullman latch



60682 - 1219 or 2134mm long (can be cut down)



Rain Deflector

60683 - 1000mm long (can be cut down)

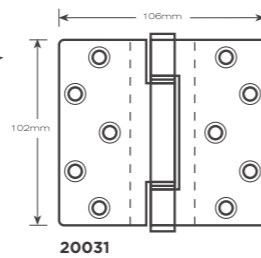
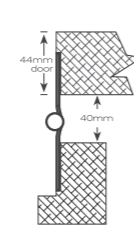
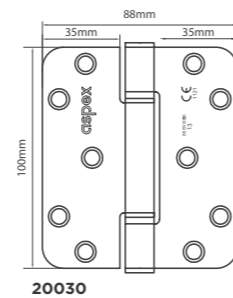
Heavy Duty Hinges

Fixed Pin Hinge

20030 - 100x88x3mm hinge

20031 - 100x106x3mm projection hinge

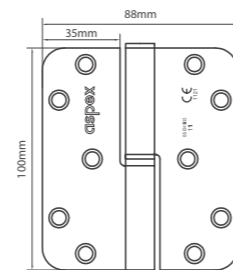
- Low friction bearings
- Maintenance-free and require no lubrication
- 25 year guarantee
- Suitable for doors up to 120kg
- Grade 304 Stainless Steel
- Available with radiused corners
- Tested and approved to EN 1935: 2002 Grade 13
- CE Marked
- Certifire Approved



Lift Off Hinge

20032 - 100x88x3mm lift off hinge

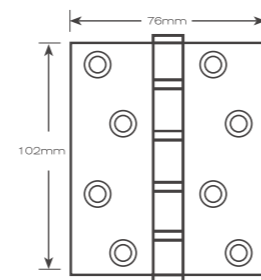
- Low friction bearings
- Maintenance free and require no lubrication
- 25 year guarantee
- Suitable for doors up to 120kg
- Grade 304 Stainless Steel
- Available with radiused corners
- Tested and approved to EN 1935: 2002 Grade 13
- CE Marked
- Certifire Approved



Ball Bearing Hinge

20001 - 102x76x3mm hinge

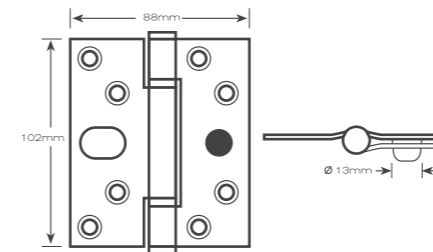
- Suitable for doors up to 120kg
- Grade 304 Stainless Steel
- Available with radiused corners
- Tested and approved to EN 1935: 2002 Grade 13
- CE Marked
- Certifire Approved



Finishes: SSS Satin Stainless Steel

Miscellaneous Hinges

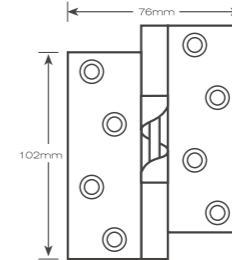
Security Hinge



20017 - dogbolt security hinge

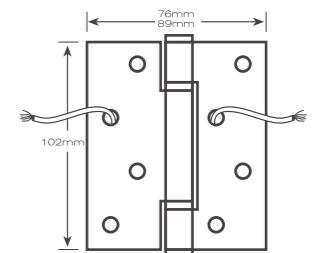
These hinges have all of the same features as the 20001 hinges but also incorporate a pin for added security.

Rising Hinge



20010 - 102x76mm rising hinge

Conductor Hinge



20021 - 102x76x3mm - two wire conductor hinge

20022 - 102x76x3mm - four wire conductor hinge

Concealed Hinges

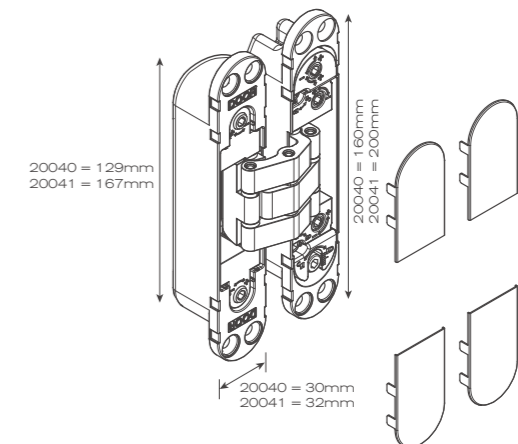
20040 - concealed hinge

- Three way adjustable
- Low friction teflon bearings
- Tested to 200,000 cycles
- 180 degree opening
- Suitable for doors up to 80kg with two hinges or 120kg with three
- Maximum door leaf height of 2700mm
- CE Marked
- Suitable for FD30 fire rated doors



20041 - concealed hinge

- Three way adjustable
- Low friction teflon bearings
- Tested to 200,000 cycles
- 180 degree opening
- Suitable for doors up to 120kg with two hinges or 140kg with three
- Maximum door leaf height of 2700mm
- CE Marked
- Suitable for FD30 fire rated doors

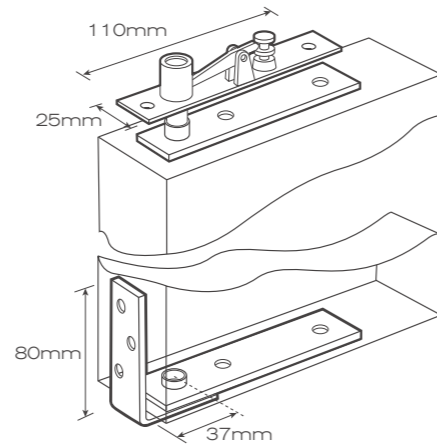


Finishes: SSS Satin Stainless Steel
PCP Polished Chrome plated
WH White

Pivots

Double Action Pivots

These double action pivots, when fitted in conjunction with one of the emergency door releases, are ideal for use on doors that open into a room where there is a possibility that in an emergency situation the door will be required to open outwards.



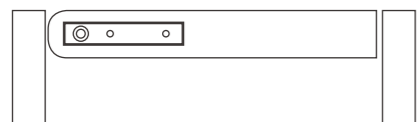
20014C - double action pivot set

- Suitable for door weighing up to 80kg
- Manufactured from Grade 304 stainless steel
- Maintenance free and guaranteed for 25 years
- FD30 Fire rated

Installation Options

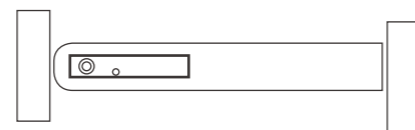
Offset Mounted Pivot

With this installation the door will open inwards to 120 degrees and outwards to 90 degrees which helps to maximise the clear opening width.



Centre Mounted Pivot

With this installation the door will open to 90 degrees in either direction.

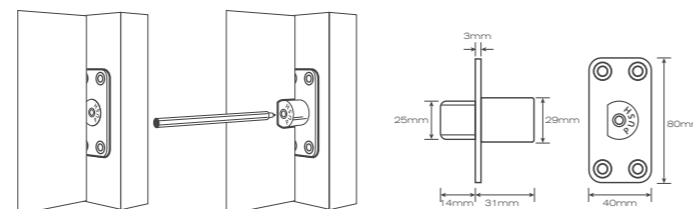


Removable door stops

Emergency Releases

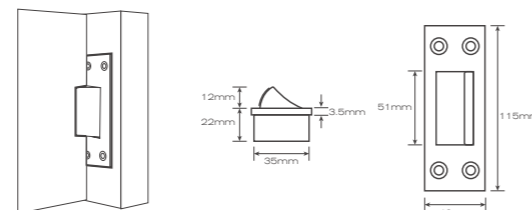
20013 - emergency release

- The stop, when pushed in, is held in the open position allowing the door to be opened outwards
- To release the stop a pen is pushed in the centre of the stop and this releases it
- Manufactured from Grade 304 stainless steel



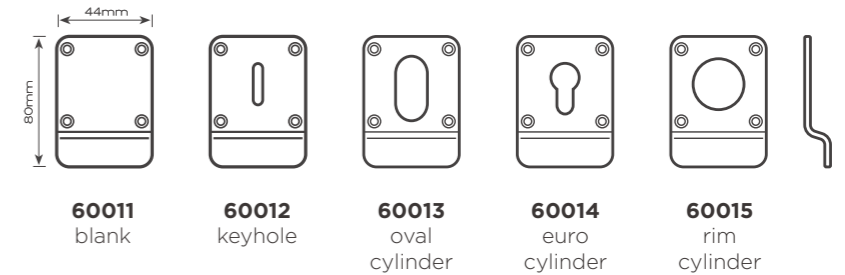
20013C - emergency release

- The stop is pushed in and held and the door can then be opened outwards
- When released the stop springs back out and resets automatically

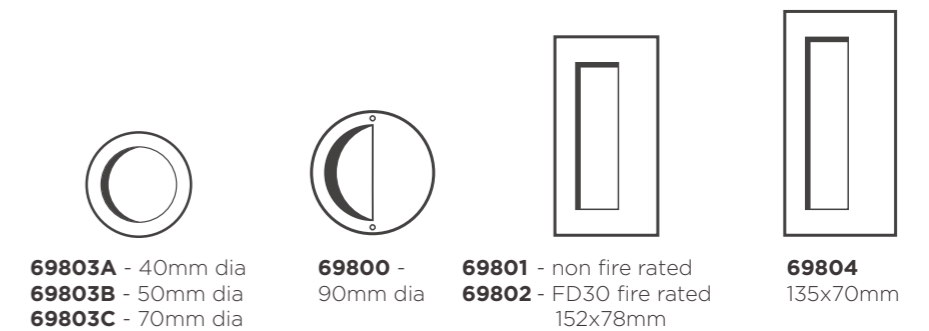
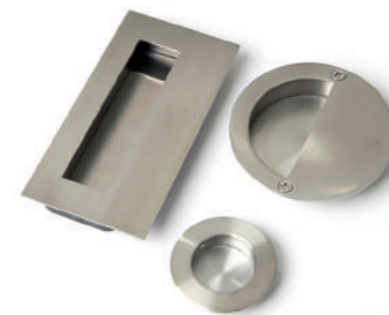


Cylinder Pulls, Flush Pulls, Coat Hooks & Door Stops

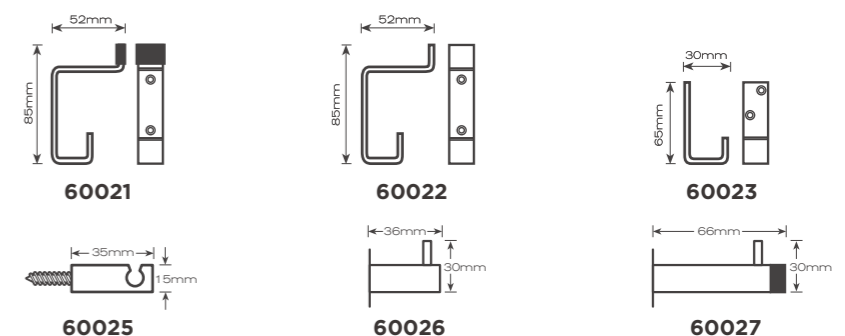
Cylinder Pulls



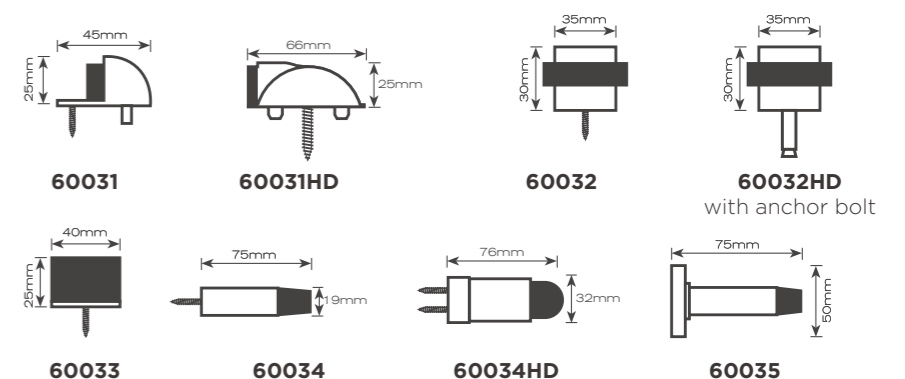
Flush Pulls



Hat & Coat Hooks



Door Stops

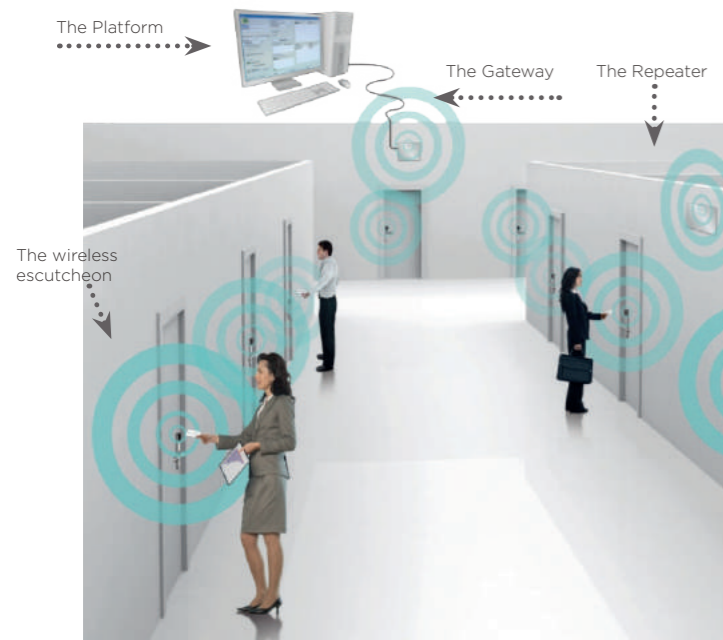


Finishes: SSS Satin Stainless Steel
 PSS Polished Stainless Steel
 SAA Satin Anodised Aluminium

All Flush Pulls, 60025, 60026 & 60027 Coat Hooks, 60031HD, 60032HD & 60034HD Door Stops are not available in SAA finish

integra access control

Handles, Cylinders & Readers



Traditional access control systems require mains power and cabling to link them together which is expensive and generally results in only a few doors in a building being access controlled.

The Salto system however uses a combination of stand alone battery powered handles sets and hard wired on-line wall readers which offers unrivalled flexibility and means that more doors within the building can be access controlled for a fraction of the cost.

The system is available with the option of having a virtual network where the card or fob transfers information from the hard wired wall readers to the standalone units and back again or with a wireless network where you have real time communication.

Handle Sets

These lever handle sets are battery powered and the standard handle set is access controlled from one side and has free access from the other side.

Other options are available including a privacy version for use on toilet doors or accommodation schemes where automatic locking of the door is not required and also a security handle set for external or secure doors.



The stylish minimalistic design of this version of the handle set has a separate reader which means that it can be combined with a wide range of designer lever handles in a variety of different finishes.



Wall Reader

Wall readers are available for doors where hard wired access control is required and these are connected to a control unit which is linked to the local area network and provide real time information.

The readers also update the card or fob with the latest system information which they then transfer to the handle sets or cylinders when they are used to open the door.



Cylinders

A wide range of cylinders in different profiles are available and these are an ideal solution for almost any type of door.

The turn on the secure side spins freely and when a valid card or fob is presented to it a green light flashes, a clutch is engaged and the door can be unlocked.



Automatic Door Operators



Aspex Security, which is a separate division of Aspex UK, has highly trained engineers who can install a full range of automatic door operators including low energy or fully automatic swing door operators and sliding door systems.

Fully Automatic Doors

This configuration is suitable for use in high traffic areas on both internal and external doors and incorporates safety sensors on both sides of the door to prevent injury to people passing through the door.

The opening and closing speed of the operator can be adjusted to suit the requirements of each door and the unit can be activated by a variety of 'switches' including push pads, PIR sensors or alternatively they can be linked to an electronic lock and access control system.

Key switches are included in the installation and these enable the doors to be set as either automatic, permanently open or off which allows the door to be locked.

Low Energy Doors

This configuration is ideal for low traffic areas or where the door is usually opened manually and will only occasionally be required to open automatically.

This installation does not include safety sensors as standard as the operators open at a slow speed and if the door comes into contact it will stop immediately and wait for the object to move and then will try to open the door again.

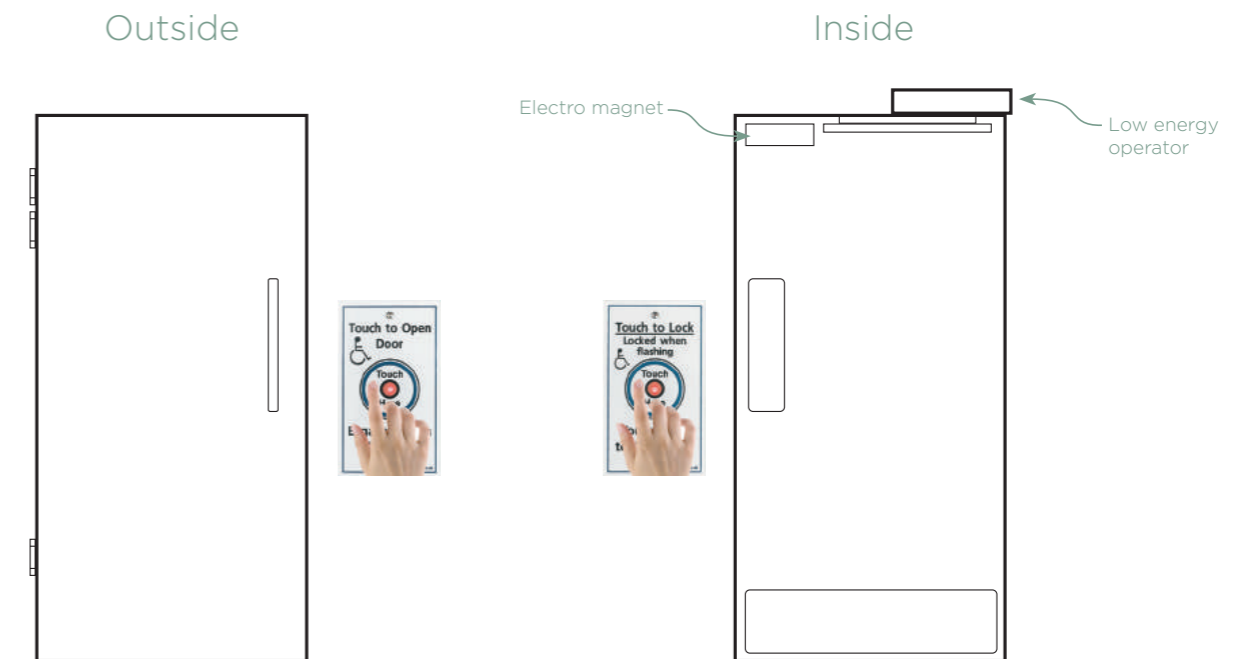
The unit can be activated by the same controls as used in the automatic configuration but can also be set in 'push and go' mode which means that when someone pushes or pulls the door open the operator will sense this and activate to assist in opening the door.

The operation of these doors is virtually silent making them ideal for use in living areas.

Automatic Door Operators

Disabled Persons Toilet System

The installation of the low energy operator can be configured specifically for a disabled toilet door and includes an electronic locking system with touch pads on both sides of the door and an external light to indicate that the room is in use.



Operation

Entry Touch the entry sensor. The door opener will activate to provide access, or enter manually.

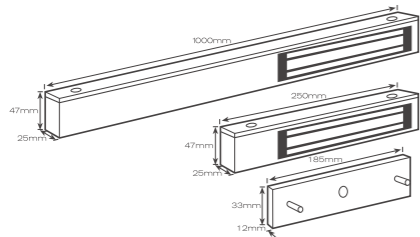
Lock When inside the toilet, touch the internal sensor to lock the door. To confirm the door is locked, the red indicator on both sensors will flash showing the toilet is engaged and inhibiting the entry sensor.

Exit Touch the internal sensor once more and the indicator stops flashing. The door will be unlocked and the door opener activated. The entry sensor stops flashing and becomes operable once again to provide access.

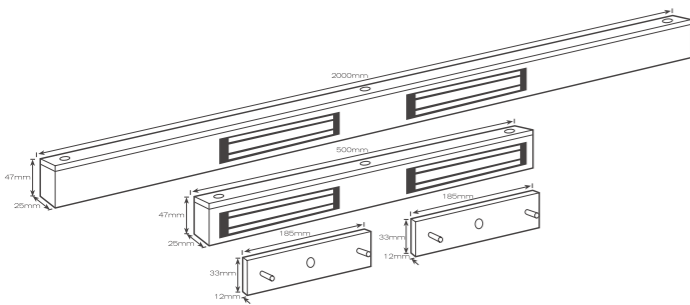
The touch sensors require no physical pressure to operate which make them ideal for use by people with physical disabilities. The signage design incorporates a static and flashing ultrabrite LED whilst also providing a colour contrast which makes them suitable for visually impaired people.

Slimline Magnets

- Compact design for use on internal doors
- Holding force of up to 600lbs/270kg
- Operable by 12V & 24V power supply units
- Current consumption of 500mA at 12VDC & 250mA at 24VDV
- Monitored version available
- Suitable for use on fire escape doors
- Monitored version (hall effect) available

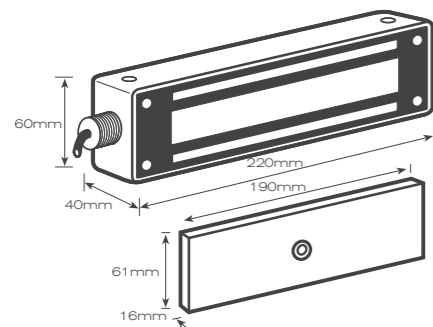


- 70001** - standard 250mm single magnet
- 70001M** - monitored 250mm single magnet
- 70001F** - standard 1000mm single magnet
- 70001FM** - monitored 1000mm single magnet



- 70002** - standard 500mm double magnet
- 70002M** - monitored 500mm double magnet
- 70002F** - standard 2000mm double magnet
- 70002FM** - monitored 2000mm double magnet

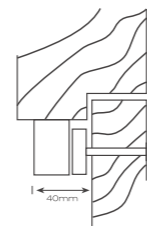
External Magnet



- Water resistant for use in external exposed locations
- Holding force of up to 1200lbs/540kg
- Operable by 12V & 24V power supply units
- Current consumption of 500mA at 12v DC and 250mA at 24v DC
- Suitable for face or soffit mounting

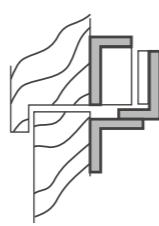
- 80001** - standard magnet
- 80001M** - monitored magnet

Accessories

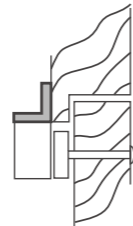


Standard Installation

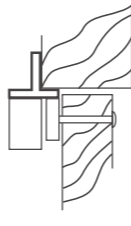
Mounting Brackets



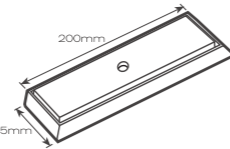
70001Z
Z&L Bracket



70001L
L Bracket



70001T
T Bracket

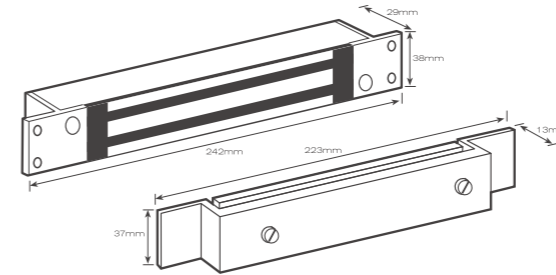


70001S - surface armature housing



70001R - flush armature housing

Self Aligning Shearlock



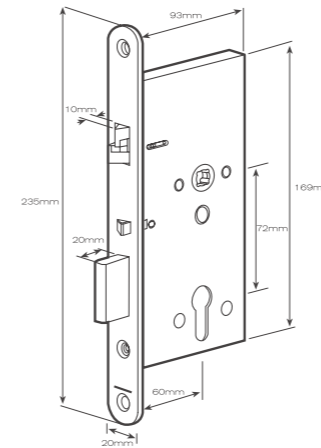
This shearlock self-aligns into the correct locking position as the door closes.

The design eliminates the potential risk of partial locking and releases instantly without binding.

- Holding force of up to 1000lbs and 455kg
- Operable by 12V and 24V power supply units
- Current consumption of 350mA at 12vDC and 175mA at 24vDC
- Suitable for single or double action swing doors and sliding doors
- Monitored (hall effect) available

- 77200** - mortice shearlock
- 77201** - monitored mortice shearlock

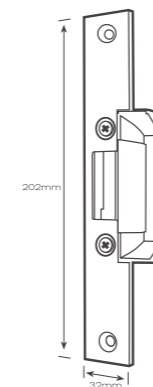
Electric Lock



- Easily reversible & suitable for all hands of doors
- Interchangeable between fail safe & fail secure
- Door automatically deadlocks when door closes
- Monitoring of the door/bolt position & egress operation
- Operable by 12V & 24V power supply units
- Key override will operate lock at all times
- CE Marked to EN179 & suitable for emergency exit doors

- 76400** - solenoid lock

Electric Strikes

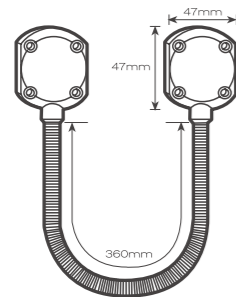


- Stainless steel face plate and striker
- Holding force of 3,000lbs/1350kg
- Accepts 19mm latch bolt with 3mm door gap
- Interchangeable between fail safe & fail secure on site
- Slimline body with a depth of only 35mm
- Low current consumption of 243mA at 12V DC & 187mA at 24V DC
- 20 minute fire rated
- Tested to 1 million cycles
- 5 year guarantee
- A 'lipless' version for use with lock shields of doors with astragal strips is available. Suffix the code with 'LL'.

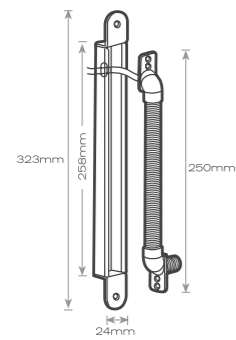
- 70200** - 12V electric strike
- 70201** - 24V electric strike

Accessories

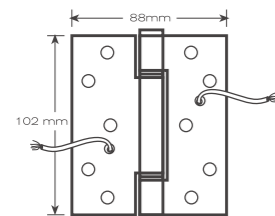
Frame to Door Transfers



70327 - surface armoured door loops



70328 - concealed armoured door loop

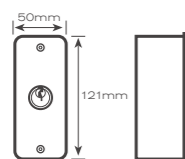


70340 - two wire conductor hinge

70341 - four wire conductor hinge

For radius corners suffix 'R'

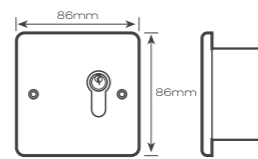
Key Switches



70342 - on/off keyswitch

70343 - off/hold open/auto keyswitch

Key Switches



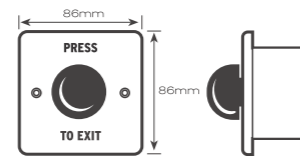
70324 - stainless steel surface mounted europrofile momentary keyswitch

70325 - stainless steel surface mounted europrofile maintained keyswitch

70326 - stainless steel flush mounted europrofile momentary keyswitch

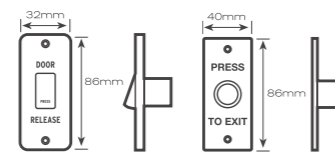
70315 - stainless steel flush mounted europrofile maintained keyswitch

Exit Switches



70320 - stainless steel surface mounted 'green dome' heavy duty exit switch

70300 - stainless steel flush mounted 'green dome' heavy duty exit switch



70321 / 70301 **4011S / 4011F**

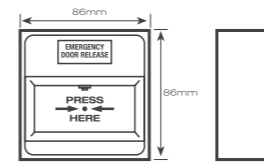
70321 - stainless steel surface mounted slim architrave mounted exit switch

70301 - stainless steel flush mounted slim architrave mounted exit switch

4011S - plastic surface mounted slim architrave mounted exit switch

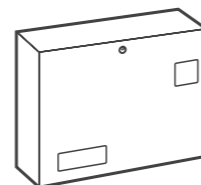
4011F - plastic flush mounted slim architrave mounted exit switch

Break Glass Unit



70314 - green resettable breakglass unit

Power Supplies



70302 - 12VDC 1 Amp power supply unit

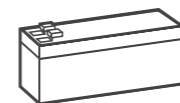
70332 - 24VDC 1Amp power supply unit

70303 - 12VDC 2 Amp power supply unit

70333 - 24VDC 3Amp power supply unit

70304 - 12VDC 5 Amp power supply unit

70334 - 24VDC 5Amp power supply unit



70312 - rechargeable battery back up unit for 12V power supply units

70335 - rechargeable battery back up unit for 24V power supply units





aspex

ASPEX UK
The Whittle Estate
Cambridge Road
Whetstone
Leicestershire
LE8 6LH
T: 0116 278 3506
F: 0116 278 4069

ASPEX SCOTLAND
39 Deerdykes View
Westfield
Cumbernauld
G68 9HN
T: 01236 720061
F: 01236 780170

W: aspex-uk.co.uk
E: sales@aspex-uk.co.uk