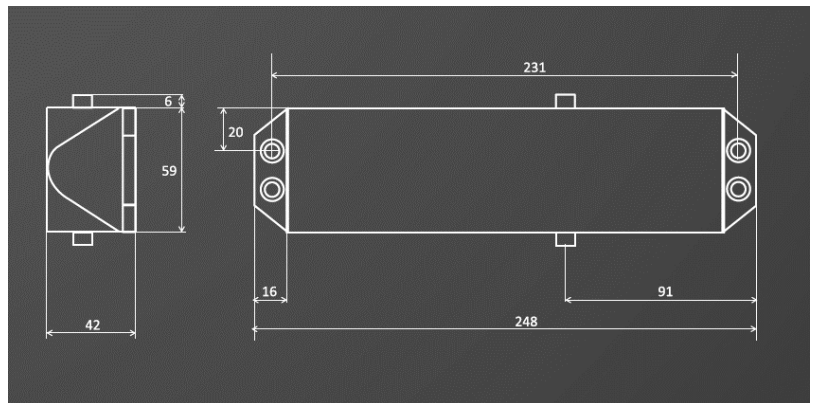


49002A Door Closer

Not to scale



Overview

- Durable, variable power overhead door closer
- Spring adjustable, suitable for most applications particularly those with constant use which require a backcheck function
- High corrosion resistance
- Suitable for use on timber fire doors of up to 120 minutes fire resistance
- Fire tested to EN1634

Finish options

- SSS, SIL, PB, PSS, RAL/Lacquered, Special Plated finishes

Maintenance

- To be carried out by approved specialists only
- A door stop must be fitted to limit the opening of the door
- Regularly check the assembly for tolerance and undue wear
- Tighten any screws or bolts that may become loose and adjust the closer if necessary
- Annually grease the moving parts and check the operation of the doors adjusting if necessary
- Repair works or any replacements have to be executed by the manufacturer or specialists authorised by the manufacturer
- If, for any reason, the product fails due to a defect in manufacture, contact us and we will advise on the replacement procedure

Standards

CE Marked

Warranty

Supported by a 2 year warranty

Packaging

Individually boxed with assembly & care instructions. Multiple handles in an outer box (varies per order).

Please note:

Aspex reserves the right to change specification without notice.