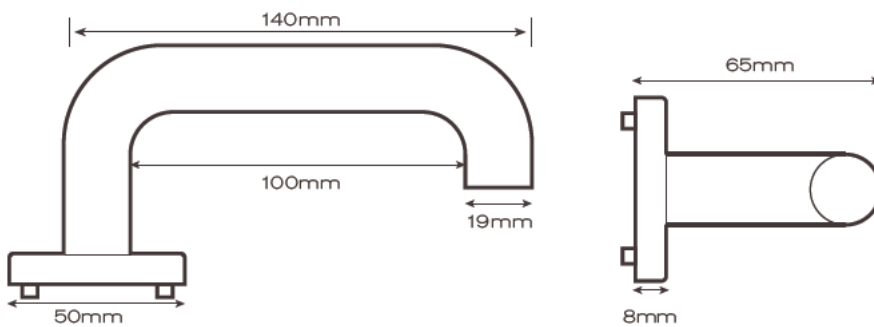




Lever Handle



15194 19mm safety lever handle on 50x8mm rose

- Manufactured from grade 304 stainless steel
- Solid cast sprung rose with lug supports
- Through fixed roses
- Spindle fast fixing system prevents levers from pulling off the doors
- Concealed fixings to prevent illegal tampering
- Lever fixed to metal inner rose
- Dimensions comply with the requirements of BS8300 and Approved Document M
- CE marked

Technical Data

Certification:

EN1906 Classification number: 47-1140B

Durability - highest grade of 4

Performance Test:

Tested to 200,000 cycles

Maintenance

To be carried out by approved specialist only.

No abrasives or chemicals to be used. Wipe with soft damp cloth or, when necessary, warm soapy water and a soft cloth. Every three months, check that the lever handle grub screw is flush with the surface on the handle. If it is projecting, retighten it. If the rose is loose, remove the rose cover and tighten the through fixing bolts.

If for any reason the products fail due to a defect in manufacture, contact us and we will advise you of the replacement procedure.