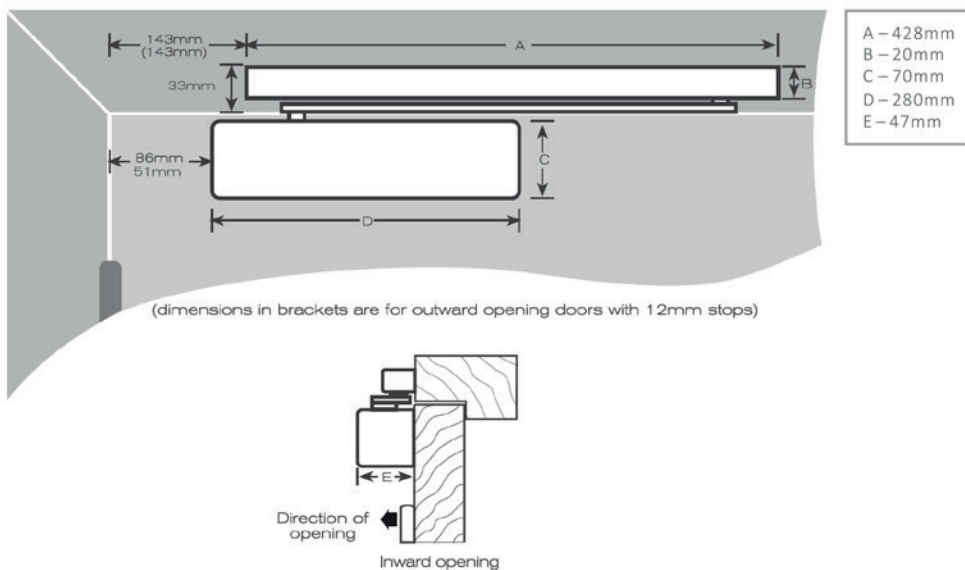




Door Closer



44008 adjustable power guide rail door closer - aluminium

- Adjustable power size EN 2-4
- Non-projecting arm prevents vandalism
- Complies with the requirements of BS 8300 & Approved Document M (please consult our technical department for more information)
- Available in satin anodised aluminium with matching arm
- Suitable for interior doors up to 1100mm wide
- CE marked

Technical Data

Fire Test Certificate:
Certifire approved

Certification:
Tested to EN1154
Classification 4.8.4/2.1.1.3

Maintenance

To be carried out by approved specialists only.
A door stop must be fitted to limit the opening of the door. Regularly check the assembly for tolerance and undue wear. Tighten any screws or bolts that may become loose and adjust the closer if necessary. Annually grease the moving parts and check the operation of the doors adjusting if necessary. Repair works or any replacements have to be executed by the manufacturer or specialists authorised by the manufacturer.
If for any reason the products fail due to a defect in manufacture, contact us and we will advise you of the replacement procedure.