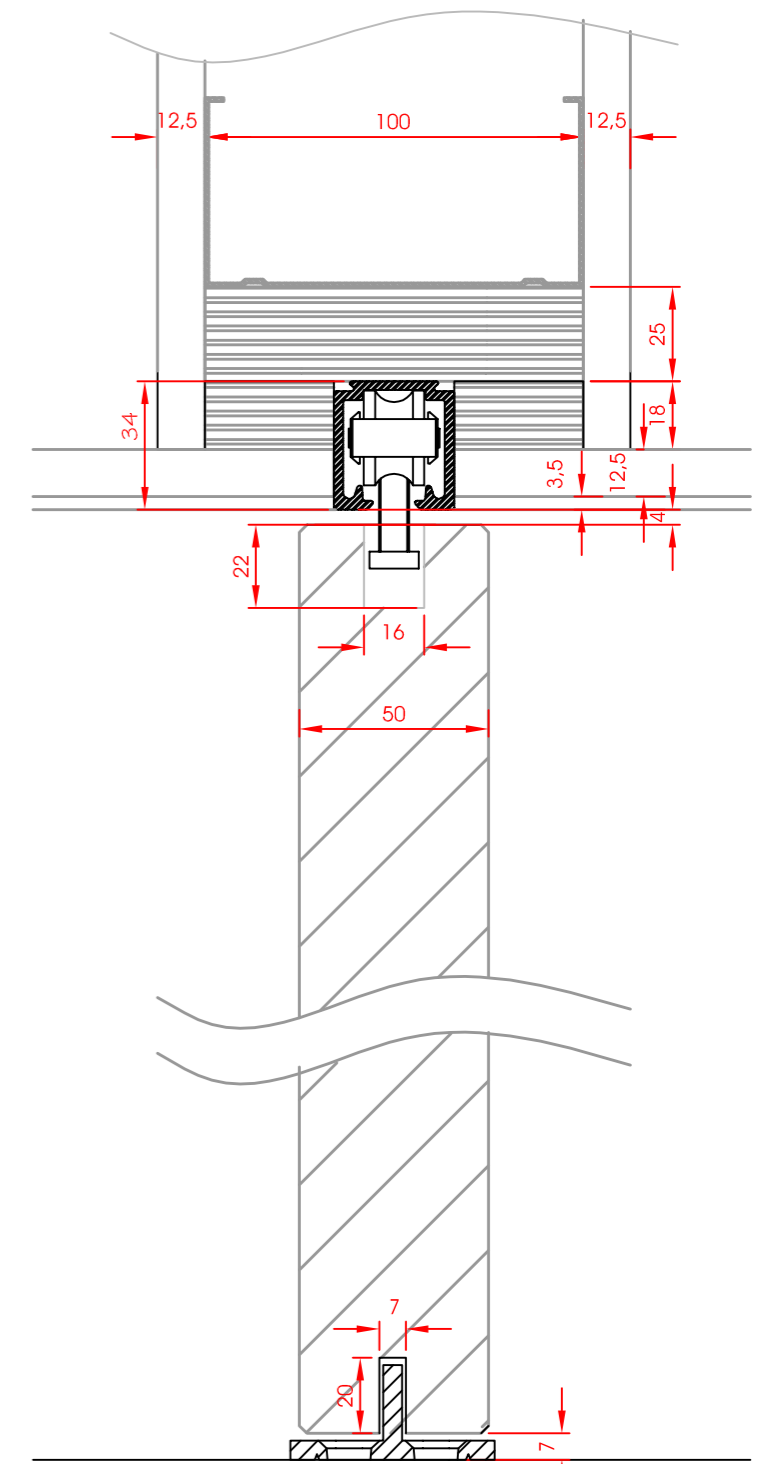
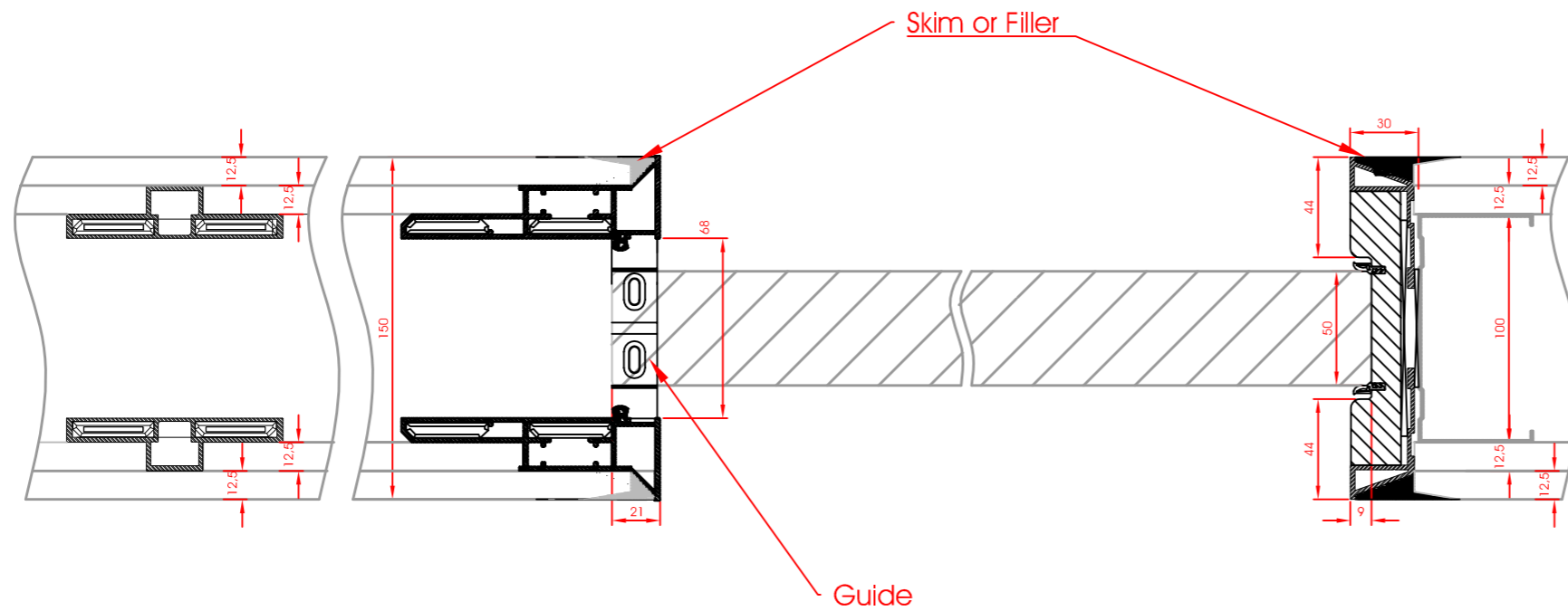



Elevation

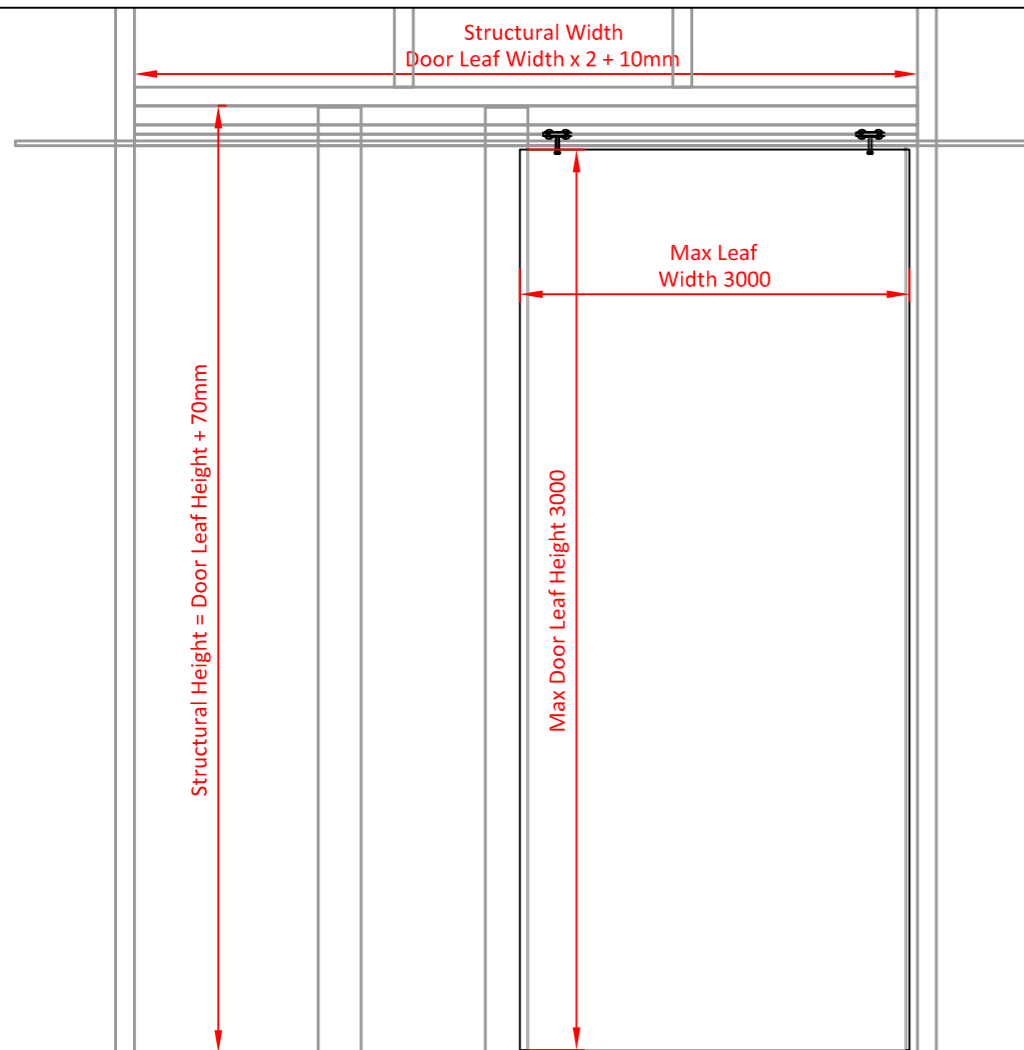


Vertical Section

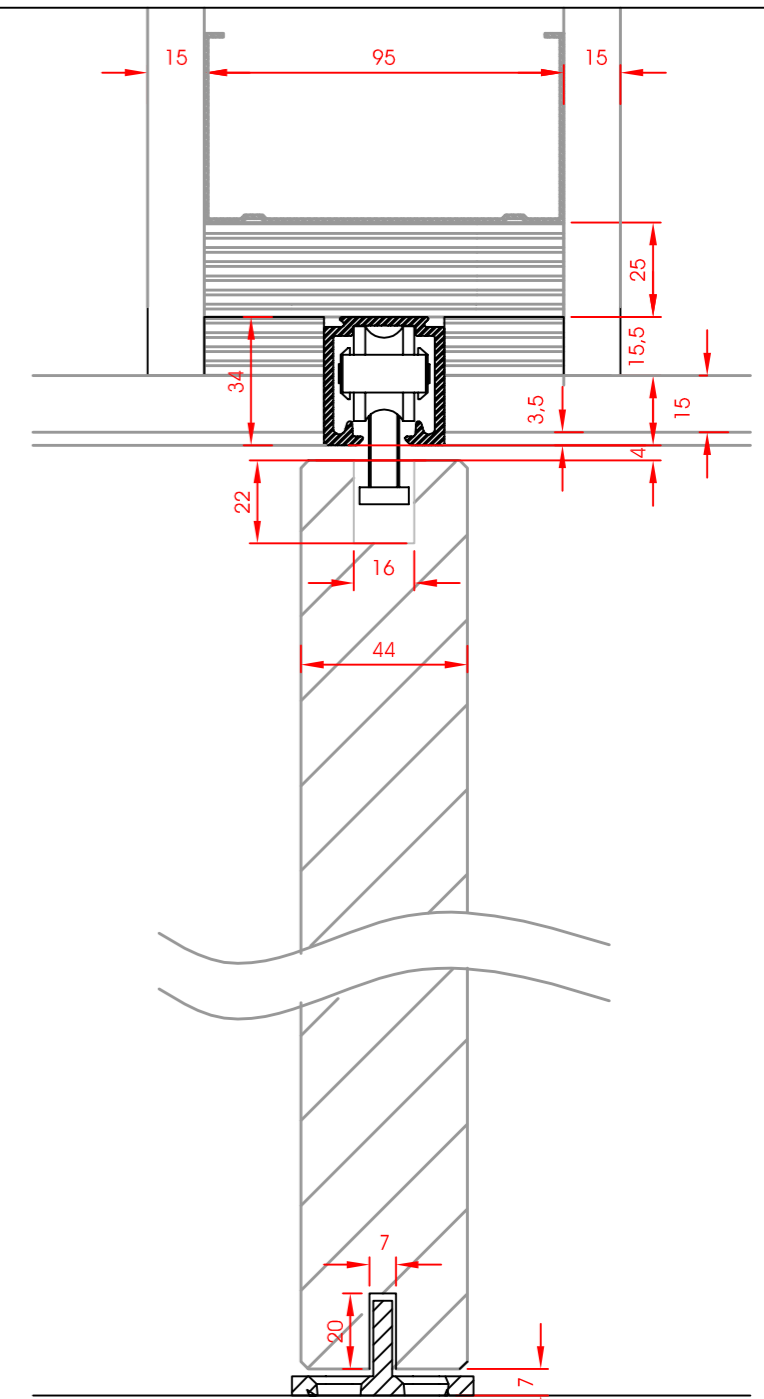


Plan View

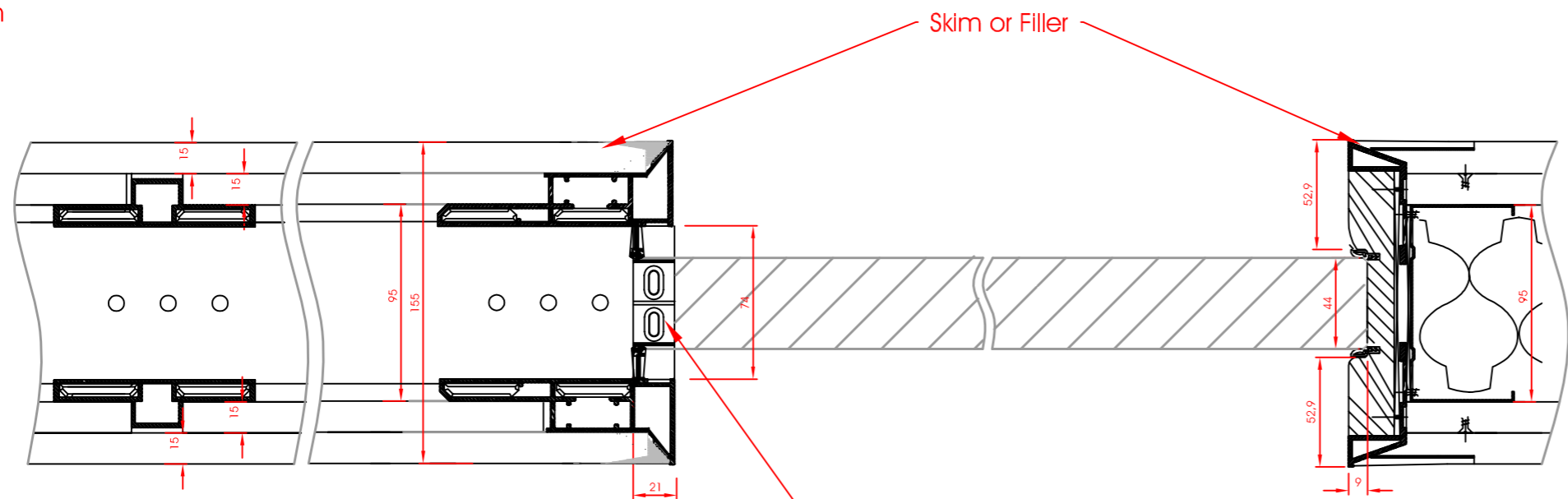
		Notes:		12.5 Double				
		1. Do not scale drawings 2. Site verify all dimensions prior to construction 3. Report all discrepancies to Aspex immediately 4. Read in conjunction with all relevant documents and drawings		TITLE: "Infinite" Timber With 100mm Stud And 12.5mm Double Plasterboard				England and Wales Tel: 0116 278 3506 Scotland and Ireland Tel: 0123 672 0061
REV:	COMMENT:	DATE:		DRAWN BY	DATE:	SCALE	DWG No.	REV.
				IS	FEB 2016	1:2 & 1:20@A3	NS-54122-ALU-00	



Elevation




Vertical Section

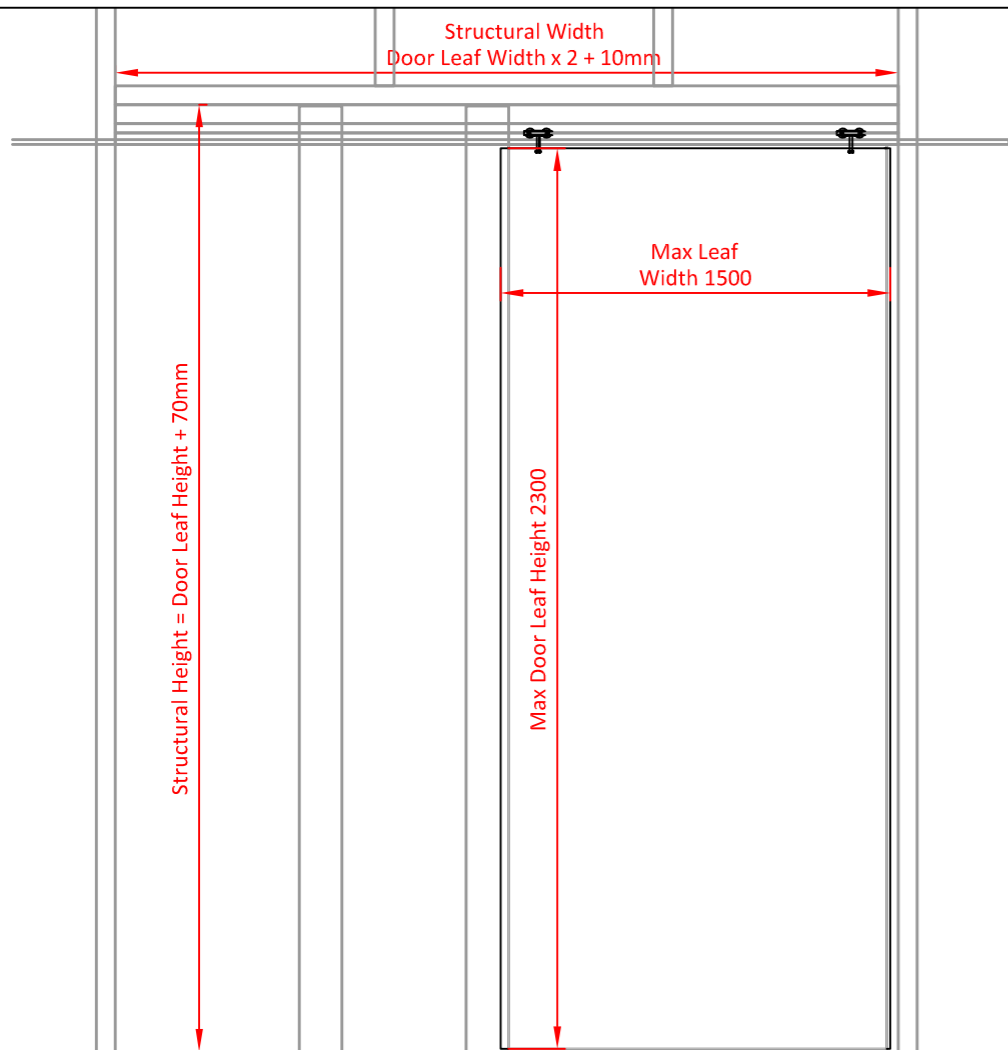


Plan View

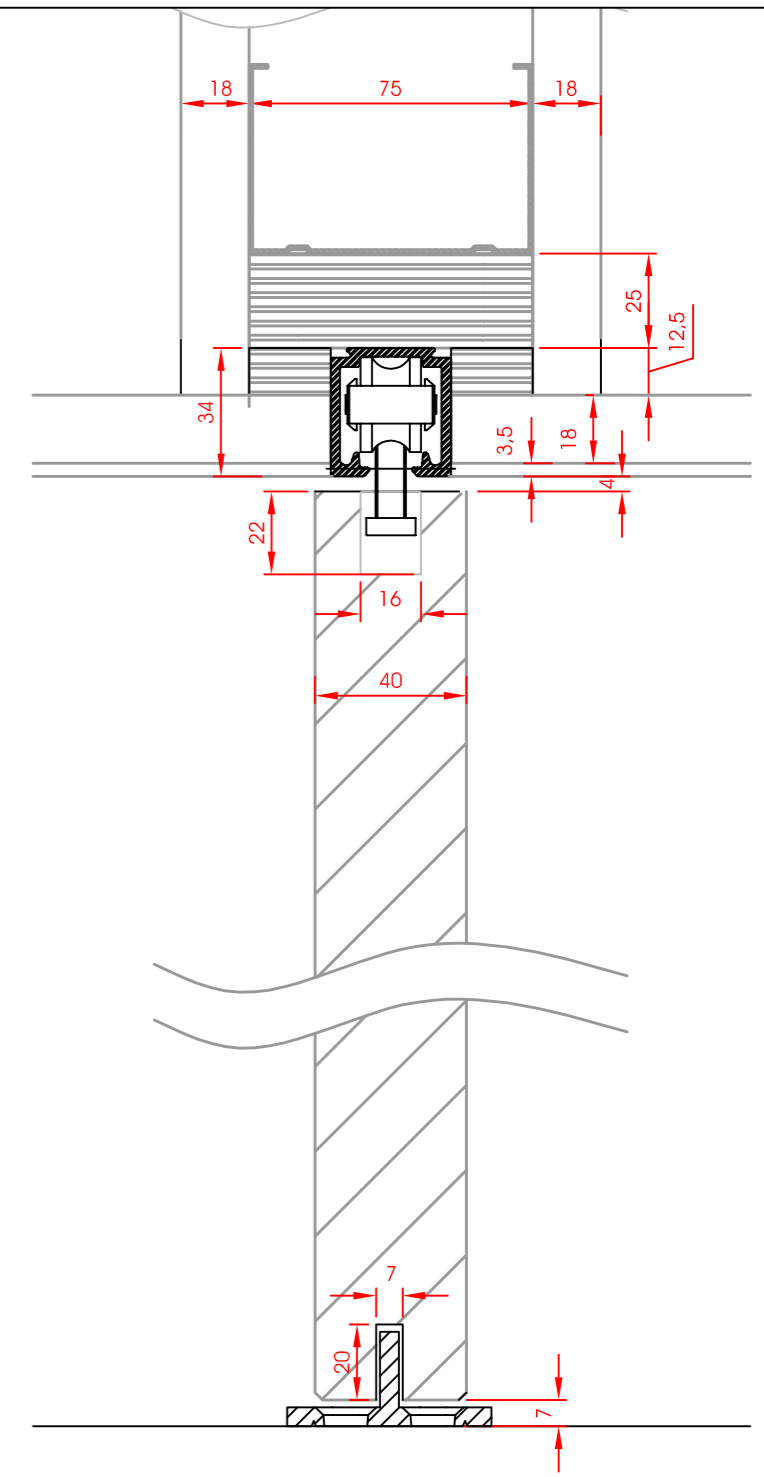
Skim or Filler

Guide

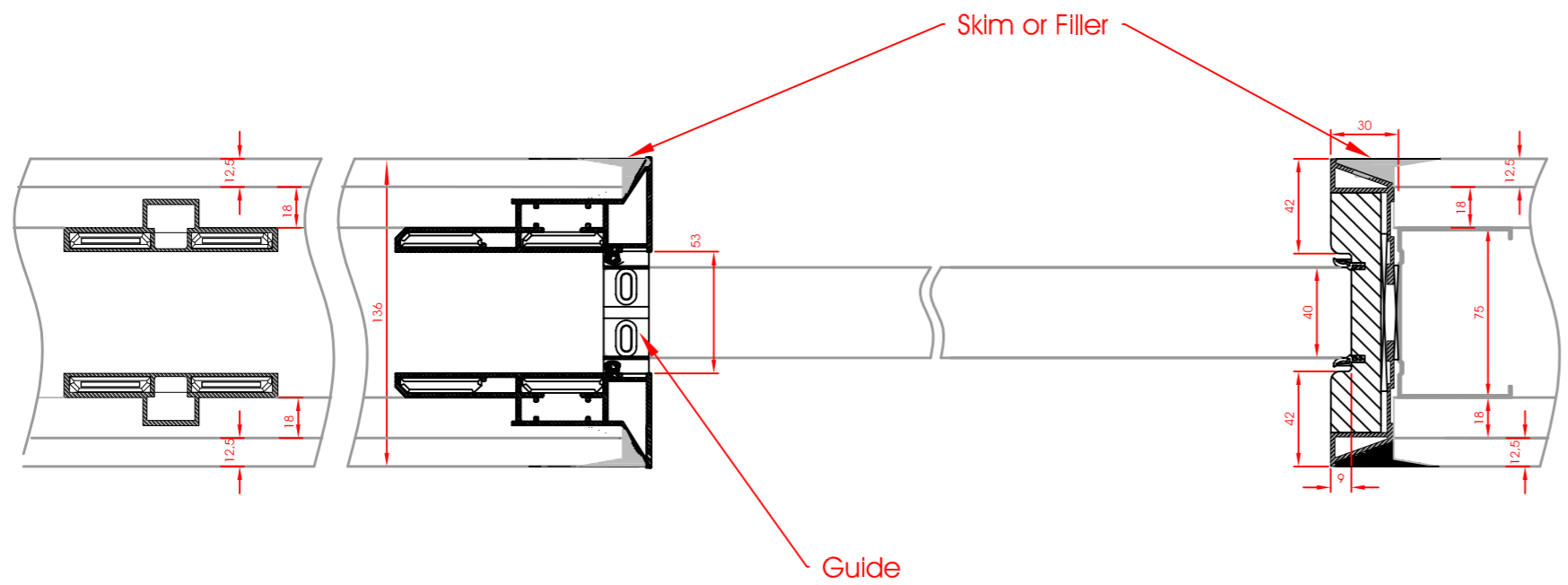
		Notes:		15mm Double Plasterboard		 <p>England and Wales Tel: 0116 278 3506 Scotland and Ireland Tel: 0123 672 0061</p> <p>WEB: www.aspex-uk.co.uk E-MAIL: sales@aspex-uk.co.uk</p>	
		1. Do not scale drawings 2. Site verify all dimensions prior to construction 3. Report all discrepancies to Aspex immediately 4. Read in conjunction with all relevant documents and drawings		TITLE: "Infinite" Timber With 95mm Stud And 95mm Stud with 15mm Single plaster board			
REV:	COMMENT:	DATE:		DRAWN BY	DATE:	SCALE	DWG No.
				IS	FEB 2019	1:2 & 1:20@A3	NS-53232-ALU-00
							REV.




Elevation

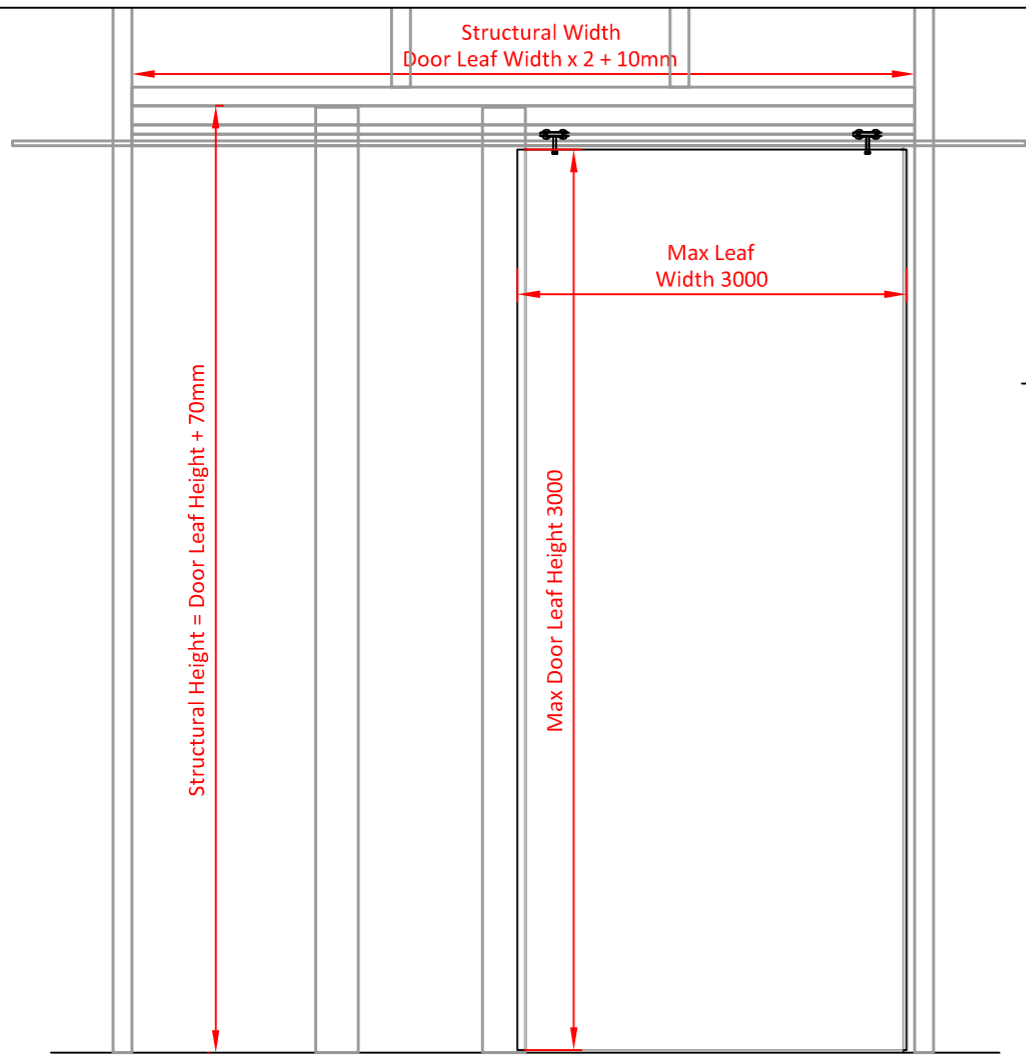


Vertical Section

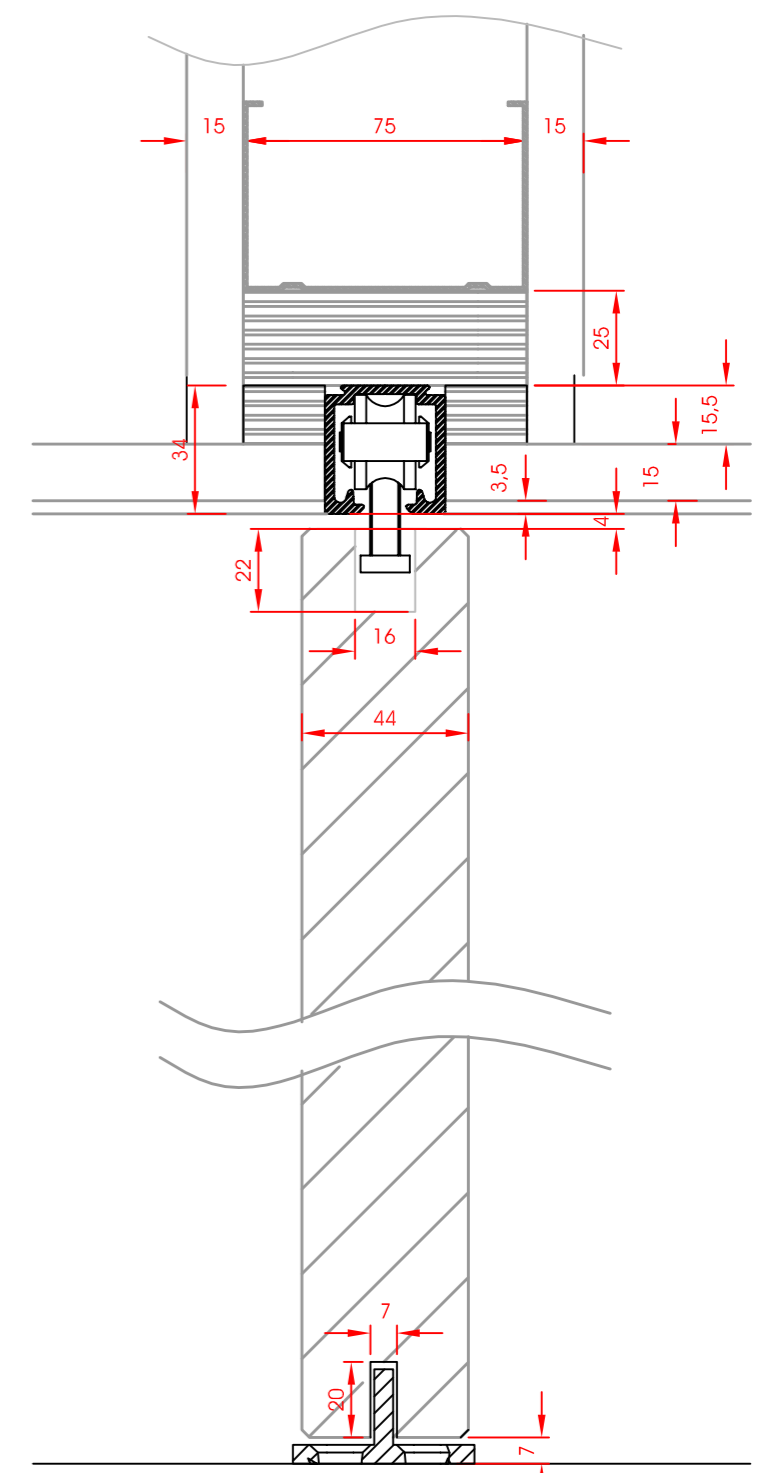


Plan View

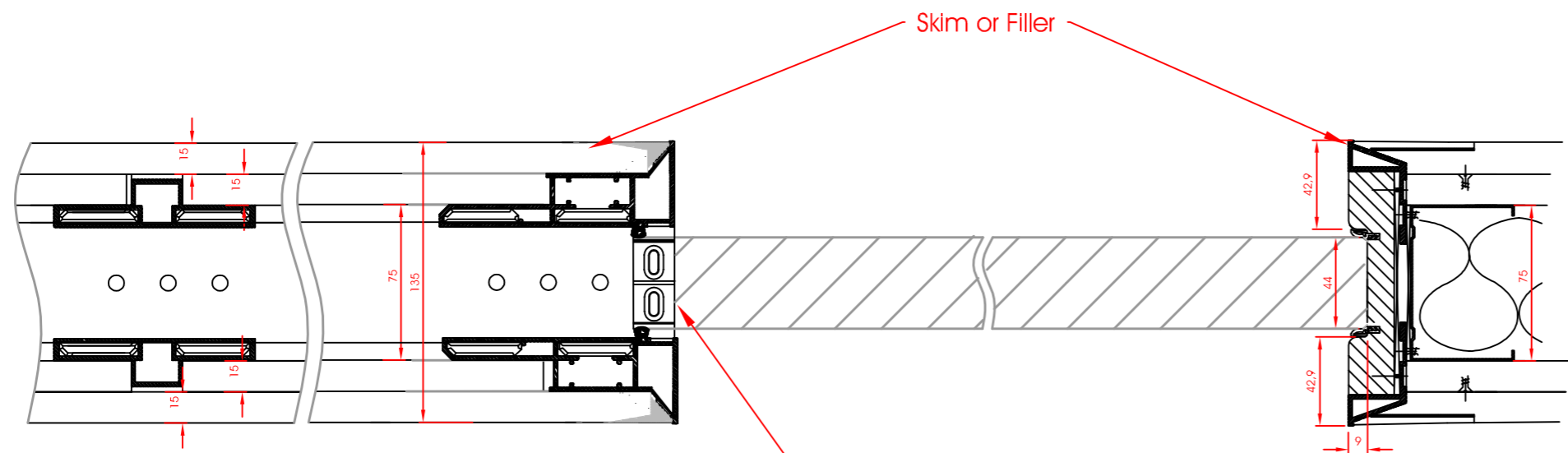
REV:	COMMENT:	DATE:	Notes:	18mm Timber Board & 12.5mm Plasterboard	 <p>England and Wales Tel: 0116 278 3506 Scotland and Ireland Tel: 0123 672 0061</p> <p>WEB: www.aspex-uk.co.uk E-MAIL: sales@aspex-uk.co.uk</p>			
			<ol style="list-style-type: none"> Do not scale drawings Site verify all dimensions prior to construction Report all discrepancies to Aspex immediately Read in conjunction with all relevant documents and drawings 	TITLE: "Infinite" Timber With 75mm Stud And 18mm Timber Board And 12mm Single Plasterboard				
				DRAWN BY IS	DATE: FEB 2019	SCALE 1:2 & 1:20@A3	DWG No. NS-52322-ALU-00	REV.



Elevation



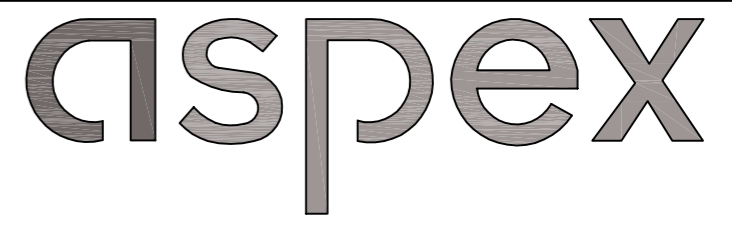
Vertical Section

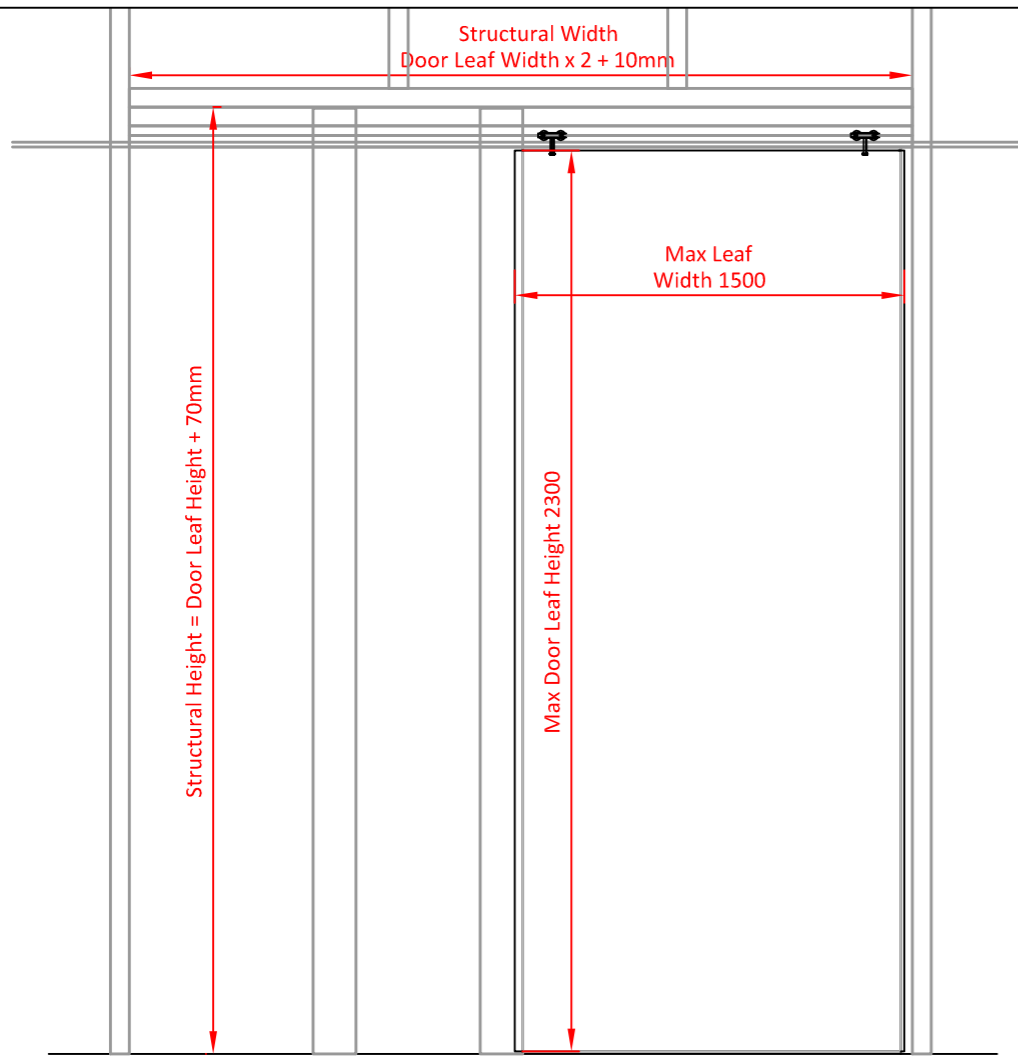


Plan View

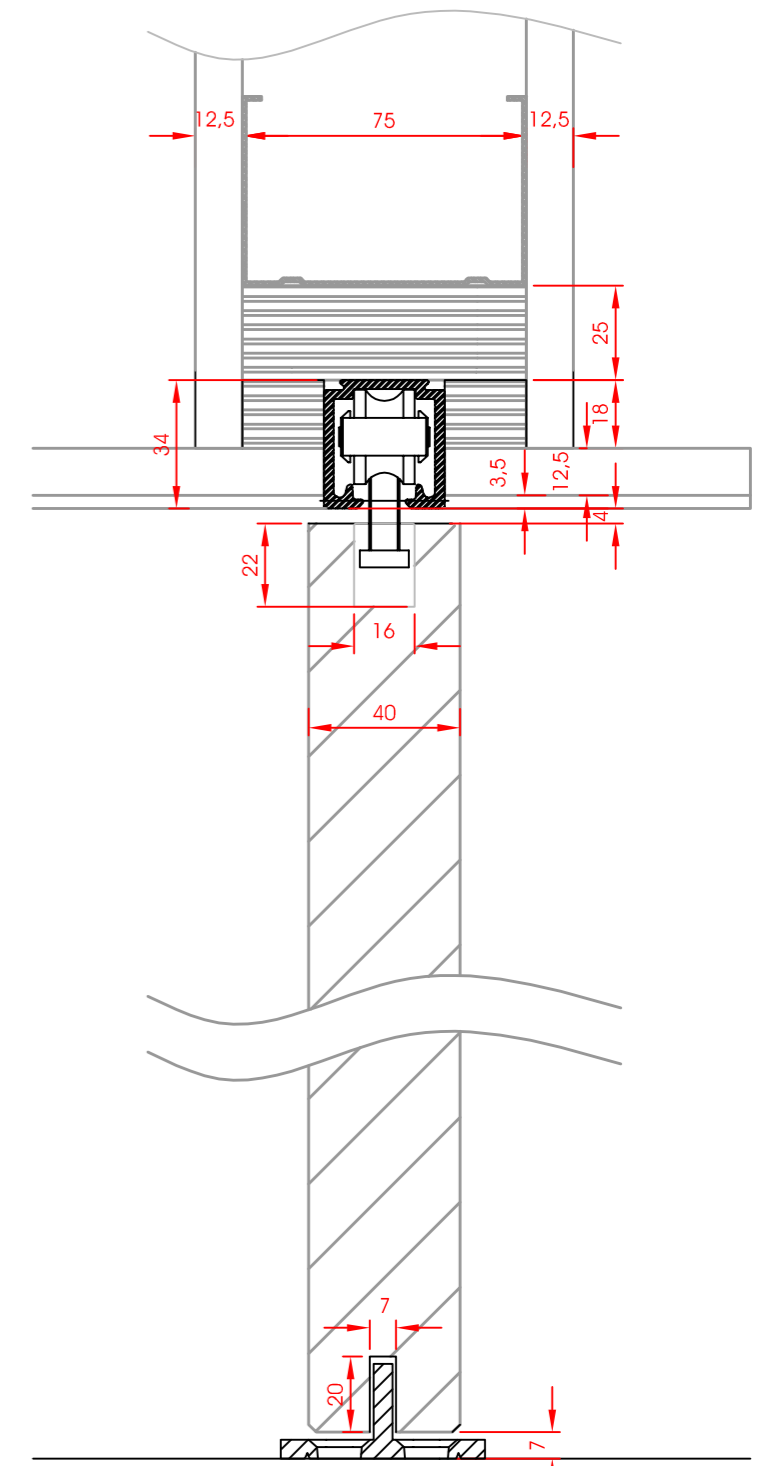
Skim or Filler

Guide

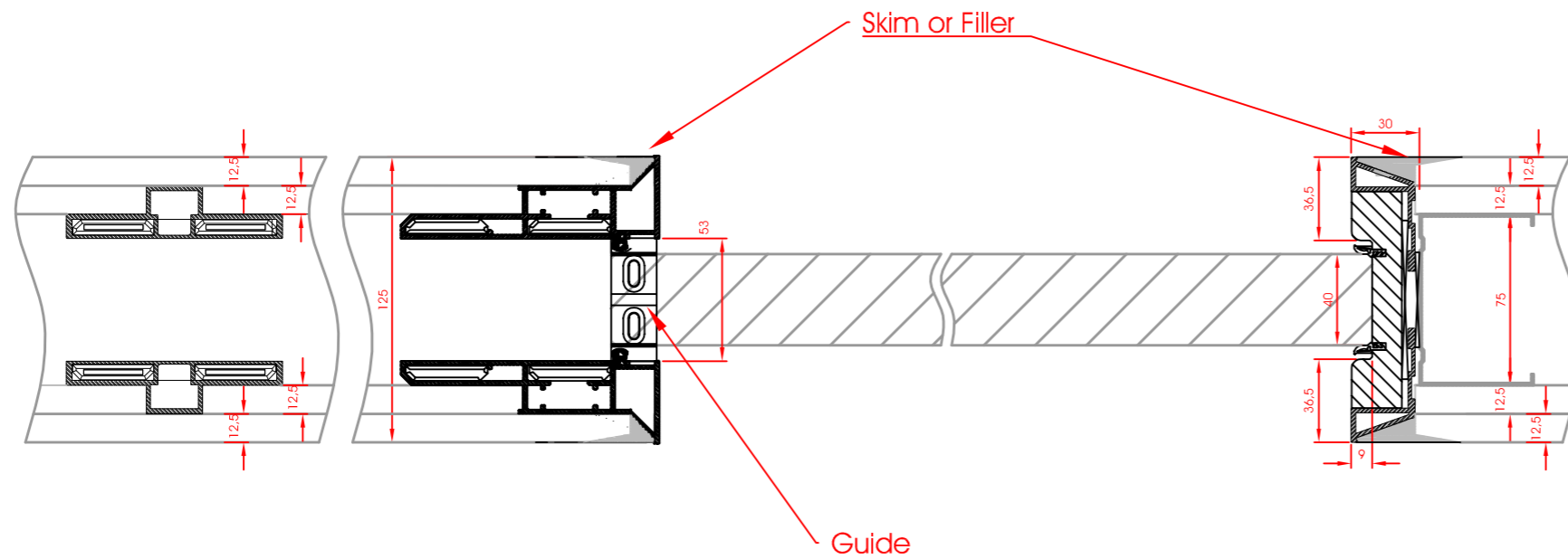
		Notes:		15mm Double		 <p>England and Wales Tel: 0116 278 3506 Scotland and Ireland Tel: 0123 672 0061</p> <p>WEB: www.aspex-uk.co.uk E-MAIL: sales@aspex-uk.co.uk</p>	
		<ol style="list-style-type: none"> Do not scale drawings Site verify all dimensions prior to construction Report all discrepancies to Aspex immediately Read in conjunction with all relevant documents and drawings 		TITLE: "Infinite" Timber With 75mm Stud And 15mm Double Plasterboard			
REV:	COMMENT:	DATE:		DRAWN BY IS	DATE: FEB 2019	SCALE 1:2 & 1:20@A3	DWG No. NS-52222-ALU-00
							REV.




Elevation

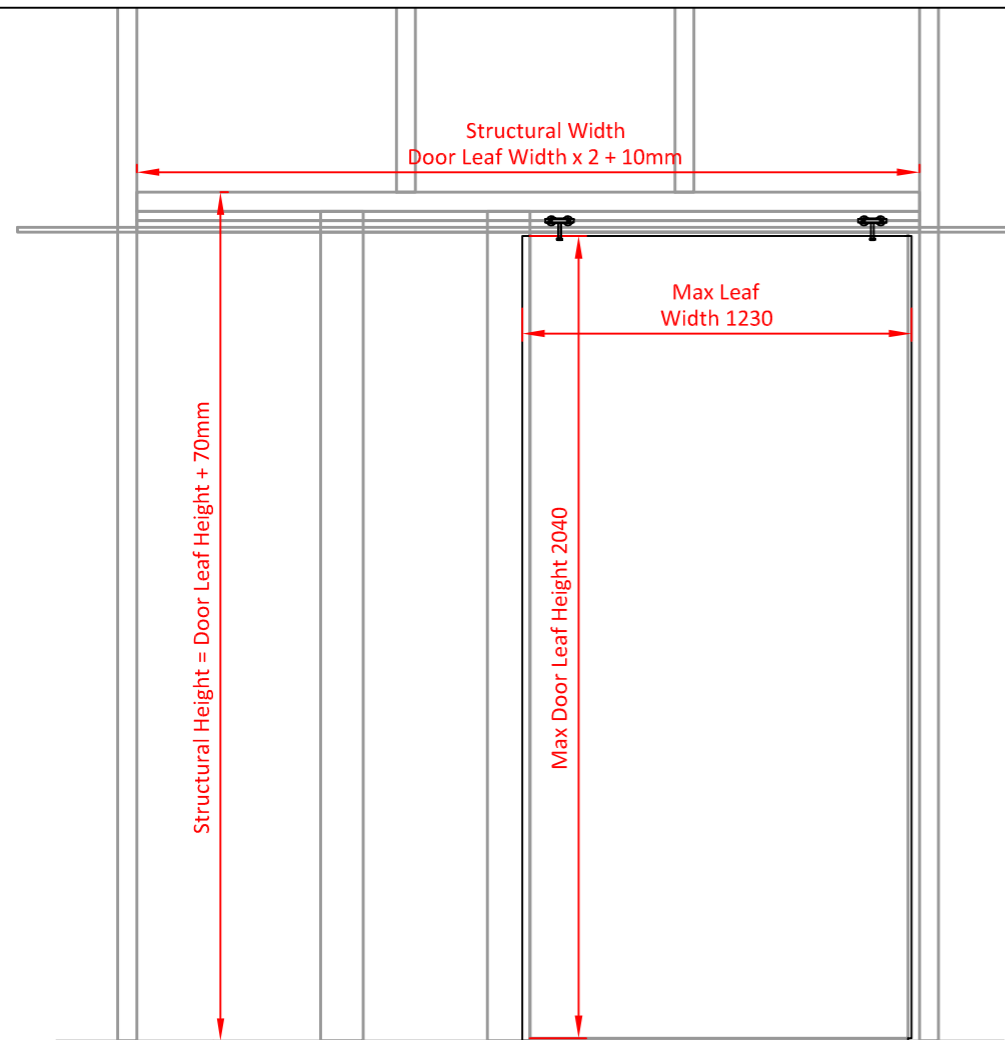


Vertical Section

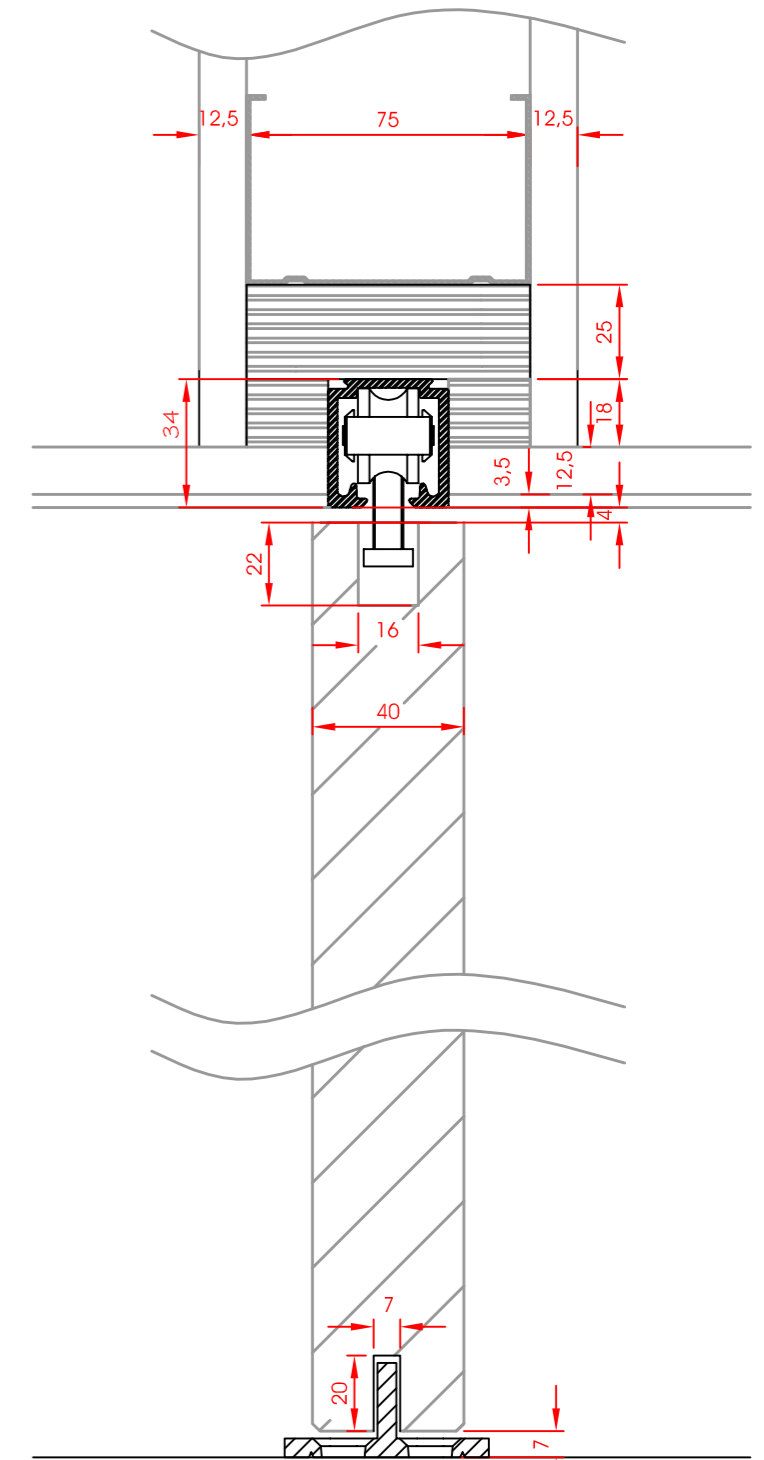


Plan View

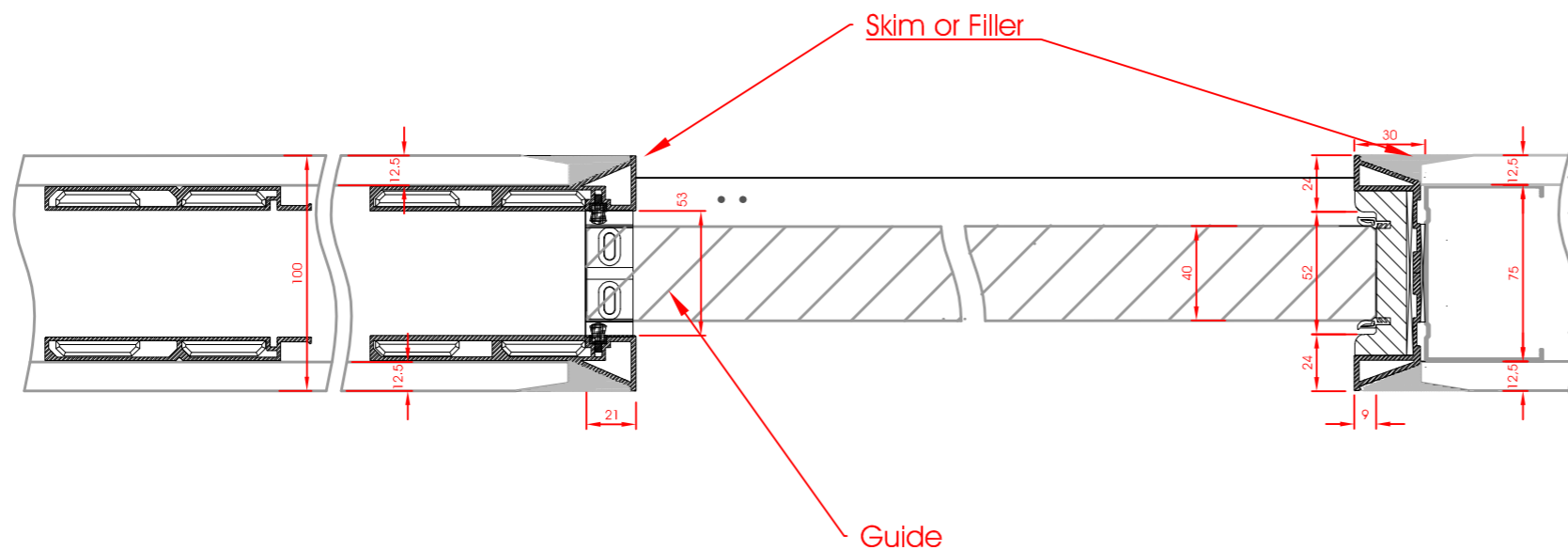
REV:	COMMENT:	DATE:	Notes:	12.5mm Double	 <p>England and Wales Tel: 0116 278 3506 Scotland and Ireland Tel: 0123 672 0061</p> <p>WEB: www.aspex-uk.co.uk E-MAIL: sales@aspex-uk.co.uk</p>
			<p>1. Do not scale drawings</p> <p>2. Site verify all dimensions prior to construction</p> <p>3. Report all discrepancies to Aspex immediately</p> <p>4. Read in conjunction with all relevant documents and drawings</p>	<p>TITLE:</p> <p>"Infinite" Timber With 75mm Stud And 12.5mm Double Plasterboard</p>	
				<p>DRAWN BY: IS</p> <p>DATE: FEB 2019</p> <p>SCALE: 1:2 & 1:20@A3</p>	<p>DWG No. NS-52122-ALU-00</p>
					REV.




Elevation



Vertical Section



Plan View

		Notes:		12.5mm Single		 <p>England and Wales Tel: 0116 278 3506 Scotland and Ireland Tel: 0123 672 0061</p> <p>WEB: www.aspex-uk.co.uk E-MAIL: sales@aspex-uk.co.uk</p>		
		<ol style="list-style-type: none"> 1. Do not scale drawings 2. Site verify all dimensions prior to construction 3. Report all discrepancies to Aspex immediately 4. Read in conjunction with all relevant documents and drawings 		TITLE: "Infinite" Timber With 75mm Stud And 12.5mm Single Plasterboard				
REV:	COMMENT:	DATE:		DRAWN BY IS	DATE: FEB 2019	SCALE 1:2 & 1:20@A3	DWG No. NS-52112-ALU-00	REV.